



Chipsmall Limited consists of a professional team with an average of over 10 year of expertise in the distribution of electronic components. Based in Hongkong, we have already established firm and mutual-benefit business relationships with customers from,Europe,America and south Asia,supplying obsolete and hard-to-find components to meet their specific needs.

With the principle of "Quality Parts,Customers Priority,Honest Operation,and Considerate Service",our business mainly focus on the distribution of electronic components. Line cards we deal with include Microchip,ALPS,ROHM,Xilinx,Pulse,ON,Everlight and Freescale. Main products comprise IC,Modules,Potentiometer,IC Socket,Relay,Connector.Our parts cover such applications as commercial,industrial, and automotives areas.

We are looking forward to setting up business relationship with you and hope to provide you with the best service and solution. Let us make a better world for our industry!



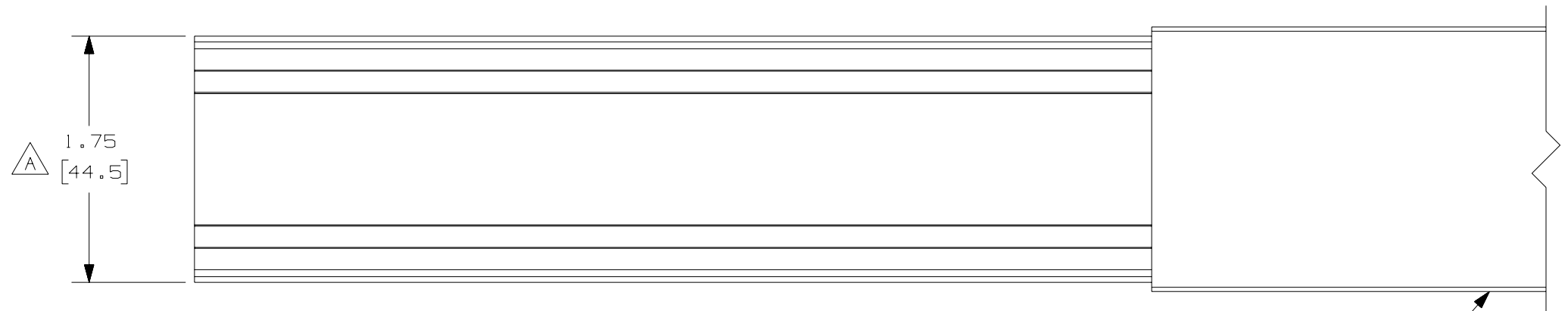
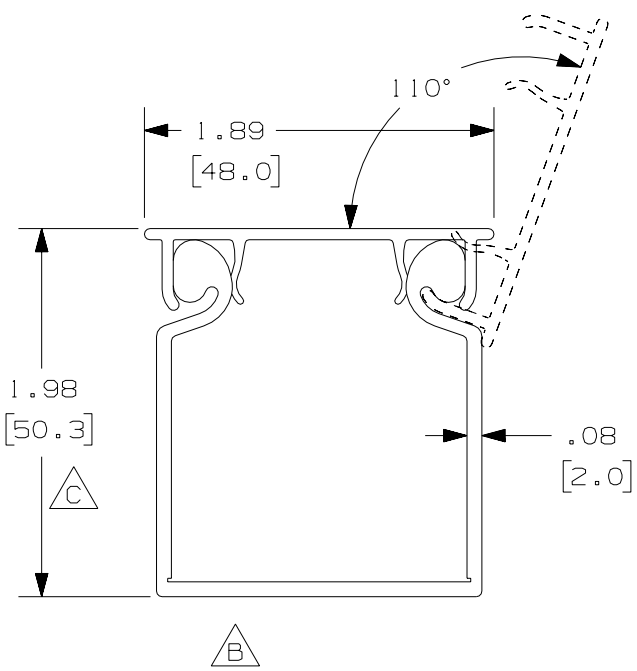
Contact us

Tel: +86-755-8981 8866 Fax: +86-755-8427 6832

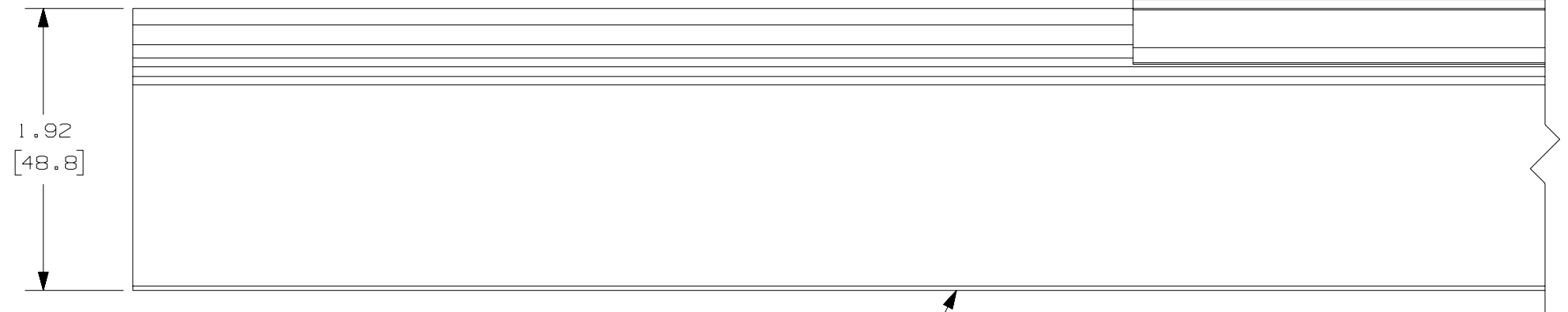
Email & Skype: info@chipsmall.com Web: www.chipsmall.com

Address: A1208, Overseas Decoration Building, #122 Zhenhua RD., Futian, Shenzhen, China





COVER - - PART NUMBER
HC1.5**6



DUCT - - PART NUMBER
HS1.5X2**6NM

△

NOTE.

1. ALL DIMENSIONS ARE REFERENCE ONLY.
2. DIMENSIONS IN PARENTHESES ARE METRIC.
3. THE ** DENOTE COLOR.
4. DUCT AND COVER ARE AVAILABLE IN 6 FT [1828.8] LENGTHS.

				CAD FILENAME/LAYERS D110000Y_DC_00B						
				PANDUIT CORP., TINLEY PARK, ILLINOIS						
				WIRING DUCT - TYPE HS SOLID DUCT 1.5 X 2 (WITH COVER) MARKETING DRAWING						
---	-----	---	--	D. ADDED LENGTH NOTE C. CORRECTED DIMENSION		DRAWN BY JCST	MAT'L: PVC	SCALE FULL	DWG NO.	DWG SIZE
I	8/3/07	JCST	MKBE	B. DELETED DIMENSION A. ADDED DIMENSION		DATE 8/11/05			36897-1068	B
R	8/11/05	JCST	MKBE	DRAWING RELEASED		CHECKED BY MKBE				
REV	DATE	BY	CHK	DESCRIPTION						