



Chipsmall Limited consists of a professional team with an average of over 10 year of expertise in the distribution of electronic components. Based in Hongkong, we have already established firm and mutual-benefit business relationships with customers from,Europe,America and south Asia,supplying obsolete and hard-to-find components to meet their specific needs.

With the principle of “Quality Parts,Customers Priority,Honest Operation,and Considerate Service”,our business mainly focus on the distribution of electronic components. Line cards we deal with include Microchip,ALPS,ROHM,Xilinx,Pulse,ON,Everlight and Freescale. Main products comprise IC,Modules,Potentiometer,IC Socket,Relay,Connector.Our parts cover such applications as commercial,industrial, and automotives areas.

We are looking forward to setting up business relationship with you and hope to provide you with the best service and solution. Let us make a better world for our industry!



Contact us

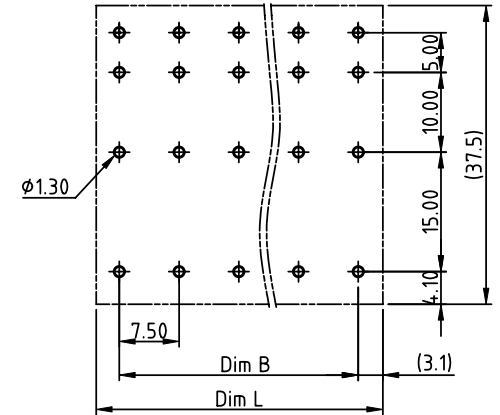
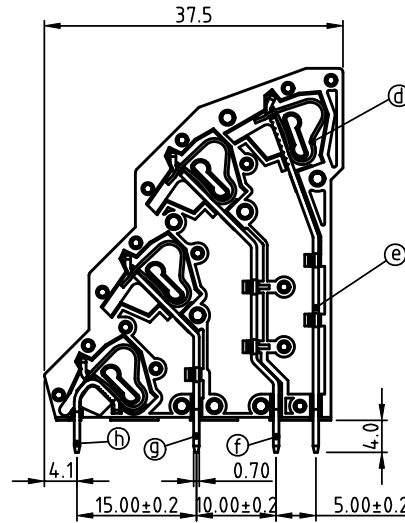
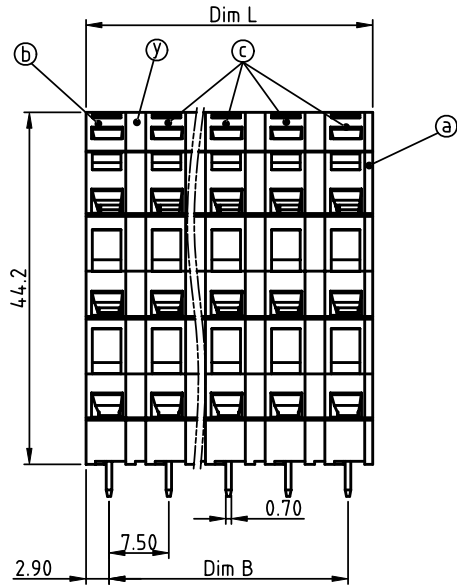
Tel: +86-755-8981 8866 Fax: +86-755-8427 6832

Email & Skype: info@chipsmall.com Web: www.chipsmall.com

Address: A1208, Overseas Decoration Building, #122 Zhenhua RD., Futian, Shenzhen, China



PRODUCT NUMBER	PITCH
HSxx10x000J0G	7.50mm



RECOMMENDED P.C.B LAYOUT
TOP VIEW

Material:

- Item (a) Insulator (Cover): Thermoplastic (UL94V-0)
- Item (b) Insulator (Side housing): Thermoplastic (UL94V-0)
- Item (c) Insulator (Middle housing): Thermoplastic (UL94V-0)
- Item (d) Spring clamp: Stainless steel
- Item (e) Solder Pin (The fourth layer): Brass, Tin plated
- Item (f) Solder Pin (The third layer): Brass, Tin plated
- Item (g) Solder Pin (The second layer): Brass, Tin plated
- Item (h) Solder Pin (The first layer): Brass, Tin plated
- Item (y) Insulator (pad board): Thermoplastic (UL94V-0)

Electrical:

- Voltage rating: cULus 300V
- Current rating: 10A
- Wire range:
- Solid wire (AWG): 12-28
- Stranded wire (AWG): 12-28
- Wire strip length: 6-7mm
- Withstanding Voltage: 1.6KV
- Operating temperature: -40°C to +115°C
- Soldering temperature: 260°C±5°C/5 Sec
- Safety Approval: cULus

N=Number of poles
Dim L=N/4×7.50+1.0
Dim B=(N/4-1)×7.50

Poles	Dim L	Dim B
4×2p-4×4p	±0.15	±0.15
4×5p-4×8p	±0.25	±0.25
4×9p-4×12p	±0.35	±0.30
4×12p-4×16p	±0.45	±0.40

PART NO.: HS xx 10 x 000J0 G

No. of poles	Color	RoHS compliant (lead<4%) In copper Alloy
0	Black (RAL9005)	
2	Red (RAL3001/D)	
3	Orange (RAL2011/P)	
4	Yellow (RAL1018/A)	
5	Green (RAL6018/T)	
6	Blue (RAL5015/A)	
8	Grey (RAL7004/P)	
9	White (RAL1102)	
C	Multiple colors	

mat'l. code		surface ASME Y14.5	tolerance ASME Y14.5	projection	product family
ltr ecn no dr date		tolerances unless otherwise specified		MM	TERMINAL BLOCK
		angles	X.±0.5	scale	title
		fil	X.X±0.3		TERMINAL BLOCK
		X*±1*	X.XX±0.1		SPRING CLAMP, 4SD WIRE INLET, 4-LEVEL, PARALLEL TYPE
		dr	EVIN ZHONG 053014		dwg no
		enr	EVIN ZHONG 053014		sheet 1 of 1
		chr	HANKE FENG 053014		size
		appd	SHI JUN 053014		A4
sheet index		revision	A		type
1		sheet	1		CUSTOMER Drawing