



Chipsmall Limited consists of a professional team with an average of over 10 year of expertise in the distribution of electronic components. Based in Hongkong, we have already established firm and mutual-benefit business relationships with customers from,Europe,America and south Asia,supplying obsolete and hard-to-find components to meet their specific needs.

With the principle of "Quality Parts,Customers Priority,Honest Operation,and Considerate Service",our business mainly focus on the distribution of electronic components. Line cards we deal with include Microchip,ALPS,ROHM,Xilinx,Pulse,ON,Everlight and Freescale. Main products comprise IC,Modules,Potentiometer,IC Socket,Relay,Connector.Our parts cover such applications as commercial,industrial, and automotives areas.

We are looking forward to setting up business relationship with you and hope to provide you with the best service and solution. Let us make a better world for our industry!



## Contact us

Tel: +86-755-8981 8866 Fax: +86-755-8427 6832

Email & Skype: info@chipsmall.com Web: www.chipsmall.com

Address: A1208, Overseas Decoration Building, #122 Zhenhua RD., Futian, Shenzhen, China

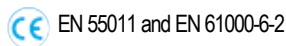


# HS35 Absolute Encoder



Built on the same rugged design as the incremental model, the HS35 Absolute Encoder is available with various output options including Gray Code and Natural Binary. Designed with a cast aluminum housing, a sealed connector and shaft seals, it carries an IP65 environmental rating. With the optional insulating inserts, it can be mounted on smaller diameter shafts. It is designed for either a through shaft mounting or blind shaft mounting with a closed cover to maintain its environmental rating.

The HS35 Absolute Encoder is available with the following certification:



## Electrical Specifications

**Options:** Parallel: NB or GC 12-14 Bits (see Table 1)  
 Serial (S3): 12-16 Bits (see Table 3)  
 Analog: (A1-A5) 12-16 Bits (see Table 2)  
**Counts Per Shaft Turn:** 4096–65536 depending on options  
**Count Transition Accuracy:**  $\pm 1/2$  bit maximum (Consult factory over 13 Bits)  
**Supply Voltage:** 5–28 VDC ; 13-28 VDC for Analog  
**Current Requirements:** 120 mA typical  
**Output Formats:** **Parallel:** Gray Code, Natural Binary, Serial and Analog  
**Voltage/Output:** (see note 2)  
 28V/V: Line Driver, 5–28 VDC in,  $V_{out} = V_{in}$   
 28V/5: Line Driver, 5–28 VDC in,  $V_{out} = 5$  VDC  
 28V/OC: Open Collector, 5–28 VDC in,  $OC_{out}$   
 SSI: 5–28 VDC in/ $5V_{out}$  (consult factory for more information)  
 Analog: A1-A5  
**Protection Level:** Reverse, overvoltage and output short circuit protection  
**Frequency Response:** 500kHz or 6000 RPM (Parallel)  
**Output Termination Pinouts:** see tables  
 For S3 options, reference Spec Addendum 02087-005  
 For A1-A5 options, reference Spec Addendum 02088-002

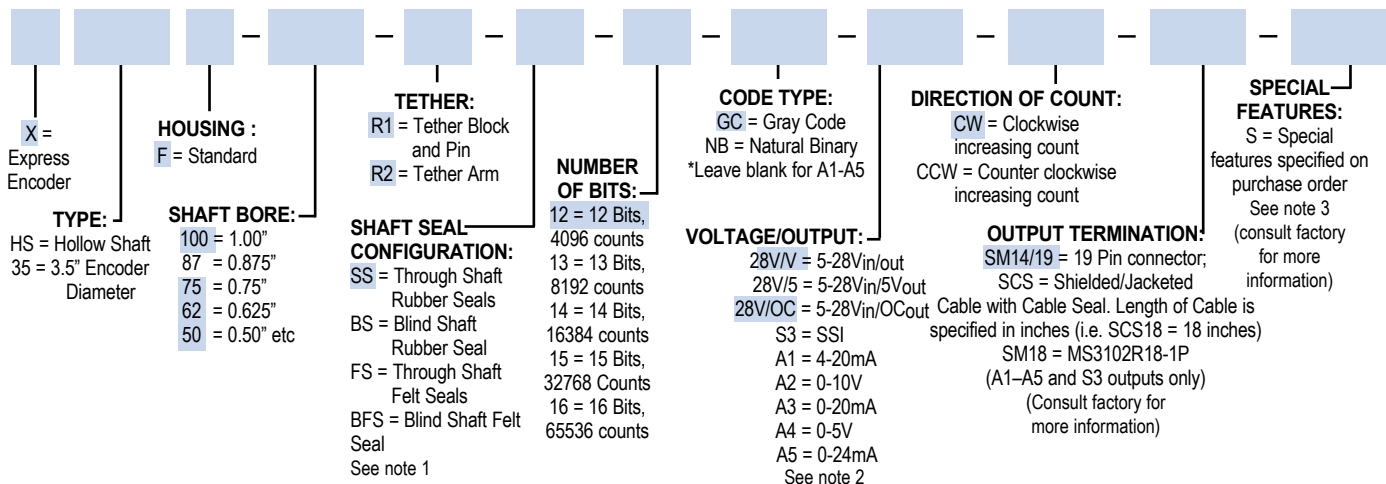
## Mechanical & Environmental Specs

**Shaft Bore:** many diameters from .375 to 1.000 inch are available, including metric. (Consult factory for details)  
**Allowable Misalignment:** 0.005" T.I.R. on mating shaft 0.75" from shaft end  
**Bore Runout:** 0.001 T.I.R. maximum  
**Starting Torque at 25°C:** Through shaft version (SS) = 7 in-oz (max);  
 Blind shaft version (BS) = 4 in-oz max  
**Bearings:** 52100 SAE High carbon steel  
**Shaft Material:** 416 Stainless Steel  
**Bearing Housing:** Die cast aluminum with protective finish  
**Cover:** Die cast aluminum with protective finish  
**Bearing Life:**  $7.5 \times 10^9$  revs (50,000 hours @ 2500 RPM)  
**Maximum RPM:** 6,000 mechanical (see frequency response, above)  
**Moment of Inertia:** 0.019 oz-in-sec<sup>2</sup>  
**Weight:** 18oz typical  
**Temperature:** Operating, 0° to 70°C; Extended temperature ratings are available in the following ranges: -40 to 70°C, -40 to 85°C. Extended temperature ranges can affect other performance factors.  
**NOTES & TABLES:** All notes and tables referred to in the text can be found on pages 2 & 3.

# HS35 Absolute Encoder Ordering Options

FOR ASSISTANCE CALL 800-350-2727

Use this diagram, working from left to right to construct your model number (example: HS35F-100-R1-SS-12GC-28VV-CCW-SM14/19). All notes and tables referred to can be found on the back of this page.



**EXPRESS ENCODERS:** ITEMS HIGHLIGHTED WITH ARE STANDARD EXPRESS ENCODERS AND SHIP IN ONE TO THREE DAYS.

BEI and Express Encoder are registered trademarks of BEI Sensors and Systems Company.



Tel: 805-968-0782 / 800-350-2727 | Fax: 805-968-3154 / 800-960-2726  
 7230 Hollister Ave., Goleta, CA 93117-2807 | [www.beisensors.com](http://www.beisensors.com)

Specification No. 02070-001 Rev.5-14

Table 1: Parallel Output Code and Terminations

PARALLEL Gray or Natural code			TERMINATION	
14 BIT	13 BIT	12 BIT STD.	M14/19 CONN	CABLE COLOR
B13 (MSB)	B12 (MSB)	B11 (MSB)	A	W/BLK
B12	B11	B10	B	W/BRN
B11	B10	B9	C	W/RED
B10	B9	B8	D	W/ORN
B9	B8	B7	E	W/YEL
B8	B7	B6	F	W/GRN
B7	B6	B5	G	W/BLU
B6	B5	B4	H	W/VIO
B5	B4	B3	J	W/GRY
B4	B3	B2	K	WHT
B3	B2	B1	L	GRY/BLK
B2	B1	B0 (LSB)	M	GRY/BRN std
B1	B0 (LSB) OR NC		N	GRY/RED*
OV std. (BO_LSB 14 BIT or Enable, Dir C, latch)			P	GRY/ORN*
Dir Control std. (optional: latch or Enable)			R	ORN*
Case GND			S	GRN
OV RETURN			T	BLK
LATCH std. (optional: DC or Enable)			U	YEL*
+V SUPPLY			V	RED
SHIELD DRAIN			-	BARE
*Optional				

Table 2: Analog Termination and Options

Analog	M18	M14/19	CABLE COLOR
A1,2,3,4 & A5	M18	M14/19	CABLE COLOR
A+ OUT	A	A	YEL
A Return	H	B	W/YEL
Dir Control	C	U	ORN
Reset*	B	C	BLU
OV Return	F	T	BLK
+V Supply	D	V	RED
CASE GND	G	S	GRN
*Optional			

Table 3: SSI Termination

SSI	Termination		
	M18	M14/19	CABLE
DATA+	A	A	YEL
DATA-	H	B	W/YEL
CLK+	B	C	BLU
CLK-	I	D	W/BLU
Dir Control	C	R	ORN
ENABLE*	J	P	W/ORN
OV RETURN	F	T	BLK
+V SUPPLY	D	V	RED
CASE GND	G	S	GRN
SHIELD DRAIN	-	-	BARE
*Optional			

**Ordering SSI :** HOW TO SPECIFY SSI OUTPUT IN THE ENCODER MODEL NUMBER:  
 Example: HS35-100-R2-SS-12-NB-S3-CW-SM18

Direction of Count: Standard is CW increasing when viewed from the shaft end. Pin R is normally HI (or N/C) and is pulled up internally to +V. To reverse the count direction, Pin R must be pulled LO (COMMON).

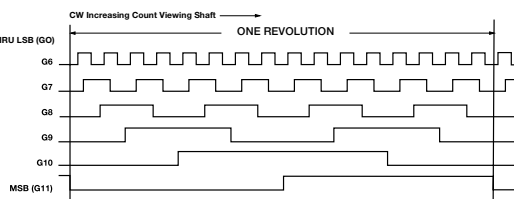
Latch control: Encoder outputs are active and provide continuous parallel position information when Pin U is HI (or N/C). Pin U is pulled up internally to +V. When Pin U is LO (COMMON) the encoder outputs are latched at the logic state that is present when the latch is applied and will stay latched until Pin U is no longer LO (COMMON).

M18 Connector is a MS3102R18-1P, 10-pin connector on the encoder body and mates to an MS3106F18-1S connector or can be used with a standard cable/connector assembly, BEI P/N 924-31186-18XX (Where XX = 10, 20 30 or 50 for a 10, 20, 30, or 50 foot length). This is the preferred connector for SSI output.

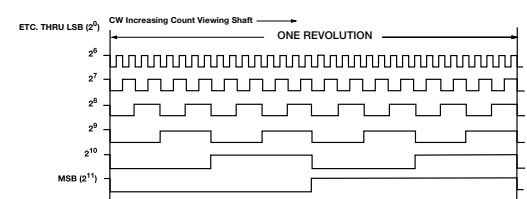
M14/19 Connector is a MS3112E14-19P, 19-pin connector on the encoder body and mates to an MS3116J14-19S or equivalent.

## Figures

**Figure 1**  
Gray Code



**Figure 2**  
Natural Binary



## Dimensions

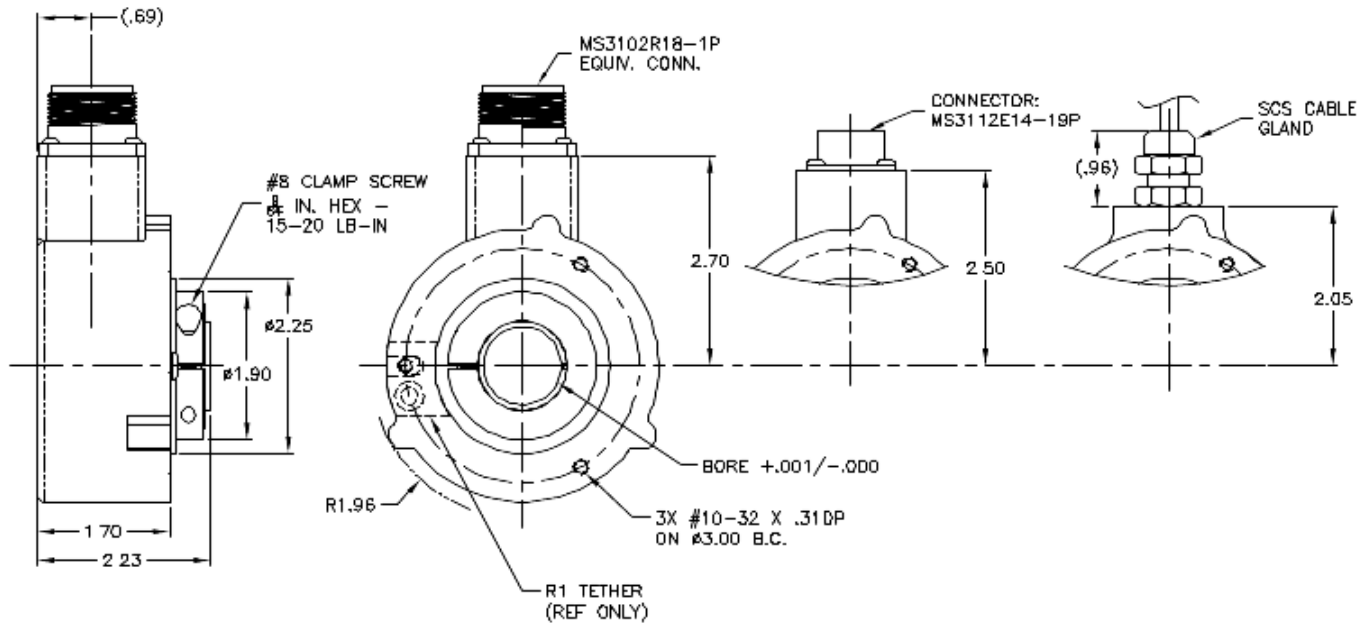
MS Connector Termination

SM18 Conn.

Termination Options

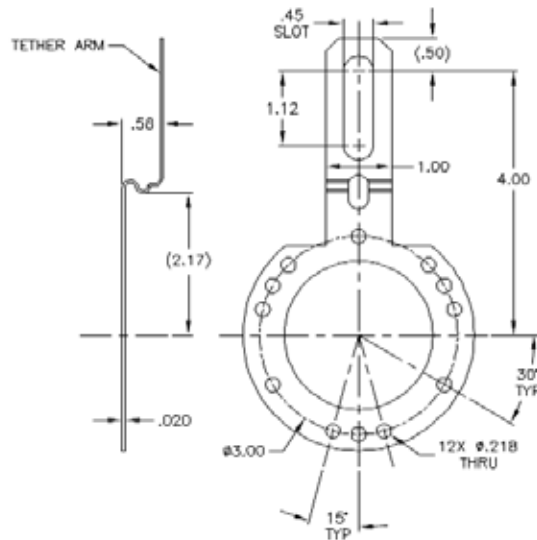
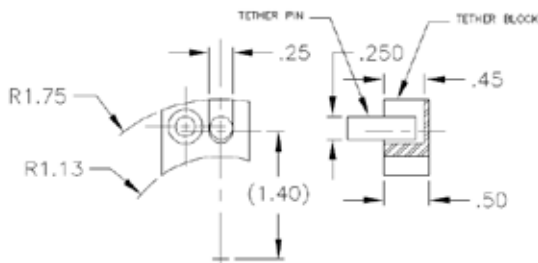
SM14/19 Conn.

SCS CABLE



R1 Tether Block and Pin

R2 Tether Arm



## Notes

1. The rubber shaft seal is recommended in virtually all installations. The most common exceptions are applications requiring a very low starting torque or those requiring operation at both high temperature and high speed. For these exceptions, a felt shaft seal is recommended. Felt seals require very low starting torque and can virtually eliminate frictional heat. Encoders ordered with felt shaft seals will have an enclosure rating of IP50 and will have less than 1/10th the Starting Torque specified under Mechanical Configurations.

2. **Output IC's:** Output IC's are available as either Line Driver (LD) or NPN Open Collector (OC) types. Open Collectors require pull-up resistors, resulting in higher output source impedance (sink impedance is similar to that of line drivers). In general, use of a Line Driver style output is recommended. Line Drivers source or sink current and their lower impedance mean better noise immunity and faster switching times. **Warning:** Do not connect any line driver outputs directly to circuit common/OV, which may damage the driver. Unused outputs should be isolated and left floating. Our applications specialists would be pleased to discuss your system requirements and the compatibility of your receiving electronics with Line Driver type outputs.

**28V/V:** Multi-voltage Line Driver (7272\*): 100 mA source/sink. Input voltage 5 to 28 VDC +/- 5% standard (Note:  $V_{out} = V_{in}$ ). This driver is TTL compatible when used with 5 volt supply. Supply lines are protected against overvoltage to 60 volts and reverse voltage. Outputs are short circuit protected for one minute. Supply current is 120 mA typical (plus load

current). This is the recommended replacement for 3904R and 7406R open collector outputs with internal pullup resistors. It is also a direct replacement for any 4469, 88C30, 8830 or 26LS31 line driver

**13-28VDC:** For Analog

**28V/I:** Multi-voltage Line Driver (7272\*): 100 mA source/sink. Input voltage 5 to 28 VDC +/- 5% standard, internally regulated with 5V (TTL compatible) logic out. Supply lines are protected against overvoltage to 60 volts and reverse voltage. Outputs are short circuit protected for one minute. Supply current is 90 mA typical (plus load current). Note: Limit encoder load to 2.5W max at ambient. Example at 12 VDC:  $2.5W / (+12VDC \text{ minus } +5VDC) = 357 \text{ mA}$  total allowed current. Consult factory for your specific requirements.

**28V/OC:** NPN Open Collector (3904\*, 7273\*). Current sink of 80 mA max. Current sourced by external pull-up resistor. Output can be pulled up to voltage other than supply voltage (30 V max). Input voltage 5 to 28 VDC +/- 5% standard. Supply current is 120 mA typical. This replaces prior IC's with designations of 3904, 7406, 3302, 681 and 689.

3. Special -S at the end of the model number is used to define a variety of non-standard features such as special shaft lengths, voltage options, or special testing. Please consult the factory to discuss your special requirements.

\* Products manufactured prior to April 2007 used the line driver IC number instead of voltage output in model number.