



Chipsmall Limited consists of a professional team with an average of over 10 year of expertise in the distribution of electronic components. Based in Hongkong, we have already established firm and mutual-benefit business relationships with customers from,Europe,America and south Asia,supplying obsolete and hard-to-find components to meet their specific needs.

With the principle of “Quality Parts,Customers Priority,Honest Operation,and Considerate Service”,our business mainly focus on the distribution of electronic components. Line cards we deal with include Microchip,ALPS,ROHM,Xilinx,Pulse,ON,Everlight and Freescale. Main products comprise IC,Modules,Potentiometer,IC Socket,Relay,Connector.Our parts cover such applications as commercial,industrial, and automotives areas.

We are looking forward to setting up business relationship with you and hope to provide you with the best service and solution. Let us make a better world for our industry!



Contact us

Tel: +86-755-8981 8866 Fax: +86-755-8427 6832

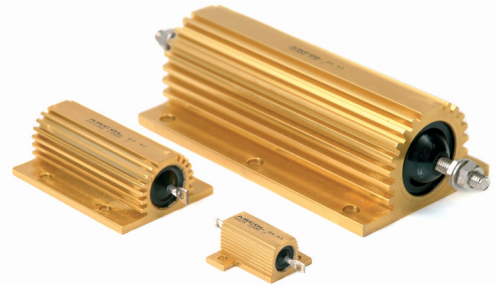
Email & Skype: info@chipsmall.com Web: www.chipsmall.com

Address: A1208, Overseas Decoration Building, #122 Zhenhua RD., Futian, Shenzhen, China



Manufactured in line with the requirements of MIL 18546 and IEC 115, designed for direct heatsink mounting with thermal compound to achieve maximum performance.

- High Power to volume
- Wound to maximise High Pulse Capability
- Values from R005 to 100K
- Custom designs welcome
- RoHS Compliant

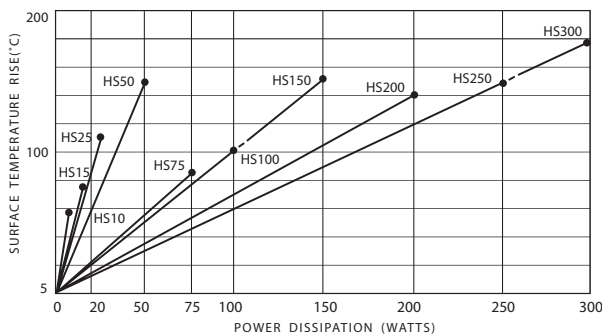


Characteristics

| | |
|------------------------------------|--|
| Tolerance (Code): | Standard $\pm 5\%$ (J) and $\pm 10\%$ (K). Also available $\pm 1\%$ (F), $\pm 2\%$ (G) and $\pm 3\%$ (H) |
| Tolerance for low Ω values: | Typically $\geq R05 \pm 5\% \leq R047 \pm 10\%$ |
| Temperature coefficients: | Typical values $< 1K$ 100ppm Std. $> 1K$ 25ppm Std. For lower TCR's please contact Arcol |
| Insulation resistance (Dry): | 10,000 M Ω minimum |
| Power dissipation: | At high ambient temperature dissipation derates linearly to zero at 200°C |
| Ohmic values: | From R005 to 100K depending on wattage size |
| Low inductive (NHS): | Specify by adding N before HS Series code, e.g. NHS50 |
| NHS ohmic value: | Divide standard HS maximum value by 4 |
| NHS working volts: | Divide standard HS maximum working voltage by 1.414 |

Temp. Rise & Power Dissipation

Surface temperature of resistor related to power dissipation. The resistor is standard heatsink mounted using a proprietary heatsink compound.



Heat Dissipation

Heat dissipation: Whilst the use of proprietary heat sinks with lower thermal resistances is acceptable, uprating is not recommended. For maximum heat transfer it is recommended that a heat sink compound be applied between the resistor base and heat sink chassis mounting surface. It is essential that the maximum hot spot temperature of 200°C is not exceeded, therefore, the resistor must be mounted on a heat sink of correct thermal resistance for the power being dissipated.

Ordering Procedure

Standard Resistor. To specify standard: Series, Watts, Ohmic Value, Tolerance Code, e.g.: HS25 2R2 J

Non Inductive Resistor. To specify add N, e.g.: NHS100 10R J

ARCOL UK Limited,
Threemilestone Ind. Estate,
Truro, Cornwall, TR4 9LG, UK.
T +44 (0) 1872 277431
F +44 (0) 1872 222002
E sales@arcolresistors.com

The information contained herein does not form part of a contract and is subject to change without notice. ARCOL operate a policy of continual product development, therefore, specifications may change.

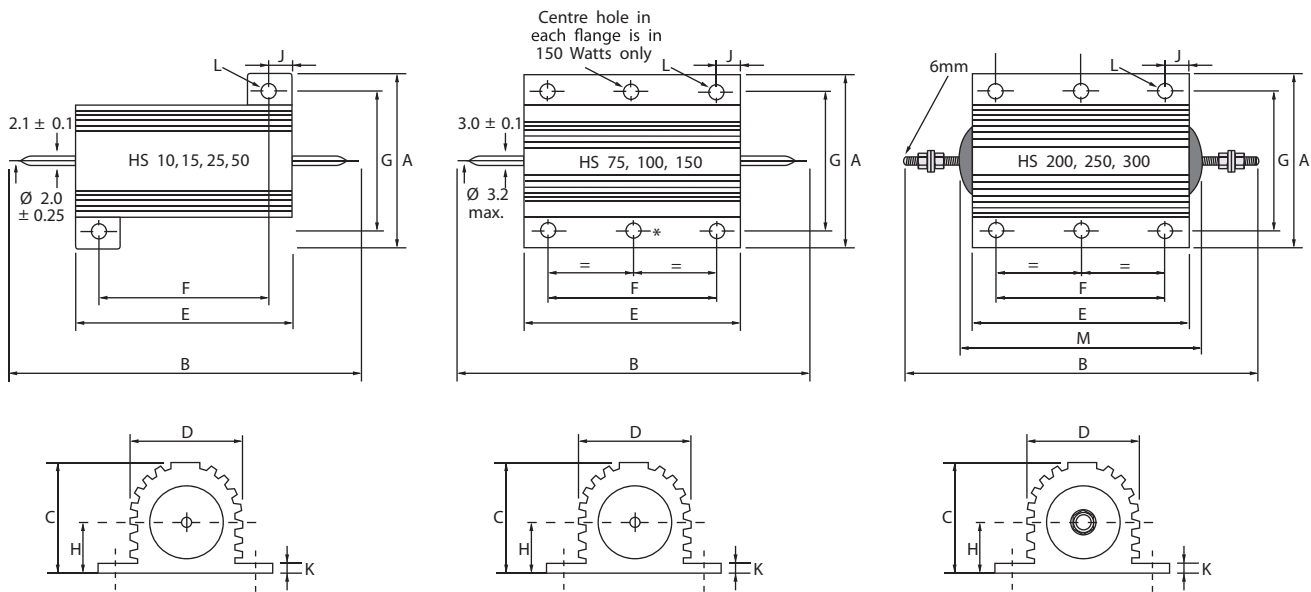
It is the responsibility of the customer to ensure that the component selected from our range is suitable for the intended application. If in doubt please ask ARCOL.

For more information and ordering, please consult
www.arcolresistors.com

Electrical Specifications

| Size | Style MIL-R 18546 | Power rating on std. heatsink @25°C | Watts with no heatsink @25°C | Resistance range | Limiting element voltage | Voltage proof AC Peak | Voltage proof AC rms. | Approx weight gms | Typical surface rise HS mounted | Standard heatsink | |
|-------|-------------------|-------------------------------------|------------------------------|------------------|--------------------------|-----------------------|-----------------------|-------------------|---------------------------------|-------------------|--------------|
| | | | | | | | | | | cm ² | Thickness mm |
| HS10 | RE 60 | 10 | 5 | R005-10K | 160 | 1400 | 1000 | 4 | 5.8 | 415 | 1 |
| HS15 | RE 65 | 15 | 7 | R005-10K | 265 | 1400 | 1000 | 7 | 5.1 | 415 | 1 |
| HS25 | RE 70 | 25 | 9 | R005-36K | 550 | 3500 | 2500 | 14 | 4.2 | 535 | 1 |
| HS50 | RE 75 | 50 | 14 | R01-86K | 1250 | 3500 | 2500 | 32 | 3.0 | 535 | 1 |
| HS75 | | 75 | 24 | R01-50K | 1400 | 6363 | 4500 | 85 | 1.1 | 995 | 3 |
| HS100 | | 100 | 30 | R01-70K | 1900 | 6363 | 4500 | 115 | 1.0 | 995 | 3 |
| HS150 | | 150 | 45 | R01-100K | 2500 | 6363 | 4500 | 175 | 1.0 | 995 | 3 |
| HS200 | | 200 | 50 | R01-50K | 1900 | 7070 | 5000 | 475 | 0.7 | 3750 | 3 |
| HS250 | | 250 | 55 | R01-50K | 2200 | 7070 | 5000 | 600 | 0.6 | 4765 | 3 |
| HS300 | | 300 | 60 | R01-68K | 2500 | 7070 | 5000 | 700 | 0.6 | 5780 | 3 |

HS10-HS300 Standard Resistor



Dimensions (mm)

| Size | A Max | B Max | C Max | D Max | E Max | F±0.3 | G±0.3 | H Max | J Max | K Max | L ±0.25* | M Max |
|-------|-------|-------|-------|-------|-------|-------|-------|-------|-------|-------|----------|-------|
| HS10 | 16.5 | 30.0 | 8.8 | 8.5 | 15.9 | 11.3 | 12.4 | 4.5 | 2.4 | 1.8 | 2.4 | |
| HS15 | 21.0 | 36.5 | 11.0 | 11.2 | 19.9 | 14.3 | 15.9 | 5.5 | 2.8 | 1.8 | 2.4 | |
| HS25 | 28.0 | 51.0 | 14.8 | 14.2 | 27.3 | 18.3 | 19.8 | 7.7 | 5.2 | 2.6 | 3.2 | |
| HS50 | 28.0 | 72.5 | 14.8 | 14.2 | 49.1 | 39.7 | 21.4 | 8.4 | 5.2 | 2.6 | 3.2 | |
| HS75 | 47.5 | 72.0 | 24.1 | 27.3 | 48.7 | 29.0 | 37.0 | 11.8 | 10.4 | 3.7 | 4.4 | |
| HS100 | 47.5 | 88.0 | 24.1 | 27.3 | 65.2 | 35.0 | 37.0 | 11.8 | 15.4 | 3.7 | 4.4 | |
| HS150 | 47.5 | 121.0 | 24.1 | 27.3 | 97.7 | 58.0 | 37.0 | 11.8 | 20.4 | 3.7 | 4.4 | |
| HS200 | 72.5 | 145.7 | 41.8 | 45.5 | 89.7 | 70.0 | 57.2 | 20.5 | 10.4 | 5.5 | 5.1 | 103.4 |
| HS250 | 72.5 | 167.0 | 41.8 | 45.5 | 109.7 | 89.0 | 57.2 | 20.5 | 10.4 | 5.5 | 5.1 | 122.4 |
| HS300 | 72.5 | 184.4 | 41.8 | 45.5 | 127.7 | 104.0 | 59.0 | 20.5 | 12.4 | 5.5 | 6.6 | 141.4 |

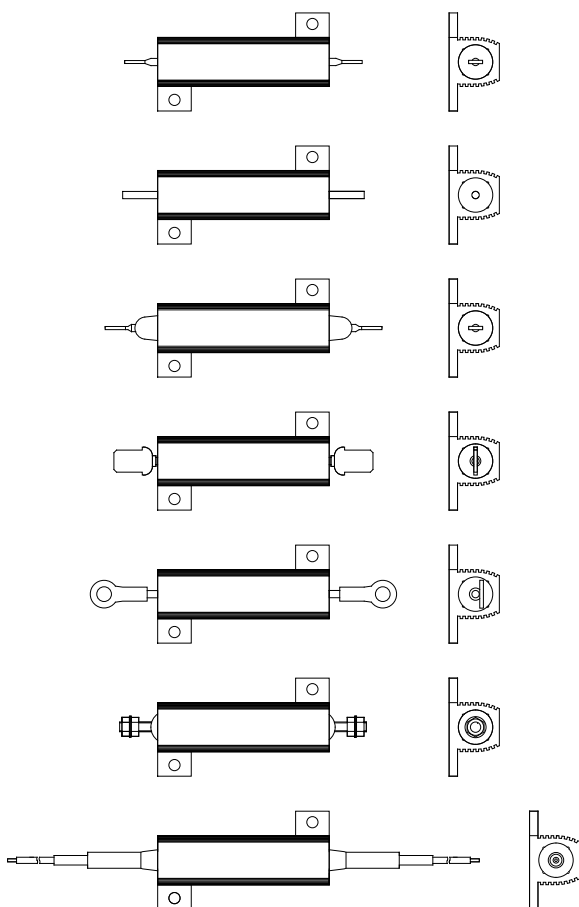
* HS200-HS300 Watts is ± 0.45

HS Series Resistor Terminations



The HS Range of Aluminium Housed Resistors has been designed for a variety of solder, cable, threaded and fast on terminations. If you need a special termination design for your application, please contact us for advice.

For electrical and mechanical specifications please refer to HS Series datasheet - Aluminium Housed Power Resistors.



HS ___ - Standard Pressed Termination
Available on HS10-50, 75-150

HS ___ J - Unpressed Termination
Available on HS10-50, 75-150

HS ___ X - Extended Mouldings
To increase creepage and strike distance between terminal and housing. Available on HS10-50, HS75-150
Also available on HS200-300 E6 using stud mounted resin disk

HS ___ M - 6.35mm Spade Termination
Amp style push on connection
Available on HS10-50, HS75-150

HS ___ Drawing No. - Attached Termination To Drawing
Available on HS10-50, HS75-150

HS ___ E - Threaded Stud Termination
Available on HS25-50 E3, HS75-150 E4 or E6, HS200-300 E6

HS ___ F - Leaded Termination
Leads fitted and insulated externally after moulding
Available with standard lead lengths on HS10-50 150mm, HS75-150 150mm, HS200-300 300mm
Extra length available on request at extra charge

For other special terminations, high voltage, low inductance windings, water cooled type HSW600 etc. please contact Arcol sales.

ARCOL UK Limited,
Threemilestone Ind. Estate,
Truro, Cornwall, TR4 9LG, UK.
T +44 (0) 1872 277431
F +44 (0) 1872 222002
E sales@arcolresistors.com

www.arcolresistors.com

The information contained herein does not form part of a contract and is subject to change without notice. Arcol operate a policy of continual product development, therefore, specifications may change.

It is the responsibility of the customer to ensure that the component selected from our range is suitable for the intended application. In doubt please ask Arcol.