



Chipsmall Limited consists of a professional team with an average of over 10 year of expertise in the distribution of electronic components. Based in Hongkong, we have already established firm and mutual-benefit business relationships with customers from,Europe,America and south Asia,supplying obsolete and hard-to-find components to meet their specific needs.

With the principle of “Quality Parts,Customers Priority,Honest Operation,and Considerate Service”,our business mainly focus on the distribution of electronic components. Line cards we deal with include Microchip,ALPS,ROHM,Xilinx,Pulse,ON,Everlight and Freescale. Main products comprise IC,Modules,Potentiometer,IC Socket,Relay,Connector.Our parts cover such applications as commercial,industrial, and automotives areas.

We are looking forward to setting up business relationship with you and hope to provide you with the best service and solution. Let us make a better world for our industry!



## Contact us

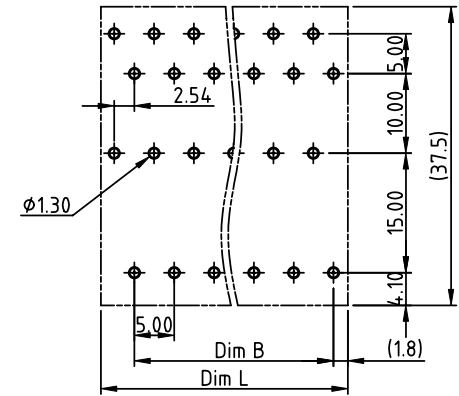
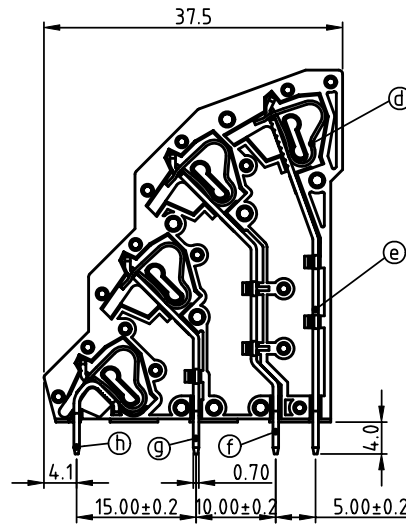
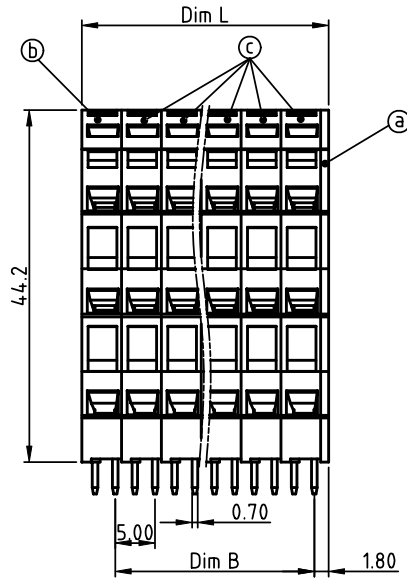
Tel: +86-755-8981 8866 Fax: +86-755-8427 6832

Email & Skype: info@chipsmall.com Web: www.chipsmall.com

Address: A1208, Overseas Decoration Building, #122 Zhenhua RD., Futian, Shenzhen, China



PRODUCT NUMBER	PITCH
HSxx00x100J0G	5.00mm



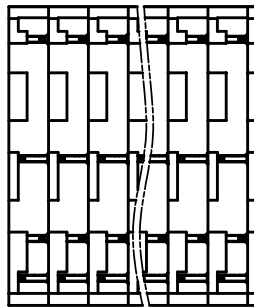
RECOMMENDED P.C.B LAYOUT  
TOP VIEW

Material:

- Item a Insulator(Cover): Thermoplastic (UL94V-0)
- Item b Insulator(Side housing): Thermoplastic (UL94V-0)
- Item c Insulator(Middle housing): Thermoplastic (UL94V-0)
- Item d Spring clamp: Stainless steel
- Item e Solder Pin (The fourth layer) : Brass, Tin plated
- Item f Solder Pin (The third layer) : Brass, Tin plated
- Item g Solder Pin (The second layer) : Brass, Tin plated
- Item h Solder Pin (The first layer) : Brass, Tin plated

Electrical:

- cULus
- Voltage rating: 300V
- Current rating: 10A
- Wire range:
- Solid wire(AWG): 12-28
- Stranded wire(AWG): 12-28
- Wire strip length: 6-7mm
- Withstanding Voltage: 1.6KV
- Operating temperature: -40°C to +115°C
- Soldering temperature: 260°C±5°C/5 Sec
- Safety Approval:



N=Number of poles  
Dim L=N/4×5.0+1.0  
Dim B=(N/4-1)×5.0

Poles	Dim L	Dim B
4×1p	±0.10	
4×2p-4×6p	±0.15	±0.15
4×7p-4×12p	±0.25	±0.25
4×13p-4×18p	±0.35	±0.30
4×19p-4×24p	±0.45	±0.40

PART NO.: HS xx 00 x 100J0 G

	No. of poles	Color	RoHS compliant (lead<4%) In copper Alloy
	0	Black (RAL9005)	
End Stackable	2	Red (RAL3001/D)	
04 4x1 poles	3	Orange(RAL2011/P)	
08 4x2 poles	4	Yellow(RAL1018/A)	
...	5	Green(RAL6018/T)	
96 4x24 poles	6	Blue (RAL5015/A)	
	8	Grey(RAL7004/P)	
	9	White(RAL1102)	
	C	Multiple colors	

mat'l. code		surface ASME Y14.5	tolerance ASME Y14.5	projection	product family		
ltr ecn no dr date		tolerances unless otherwise specified			TERMINAL BLOCK		
angles		X.±0.5	X.X±0.3	MM	title		
X'±1"		X.XX±0.1		scale	TERMINAL BLOCK SPRING CLAMP,45D WIRE INLET,4-LEVEL, INTERLACE TYPE		
dr	EVIN ZHONG	053014			dwg no	sheet 1 of 1	size
enr	EVIN ZHONG	053014			HSxx00x100J0G	A4	
chr	HANKE FENG	053014					
appd	SHI JUN	053014			type	CUSTOMER Drawing	
sheet index	revision sheet	A	1				