



Chipsmall Limited consists of a professional team with an average of over 10 year of expertise in the distribution of electronic components. Based in Hongkong, we have already established firm and mutual-benefit business relationships with customers from,Europe,America and south Asia,supplying obsolete and hard-to-find components to meet their specific needs.

With the principle of “Quality Parts,Customers Priority,Honest Operation,and Considerate Service”,our business mainly focus on the distribution of electronic components. Line cards we deal with include Microchip,ALPS,ROHM,Xilinx,Pulse,ON,Everlight and Freescale. Main products comprise IC,Modules,Potentiometer,IC Socket,Relay,Connector.Our parts cover such applications as commercial,industrial, and automotives areas.

We are looking forward to setting up business relationship with you and hope to provide you with the best service and solution. Let us make a better world for our industry!



## Contact us

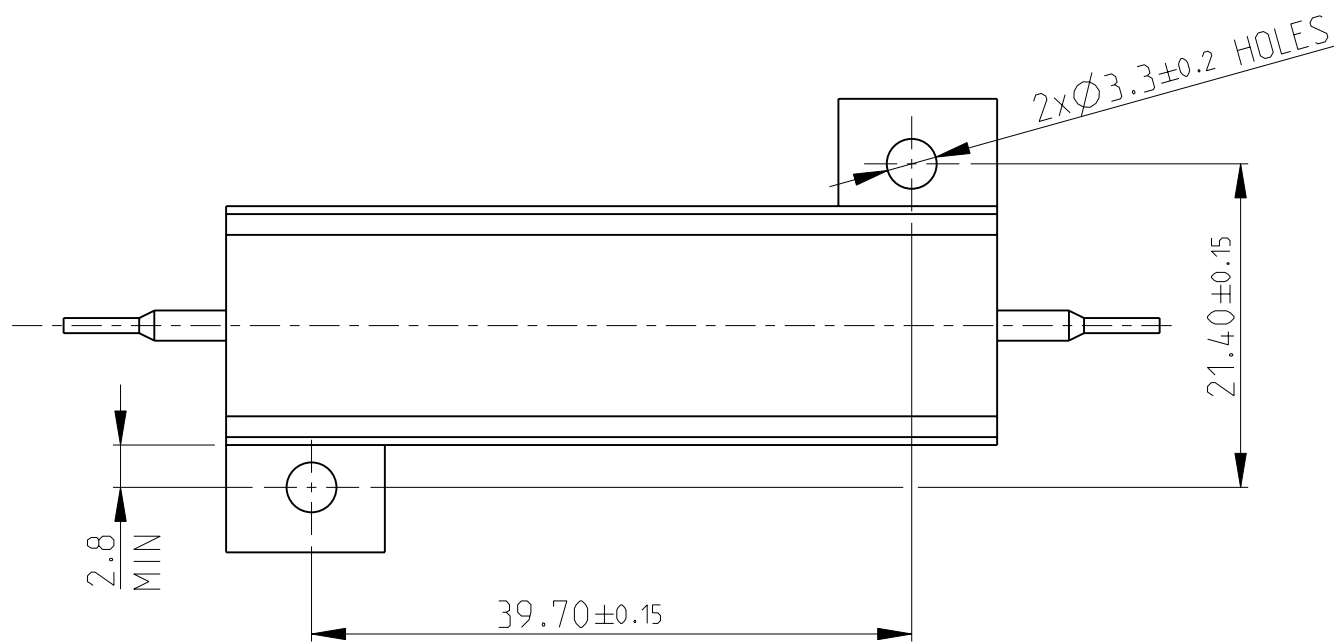
Tel: +86-755-8981 8866 Fax: +86-755-8427 6832

Email & Skype: info@chipsmall.com Web: www.chipsmall.com

Address: A1208, Overseas Decoration Building, #122 Zhenhua RD., Futian, Shenzhen, China

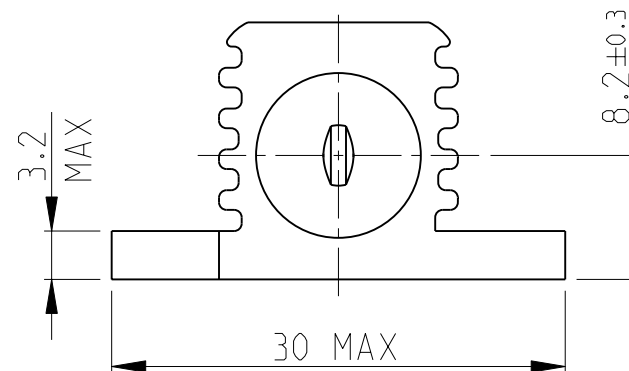
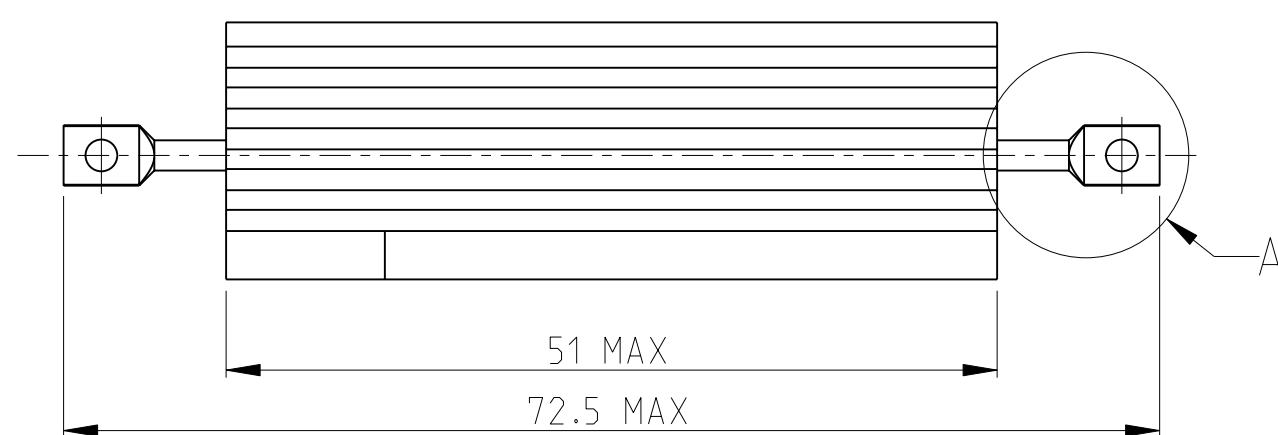


LOC	DIST	REVISIONS			
P	LTR	DESCRIPTION	DATE	DWN	APVD
E	B	B2	REVISED PER ECO-11-005150	29MAR2011	RK HMR

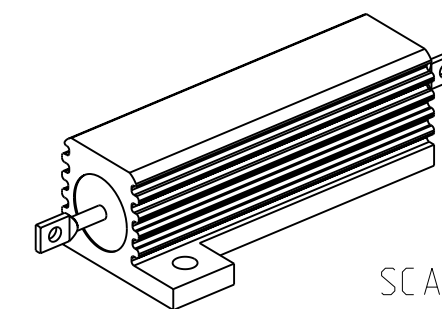


- 1 FOR FURTHER INFORMATION SEE DATA SHEET FOR HS SERIES-ALUMINIUM HOUSED RESISTORS
- 2 FOR A SPECIFIC PN FOR A RESISTANCE VALUE AND TOLERANCE, PLEASE REFER TO DMF
- 3 TECHNICAL SPECIFICATION

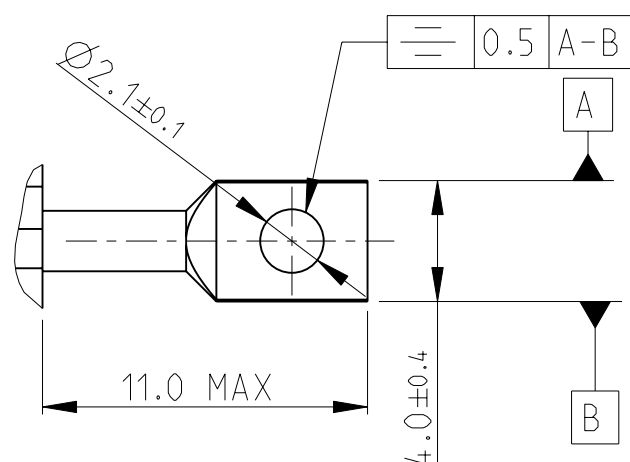
DISSIPATION AT 25°C : 50 WATTS MOUNTED ON STANDARD HEATSINK  
 BS OHMIC RANGE : R051 TO 72K  
 STABILITY : ΔR < =1% PER 1000Hrs  
 ISOLATION VOLTAGE : 2500V DC/AC pk  
 MAX WORKING VOLTAGE : 1250V DC/AC rms  
 TEMP COEFFICIENT : > 1R0 50ppm  
 > 100R 25ppm  
 CLIMATIC CATEGORY : 55/200/56




RoHS Compliant



DETAIL A  
SCALE 4:1



THIS DRAWING IS A CONTROLLED DOCUMENT.		DWN DAVE KENNEDY 22.SEP.05	 TE Connectivity	
DIMENSIONS: mm		CHK J CATCHPOLE 23.SEP.05		
TOLERANCES UNLESS OTHERWISE SPECIFIED:		APVD J CATCHPOLE 23.SEP.05	NAME HSA50 WIDE BORE	
0 PLC ±0.5		PRODUCT SPEC	RESTRICTED TO	
1 PLC ±0.2		APPLICATION SPEC	SIZE A3	CAGE CODE 00779
2 PLC ±0.1		WEIGHT	DRAWING NO C=1625984	SCALE 3:1
3 PLC ±		CUSTOMER DRAWING	SHEET 1 OF 1	REV B2
4 PLC ±				
ANGLES ±5°				
FINISH				