



Chipsmall Limited consists of a professional team with an average of over 10 year of expertise in the distribution of electronic components. Based in Hongkong, we have already established firm and mutual-benefit business relationships with customers from,Europe,America and south Asia,supplying obsolete and hard-to-find components to meet their specific needs.

With the principle of "Quality Parts,Customers Priority,Honest Operation,and Considerate Service",our business mainly focus on the distribution of electronic components. Line cards we deal with include Microchip,ALPS,ROHM,Xilinx,Pulse,ON,Everlight and Freescale. Main products comprise IC,Modules,Potentiometer,IC Socket,Relay,Connector.Our parts cover such applications as commercial,industrial, and automotives areas.

We are looking forward to setting up business relationship with you and hope to provide you with the best service and solution. Let us make a better world for our industry!



Contact us

Tel: +86-755-8981 8866 Fax: +86-755-8427 6832

Email & Skype: info@chipsmall.com Web: www.chipsmall.com

Address: A1208, Overseas Decoration Building, #122 Zhenhua RD., Futian, Shenzhen, China



Low Cost Linear Power Supplies

Features

- ◆ Low Output Ripple
- ◆ Single and Multiple Outputs
- ◆ Excellent Line & Load Regulation
- ◆ Worldwide Voltage Taps
- ◆ Industry standard footprint
- ◆ Operation up to 70C Ambients

Key Market Segments & Applications

- ◆ Test & Measurement Burn-in & Test, Automated Test, Instrumentation, Measurement, Detection
- ◆ Low noise applications
- ◆ Light Industrial



Specifications		
Model		
AC Input	-	100/120/220/230/240VAC, 47-63Hz (derate by 10% for 50Hz operation)
Efficiency	-	5V: 45%, 12/15V: 55%, 24V: 60%
Transient Response	-	50us for 50% load change
EMI	-	FCC Class B, VDE0871 Level B
Output Adjustment	-	±5% for all outputs (except outputs 2 & 3 on triple output models)
Remote Sense	-	On all single output models, HDC12 & HDC15, and output 1 of triple output models
Line Regulation	-	±0.05% for 10% line change
Load Regulation	-	±0.05% for 50% load change
Ripple and Noise	-	<3mV peak to peak
Overcurrent Protection	-	Foldback with automatic recovery (Contact factory before adjusting)
Overvoltage Protection	-	Standard on 5V outputs set at 6.2V ±0.4V OVP12 module sold separately for other outputs (see model selector)
Cooling	-	Convection or forced air
Operating Temp. Range	-	0 to +70°C, derate 3%/°C above 50°C
Storage Temperature	°C	-55 to +85°C
Temperature coefficient	-	±0.01% per °C
Humidity	-	5 - 95% RH (non condensing)
Leakage Current	uA	<50uA
Vibration	-	MIL-STD-810C, Method 514
Shock	-	MIL-STD-810C, Method 516
Safety Agency Approval	-	UL60950-1, EN60950-1, CE Mark
Size	-	Please see outline drawings
Warranty	-	Two years

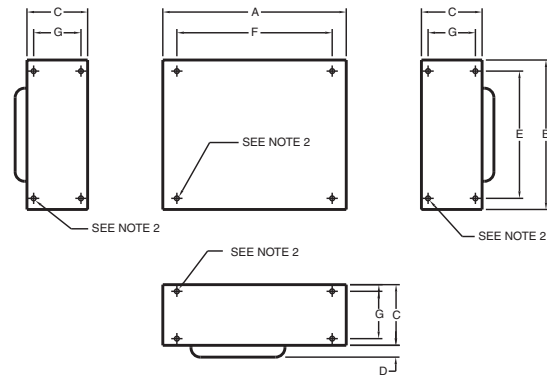
Note: See Installation Manual for full details, test methods of parameters and application notes

OBSOLETE

2 Output Module Codes

	Model	Output	Output (V)	Max Current (A)	Power (W)
Single Output	HSB5-3-OVP	V1	5	3.0	15.0
	HSC5-6-OVP	V1	5	6.0	30.0
	HSN5-9-OVP	V1	5	9.0	45.0
	HSD5-12-OVP	V1	5	12.0	60.0
	HSB12-1.7	V1	12	1.7	20.4
	HSC12-3.4	V1	12	3.4	40.8
	HSN12-5.1	V1	12	5.1	61.2
	HSB15-1.5	V1	15	1.5	22.5
	HSC15-3	V1	15	3.0	45.0
	HSN15-4.5	V1	15	4.5	67.5
	HSB24-1.2	V1	24	1.2	28.8
	HSC24-2.4	V1	24	2.4	57.6
	HSN24-3.6	V1	24	3.6	86.4
	HSD24-4.8	V1	24	4.8	115.2
	HSB28-1.0	V1	28	1.0	28.0
	HSC28-2.0	V1	28	2.0	56.0
HSN28-3.0	V1	28	3.0	84.0	
HSD28-4.0	V1	28	4.0	112.0	
Dual Output	HDA12-15	V1	+12/15	1.0/0.8	24.0
		V2	-12/15	1.0/0.8	
HDB12-15	V1	+12/15	1.8/1.5	40.0	
		-12/15	1.8/1.5		
HDC12	V1	12*	3.4	80.0	
		V2	12*	3.4	
HDC15	V1	15*	3.0	80.0	
		V2	15*	3.0	
Triple Output	HTC1	V1	5*	3.0	40.0
		V2	+12/15	1.0/0.8	
		V3	-12/15	1.0/0.8	
HTD1	V1	5*	6.0	70.0	
		V2	+12/15	1.7/1.5	
		V3	-12/15	1.7/1.5	
Accessories	OVP12 Adjustable 6.2-34V, 8A continuous, 12A peak * Isolated Outputs				

H Outline Drawing



DIMENSIONS:

MODEL	A	B	C	D	E	F	G
HSB A	4.881 (124.0)	3.976 (101.0)	1.614 (41.0)	.314 (8.0)	3.385 (86.0)	4.13 (105.0)	-
HSC B	4.881 (124.0)	5.629 (143.0)	2.480 (63.0)	.472 (12.0)	4.881 (124.0)	4.13 (105.0)	1.28 (32.5)
HSN C	4.881 (124.0)	7.007 (178.0)	2.755 (70.0)	.472 (12.0)	6.259 (159.0)	4.13 (105.0)	1.259 (32.0)
HSD I	4.881 (124.0)	8.818 (224.0)	2.755 (70.0)	.590 (15.0)	7.992 (203.0)	4.13 (105.0)	1.259 (32.0)
HDA H	4.015 (102.0)	6.496 (165.0)	1.653 (42.0)	.314 (8.0)	5.748 (146.0)	3.38 (86.0)	-
HDB D	4.881 (124.0)	7.007 (178.0)	2.755 (70.0)	.472 (12.0)	6.259 (159.0)	4.13 (105.0)	1.259 (32.0)
HDC I	4.881 (124.0)	8.818 (224.0)	2.755 (70.0)	.590 (15.0)	7.992 (203.0)	4.13 (105.0)	1.259 (32.0)
HTC F	4.015 (102.0)	10.236 (260.0)	2.519 (64.0)	.314 (8.0)	9.251 (235.0)	3.38 (86.0)	1.259 (32.0)
HTD G	4.881 (124.0)	11.023 (280.0)	2.755 (70.0)	.590 (15.0)	7.480 (190.0)	4.13 (105.0)	1.259 (32.0)

WEIGHT:

MODEL	LBS
HSB	1.98
HSC	3.96
HSN	5.94
HSD	7.48
HDA	1.98
HDB	3.96
HDC	7.48
HTC	5.06
HTD	7.92

NOTE:

1. DIMENSIONS ARE IN INCHES EXCEPT DIMENSIONS () ARE IN MM.
2. .188 (4.8) HOLES FOR CUSTOMER MTG.

Other Industrial Products

HWS	15 to 1800W single output (switching)
NNS	15 to 90W high reliability (linear)
ZWS	5 to 150W single output, universal input (switching)
VSB & VSC	10 to 150W single output, 115VAC input (switching)

For Additional Information, please visit
us.tdk-lambda.com/lp/products/h-series.htm

OBSOLETE