



Chipsmall Limited consists of a professional team with an average of over 10 year of expertise in the distribution of electronic components. Based in Hongkong, we have already established firm and mutual-benefit business relationships with customers from,Europe,America and south Asia,supplying obsolete and hard-to-find components to meet their specific needs.

With the principle of "Quality Parts,Customers Priority,Honest Operation,and Considerate Service",our business mainly focus on the distribution of electronic components. Line cards we deal with include Microchip,ALPS,ROHM,Xilinx,Pulse,ON,Everlight and Freescale. Main products comprise IC,Modules,Potentiometer,IC Socket,Relay,Connector.Our parts cover such applications as commercial,industrial, and automotives areas.

We are looking forward to setting up business relationship with you and hope to provide you with the best service and solution. Let us make a better world for our industry!



Contact us

Tel: +86-755-8981 8866 Fax: +86-755-8427 6832

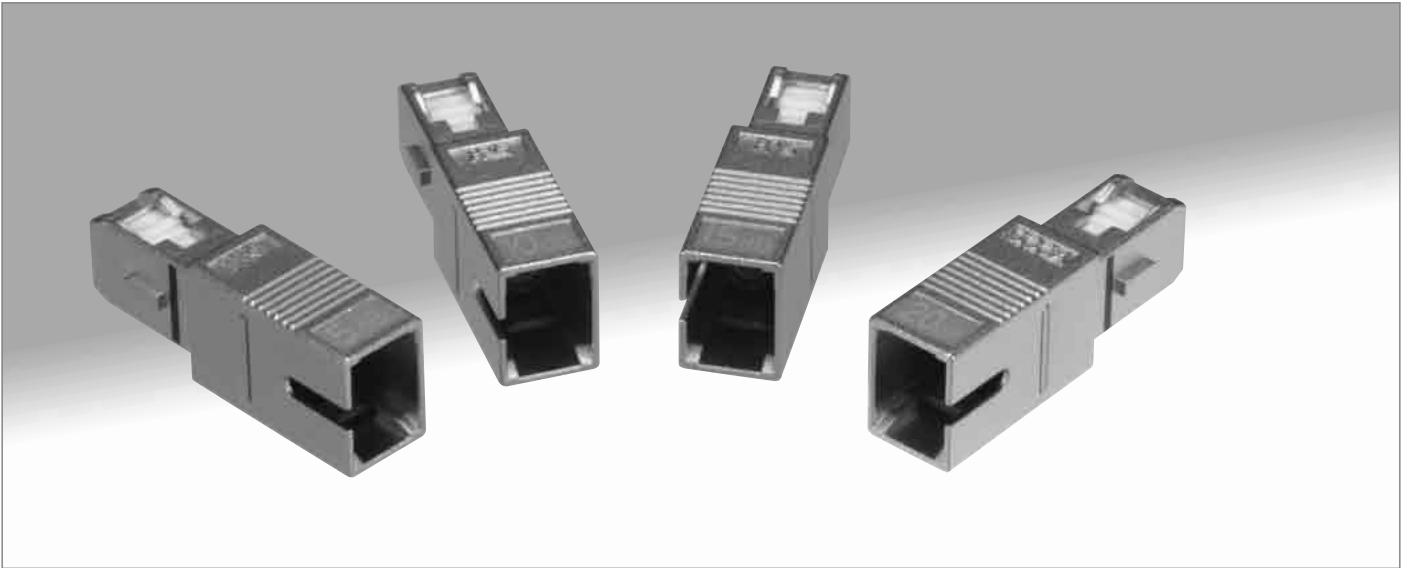
Email & Skype: info@chipsmall.com Web: www.chipsmall.com

Address: A1208, Overseas Decoration Building, #122 Zhenhua RD., Futian, Shenzhen, China



SC Type Fixed Attenuators(for multimode)

HSC-AT5 Series



■Features

1. SC Type : IEC 61754-4(JIS C 5973)
- 2.For Multi Mode
- 3.Operating wavelength : 1310nm

■Applications

Power level adjustment of optical fiber communication networks.

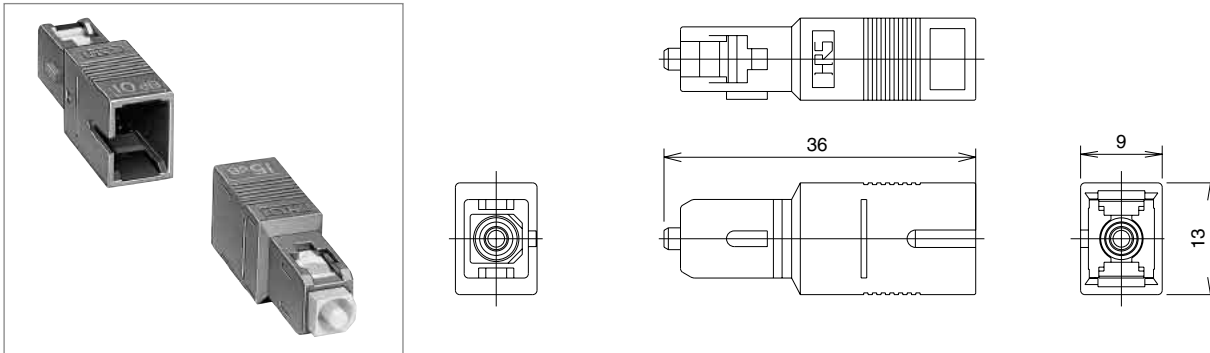
■Product Specifications

Ratings	Operating temperature range	-25°C to +70°C	Storage temperature range	-25°C to +85°C
	Max. Input Power	10mW	Fiber type	GI

Item		Test Method	Specifications
Optical Characteristics	Return Loss	Wavelength : 1310nm	≥22dB
	Attenuation		Attenuation tolerance ±1.5 dB
Mechanical Characteristics	Engagement and Separation forces	Engagement and separation forces at 50mm/s.	Engagement force ≤ 19.6N Separation force ≤ 19.6N
	Gauge retention force	Zirconia pin gauge at φ2.499 ±0.0005mm.	2.0N to 5.9N
	Durability	500 times	1) Attenuation and return loss shall be satisfied before and after the test. 2) No breakage, crack or looseness on components.
	Vibration	Frequency:10 to 55 Hz, single amplitude of 0.75mm, 3 hours in each of the 3 axis.	
Environmental Characteristics	Impact	Acceleration of 981 m/s ² , 6 ms duration, sine half-wave waveform, 3 cycles in each of the 3 axis.	No significant corrosion.
	Heat/humidity cycles	Humidity : 90 % to 96 % Temperature : -10 °C to 65 °C, Time : 240 hours (10 Cycles)	
	Heat cycles	Temperature : -25°C to +70°C, 100 cycles,	
	Dray heat	500 hours at 85°C.	
	Cold	500 hours at -25°C.	
	Salt mist	48 hours in a 5% concentration of salt mist	

Materials

Part	Material
Body	Zinc alloy
Ferrule	Zirconia
Split sleeve	Phosphor Bronze



PC Polishing type: Return Loss $\geq 22\text{dB}$

Part Number	CL No.	Attenuation	Attenuation Tolerance	Return Loss	Wavelength	Split Sleeve	Fiber type
HSC-AT5S-B05A (40)	820-3022-0-40	5dB	$\pm 1.5\text{dB}$	$\geq 22\text{dB}$	1310nm	Phosphor Bronze	GI-50/125
HSC-AT5S-B10A (40)	820-3023-2-40	10dB					
HSC-AT5S-B15A (40)	820-3024-5-40	15dB					
HSC-AT5S-B20A (40)	820-3025-8-40	20dB					

SC

FC

MU

Harsh Environment

Attenuators

Terminators

POF / PCF