



Chipsmall Limited consists of a professional team with an average of over 10 year of expertise in the distribution of electronic components. Based in Hongkong, we have already established firm and mutual-benefit business relationships with customers from,Europe,America and south Asia,supplying obsolete and hard-to-find components to meet their specific needs.

With the principle of “Quality Parts,Customers Priority,Honest Operation,and Considerate Service”,our business mainly focus on the distribution of electronic components. Line cards we deal with include Microchip,ALPS,ROHM,Xilinx,Pulse,ON,Everlight and Freescale. Main products comprise IC,Modules,Potentiometer,IC Socket,Relay,Connector.Our parts cover such applications as commercial,industrial, and automotives areas.

We are looking forward to setting up business relationship with you and hope to provide you with the best service and solution. Let us make a better world for our industry!



## Contact us

Tel: +86-755-8981 8866 Fax: +86-755-8427 6832

Email & Skype: info@chipsmall.com Web: www.chipsmall.com

Address: A1208, Overseas Decoration Building, #122 Zhenhua RD., Futian, Shenzhen, China



4

3

2

1

THIS DRAWING IS UNPUBLISHED.

RELEASED FOR PUBLICATION

MAR.2003

© COPYRIGHT 2003

BY -

ALL RIGHTS RESERVED.

LOC	DIST	REVISIONS			
P	LTR	DESCRIPTION	DATE	DWN	APVD
E	B	B2	REVISED PER ECO-11-005150	29MAR2011	RK HMR

1 FOR FURTHER INFORMATION SEE DATA SHEET FOR HS SERIES-ALUMINIUM HOUSED RESISTORS

2 FOR A SPECIFIC PN FOR A RESISTANCE VALUE AND TOLERANCE, PLEASE REFER TO DMF

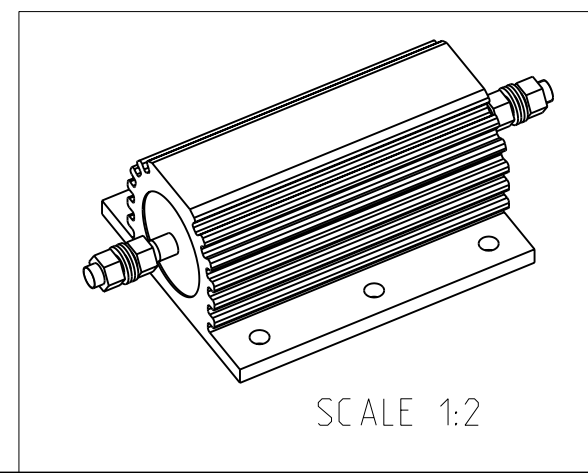
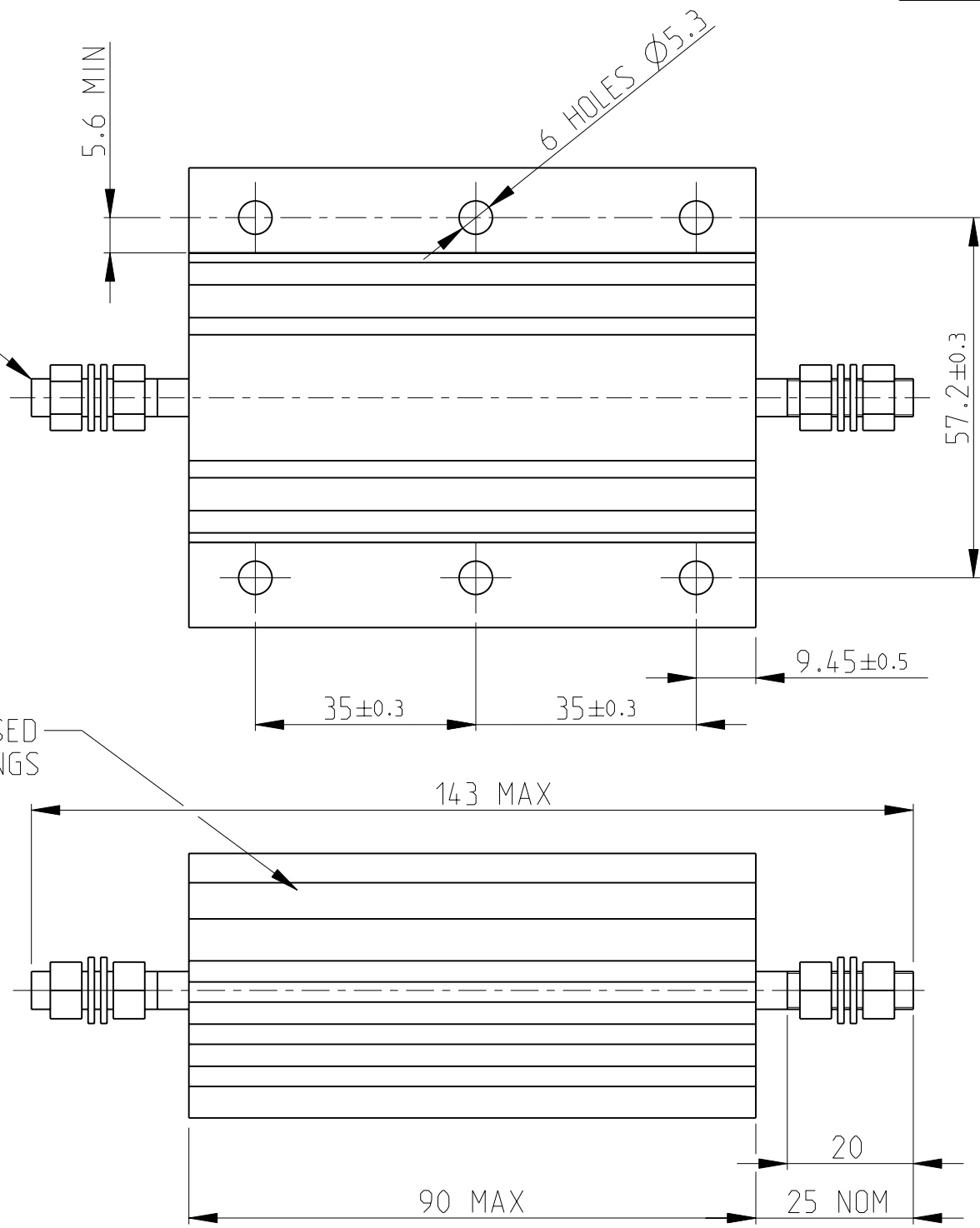
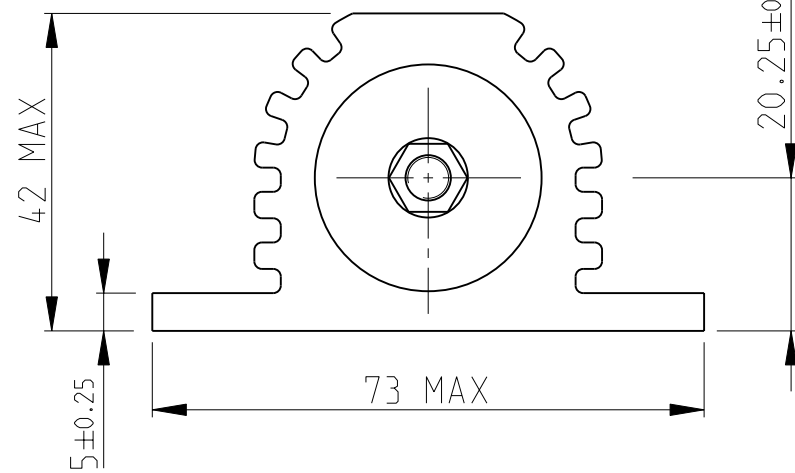
M6 ST/STEEL TERMINAL STUDS.  
EACH SUPPLIED WITH:-  
2 OFF M6 ST/STEEL FULL NUTS  
2 OFF M6/STEEL PLAN WASHERS


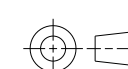
GOLD ANODISED  
ALUMINIUM HOUSINGS

HSC200  
ALUMINIUM HOUSED  
POWER RESISTOR

RoHS Compliant

SCALE 1:2



THIS DRAWING IS A CONTROLLED DOCUMENT.		DWN	L LUONG	10.MAR.03	 TE Connectivity	NAME		HSC200 ALUMINIUM HOUSED POWER RESISTOR		
DIMENSIONS:		CHK	J CATCHPOLE	10.MAR.03		PRODUCT SPEC		SIZE	CAGE CODE	DRAWING NO
mm		APVD	J CATCHPOLE	10.MAR.03		APPLICATION SPEC		A3	00779	1630019
		TOLERANCES UNLESS OTHERWISE SPECIFIED:		FINISH		RESTRICTED TO		-		
		0 PLC ±0.5				WEIGHT		-		
		1 PLC ±0.2				CUSTOMER DRAWING		SCALE 1:1		
		2 PLC ±0.1				SHEET 1 OF 1		REV B2		
		3 PLC ±								
		4 PLC ±								
		ANGLES ±		±5°						
MATERIAL		-		-						