



Chipsmall Limited consists of a professional team with an average of over 10 year of expertise in the distribution of electronic components. Based in Hongkong, we have already established firm and mutual-benefit business relationships with customers from,Europe,America and south Asia,supplying obsolete and hard-to-find components to meet their specific needs.

With the principle of “Quality Parts,Customers Priority,Honest Operation,and Considerate Service”,our business mainly focus on the distribution of electronic components. Line cards we deal with include Microchip,ALPS,ROHM,Xilinx,Pulse,ON,Everlight and Freescale. Main products comprise IC,Modules,Potentiometer,IC Socket,Relay,Connector.Our parts cover such applications as commercial,industrial, and automotives areas.

We are looking forward to setting up business relationship with you and hope to provide you with the best service and solution. Let us make a better world for our industry!



Contact us

Tel: +86-755-8981 8866 Fax: +86-755-8427 6832

Email & Skype: info@chipsmall.com Web: www.chipsmall.com

Address: A1208, Overseas Decoration Building, #122 Zhenhua RD., Futian, Shenzhen, China



THIS DRAWING IS UNPUBLISHED.

RELEASED FOR PUBLICATION

SEP. 2005

© COPYRIGHT 2005

ALL RIGHTS RESERVED.

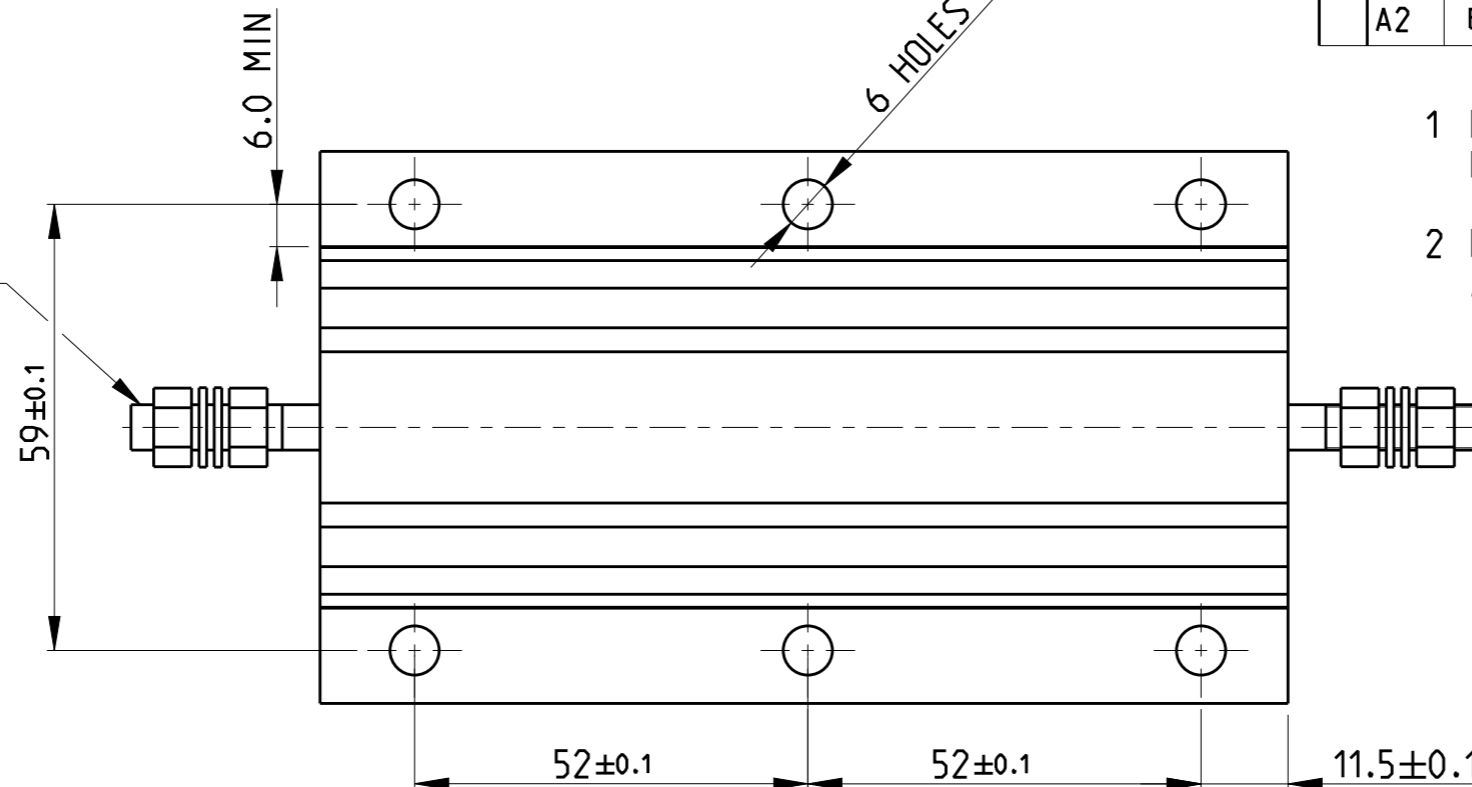
LOC	DIST
E	B

REVISIONS

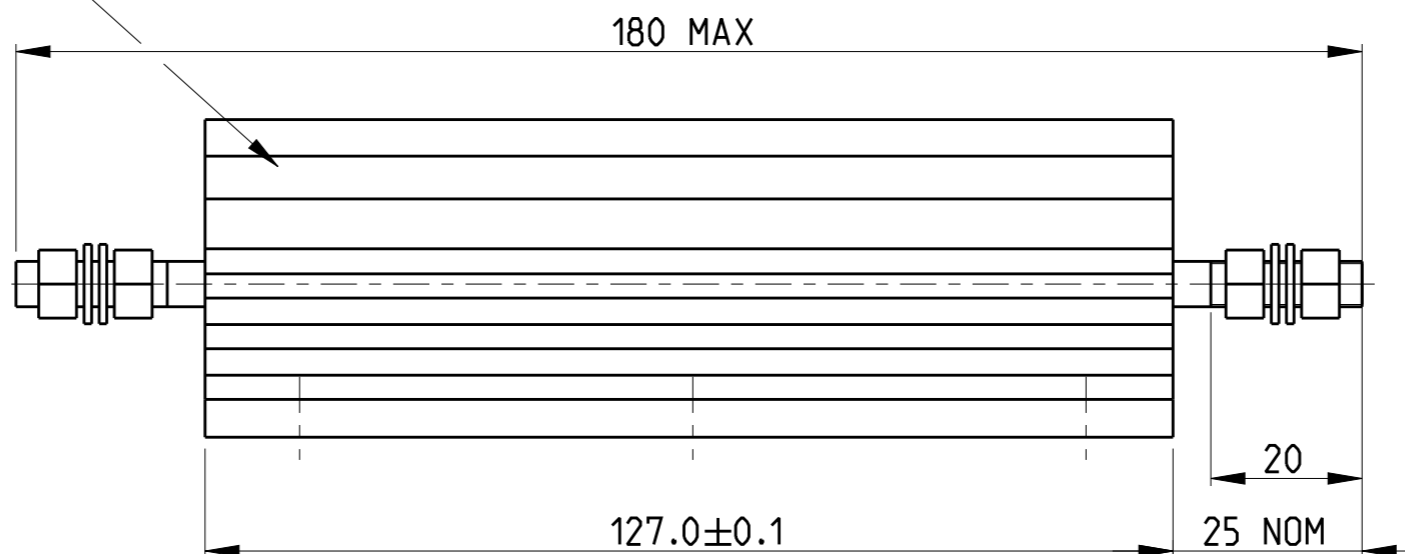
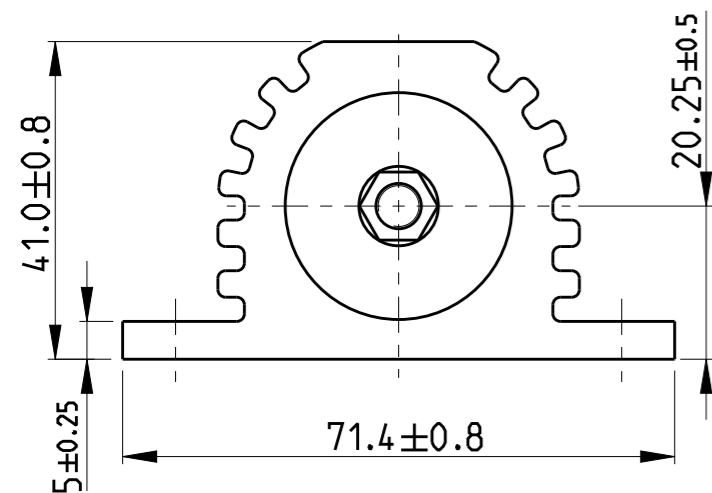
P	LTR	DESCRIPTION	DATE	DWN	APVD
A2		ECR-11-020603	07AUG2012	KR	OP

M6 ST/STEEL TERMINAL STUDS.
EACH SUPPLIED WITH :
2 OFF M6 ST/STEEL FULL NUTS
2 OFF M6/STEEL PLAN WASHERS

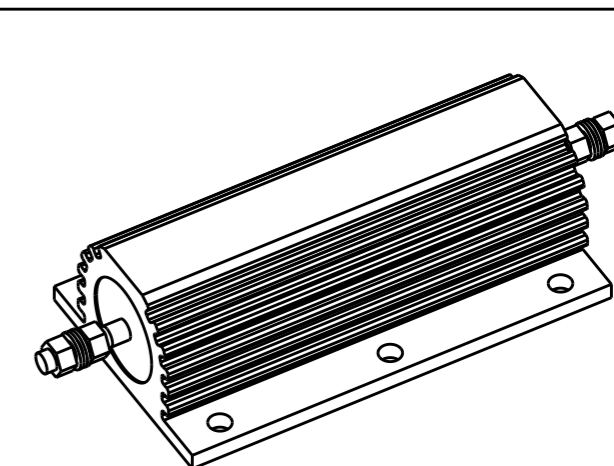
- 1 FOR FURTHER INFORMATION SEE DATA SHEET FOR HS SERIES-ALUMINIUM HOUSED RESISTORS
- 2 FOR A SPECIFIC PN FOR A RESISTANCE VALUE AND TOLERANCE, PLEASE REFER TO DMF



GOLD ANODISED
ALUMINIUM HOUSINGS



RoHS Compliant



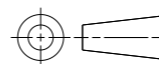
THIS DRAWING IS A CONTROLLED DOCUMENT.

DWN 28.SEP.05
DAVE KENNEDY
CHK 29.SEP.05
J CATCHPOLE
APVD 29.SEP.05
J CATCHPOLE

TE TE Connectivity

DIMENSIONS:
mm

TOLERANCES UNLESS OTHERWISE SPECIFIED:



0 PLC	±0.5
1 PLC	±0.2
2 PLC	±0.1
3 PLC	±
4 PLC	±
ANGLES	±5°

MATERIAL

FINISH

PRODUCT SPEC

APPLICATION SPEC

WEIGHT

NAME
HSC 300

SIZE	CAGE CODE	DRAWING NO	RESTRICTED TO
------	-----------	------------	---------------

A3	00779	C-1630027	-
----	-------	-----------	---

CUSTOMER DRAWING

SCALE	SHEET	OF	REV
1:1	1	1	A2