



Chipsmall Limited consists of a professional team with an average of over 10 year of expertise in the distribution of electronic components. Based in Hongkong, we have already established firm and mutual-benefit business relationships with customers from,Europe,America and south Asia,supplying obsolete and hard-to-find components to meet their specific needs.

With the principle of “Quality Parts,Customers Priority,Honest Operation,and Considerate Service”,our business mainly focus on the distribution of electronic components. Line cards we deal with include Microchip,ALPS,ROHM,Xilinx,Pulse,ON,Everlight and Freescale. Main products comprise IC,Modules,Potentiometer,IC Socket,Relay,Connector.Our parts cover such applications as commercial,industrial, and automotives areas.

We are looking forward to setting up business relationship with you and hope to provide you with the best service and solution. Let us make a better world for our industry!



Contact us

Tel: +86-755-8981 8866 Fax: +86-755-8427 6832

Email & Skype: info@chipsmall.com Web: www.chipsmall.com

Address: A1208, Overseas Decoration Building, #122 Zhenhua RD., Futian, Shenzhen, China



SynJet[®] Low Profile Cooler with HS

Features/Benefits

- Covers all your Low Profile Chip cooling needs
 - Thermal loads from 10 to nearly 20W
 - Low acoustic sound sensitive applications
 - Ultra-low power
- Very low profile applications
- 100K hours L10 life at 60C



Overview

SynJet[®] fan-less air moving technology provides the most reliable active cooling solution available today. The Low Profile family of SynJet[®] cooling modules has been developed by Nuventix Inc. to be integrated with a wide array of thermal needs.

Specifications

Parameter	Θ_{s-a} ¹²³	SPL (dBA) ⁴	TDP ⁵ (W)	Power W (5V) ⁶
Low Profile – High Performance, 19W Cooler	2.1	30	19	0.80
Low Profile – Standard, 15W Cooler	2.7	25	15	0.60
Low Profile – Low Power, 12W Cooler	3.25	23	12	0.20
Low Profile – Silent, 10W Cooler	4.0	17	10	0.40

Parameter – All Modules	Min	Typ	Max	Units	Conditions
Voltage ⁵	4.75		5.25	VDC	150mV max ripple p-p
Power Lead					Power (Red wire) Ground (Black wire)
Operating Temperature	0		60	°C	
Storage Temperature	-40		75	°C	
Storage Altitude			15K	m	Above Sea Level
Relative Humidity (operating)	5		95	%	Non-condensing
Weight			125	gr	
Agency Certifications					CE, UL , RoHS
Reliability ⁷			100K	hrs	L10 @ 60°C

¹ In fully open air or well vented fixtures from 25C to 60C in full on condition with Cu heatsink. Thermal data is given as a reference only. Actual performance may vary by application.

² Thermal resistance is measured from the bottom middle of the heat sink, with a heat source at least 15cm², to ambient air measured at the inlet to the SynJet.

³ SynJet Cooler is suitable for enclosed fixtures but thermal performance will vary depending on the enclosure.

⁴ Per ISO 7779

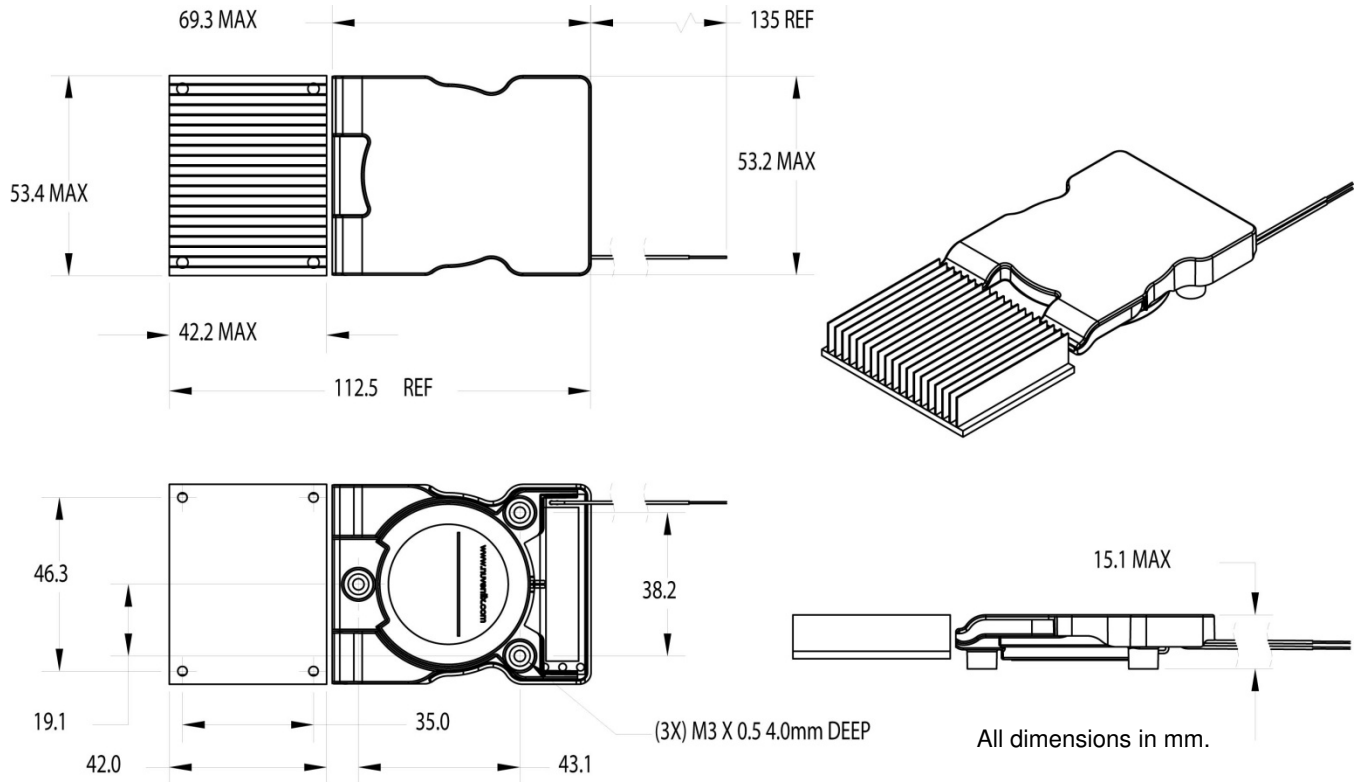
⁵ Total Design Power based on a 40°C delta in temperature.

⁶ See Nuventix Design Guide for detailed power requirements.

⁷ L10 is the life for which 90% of a group of modules will exceed the specified life.

PRODUCT

Mechanical drawing



Part Numbers

Low Profile Cooler	Document revision: 2.3
SSCCS-CM005-008	SynJet, Low Profile Chip Cooler 5v – HP, 19W Cooler
SSCCS-CM005-001	SynJet, Low Profile Chip Cooler 5v – Standard, 15W Cooler
SSCCS-CM005-009	SynJet, Low Profile Chip Cooler 5v – LA, 12W Cooler
SSCCS-CM005-010	SynJet, Low Profile Chip Cooler 5v – S, 10W Cooler
HSCCS-CALCL-001	Low Profile Chip Cooler Heatsink, Al
HSCCS-CCUCL-001	Low Profile Chip Cooler Heatsink, Cu

Nuventix reserves the right to make changes to the products or information contained herein without notice. No liability is assumed as a result of their use or applications. For additional information, please contact Nuventix directly.