



Chipsmall Limited consists of a professional team with an average of over 10 year of expertise in the distribution of electronic components. Based in Hongkong, we have already established firm and mutual-benefit business relationships with customers from,Europe,America and south Asia,supplying obsolete and hard-to-find components to meet their specific needs.

With the principle of "Quality Parts,Customers Priority,Honest Operation,and Considerate Service",our business mainly focus on the distribution of electronic components. Line cards we deal with include Microchip,ALPS,ROHM,Xilinx,Pulse,ON,Everlight and Freescale. Main products comprise IC,Modules,Potentiometer,IC Socket,Relay,Connector.Our parts cover such applications as commercial,industrial, and automotives areas.

We are looking forward to setting up business relationship with you and hope to provide you with the best service and solution. Let us make a better world for our industry!



## Contact us

Tel: +86-755-8981 8866 Fax: +86-755-8427 6832

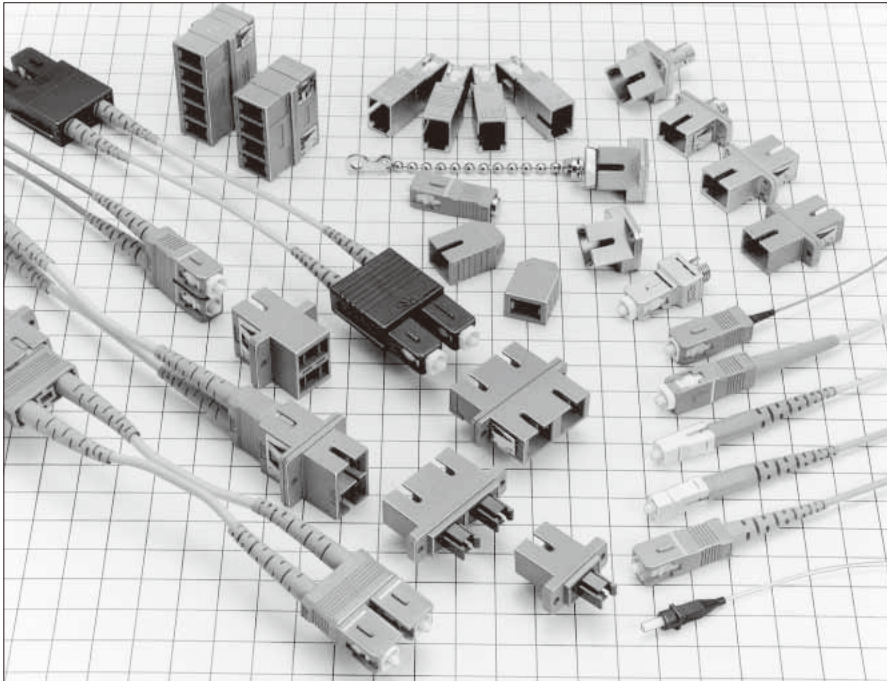
Email & Skype: info@chipsmall.com Web: www.chipsmall.com

Address: A1208, Overseas Decoration Building, #122 Zhenhua RD., Futian, Shenzhen, China



# SC Type Fiber Optic Connectors

## HSC Series



### ■ Features

#### 1. IEC, JIS standard compliant and intermateability test certified.

Comply with IEC 61754-4 and JIS C 5973(F04).  
SC intermate test by NTT certified connector.

#### 2. Flame resistant

Satisfies flammability rating UL94V-0.

#### 3. Three types of Duplex SC connector

Available in following types;

Flexible F type – Floating mechanism and comply with ANSI standards.

Rigid F type – 12.7mm spacing between the fibers, low profile and compatibility with the flexible F-type.

Rigid H type – 8.5mm spacing between the fibers and for high density applications.

#### 4. Simplified plugs and receptacles

Small size (23.8 mm plug length). SC simplified plug is designed for equipments inside connection. Comply with IEC 61754-4-1.



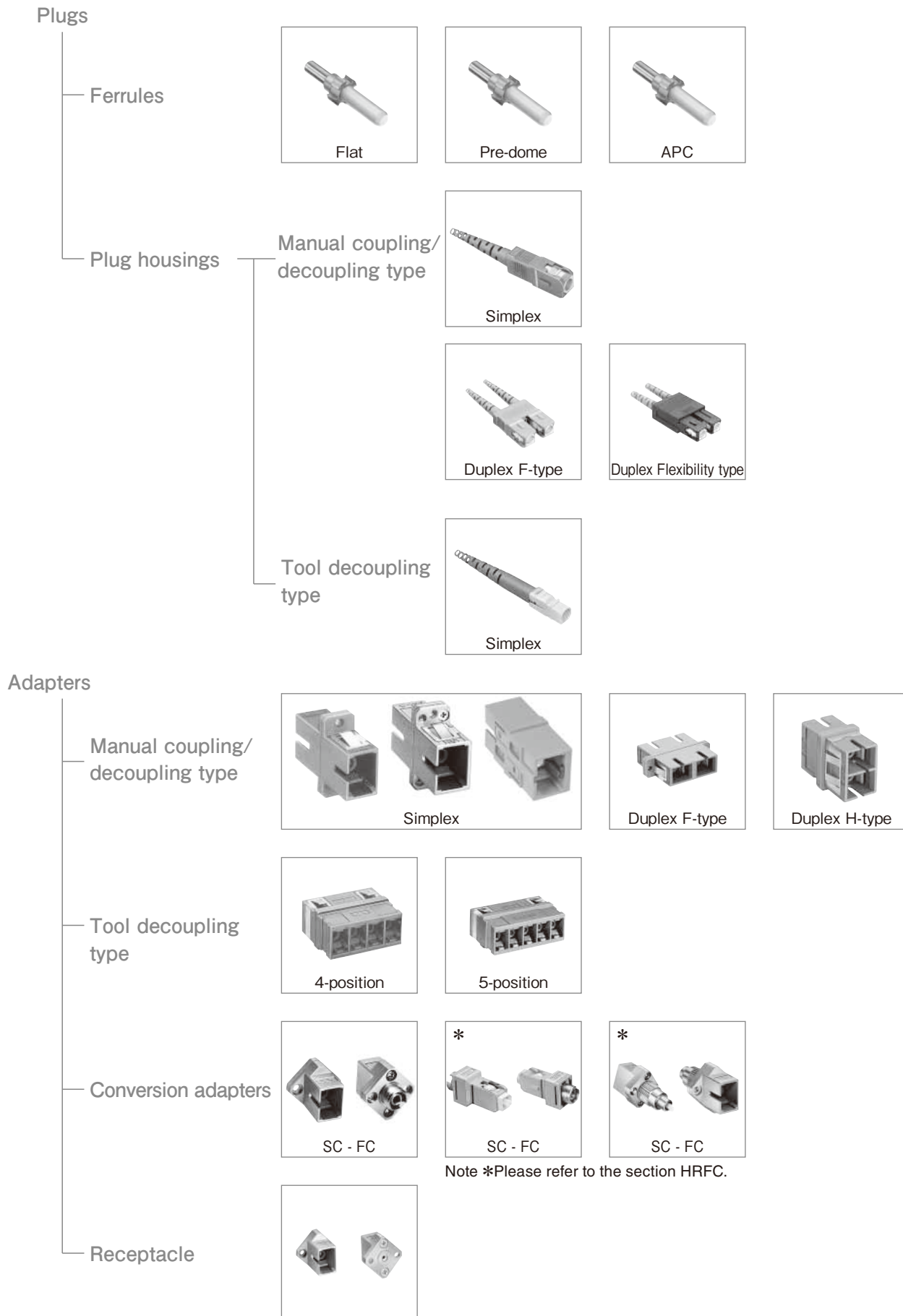
## Product Specifications

Ratings		Operating temperature range		-25°C to +70°C	Storage temperature range		-25°C to +70°C
Item		Test Method (IEC 61300)			Specifications		
Optical Characteristics	Insertion Loss	(SM)	Wavelength 1310nm (LD)		0.5dB max. (PC, AdPC, APC)		
		(GI)	Wavelength 1310nm (LED)		0.3dB max. (PC)		
	Return Loss	(SM)	Wavelength 1310nm (LD)		22dB min. (PC) 40dB min. (AdPC)		
		(GI)			22dB min. (PC)		
Mechanical Characteristics	Engagement and Separation force		Measured with corresponding connector.			Simplex plug Engagement force: 19.6 N max. Separation force: 19.6 N max. Duplex plug Engagement force: 39 N max. Separation force: 39 N max.	
	Ferrule withdrawal force		Extract zirconia gauge 2.499 ±0.0005 mm dia from split sleeve.			Copper alloy split sleeve 2N to 5.9N Zirconia split sleeve 2N to 3.9N	
	Cable retention (Straight pull)		89N tensile load for one minute.			1) Insertion loss fluctuation after test: 0.2dB max. 2) No visible damage, dislocation of clamp or cable.	
	Durability (cycles, mating/un-mating)		1000 times			1) Insertion loss fluctuation after test: 0.2dB max. 2) No visible damage, cracks or part dislocation.	
	Vibration		Frequency: 10 to 55 Hz, single amplitude of 0.75 mm, 2 hours in each of the 3 axis.				
	Shock		Acceleration of 981 m/s <sup>2</sup> , 6 ms duration, half sine shock pulse, 10 cycles in each of the 3 axis.				
Environmental Characteristics	Humidity (Temperature/ humidity- cycles)		-10°C to +65°C, humidity: 90% to 96% 10 cycles			No significant corrosion.	
	Change of temperature		-40°C to +75°C 42 cycles (Complies with Telcordia standard GR-326-CORE)				
	Dry heat		240 hours at 85°C				
	Cold		240 hours at -25°C				
	Salt mist		48 hours in a 5% concentration of salt mist				

## Materials

Part	Material
Simplex plug housing	Synthetic resin
Spring	Stainless steel
Ferrule	Zirconia
Simplex adapter housing	Synthetic resin or Zinc alloy
4-position adapter housing	Synthetic resin
5-position adapter housing	Synthetic resin
Receptacle housing	Zinc alloy
Split sleeve	Zirconia or Phosphor Bronze
Dust cap	Synthetic resin

## Function diagram



SC

Harsh Environment Electric Co., LTD. All Rights Reserved. FC  
 Apr. 1. 2017 Copyright 2017 HIROSE ELECTRIC CO., LTD. All Rights Reserved. FC  
 Terminators

POF / PCF

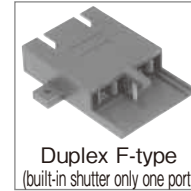
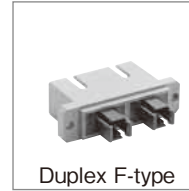
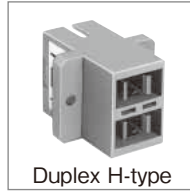
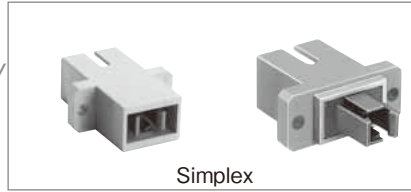
Simplified plugs & receptacles

Plugs

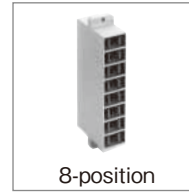
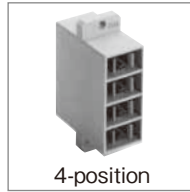


Receptacles

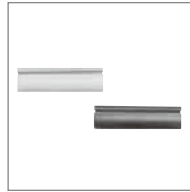
Manual coupling/  
decoupling type



Tool decoupling  
type



Split sleeve



Caps

For plug



For adapter



Apr.1.2017 Copyright 2017 HIROSE ELECTRIC CO., LTD. All Rights Reserved.

SC

FC

MU

Harsh  
Environment

Attenuators

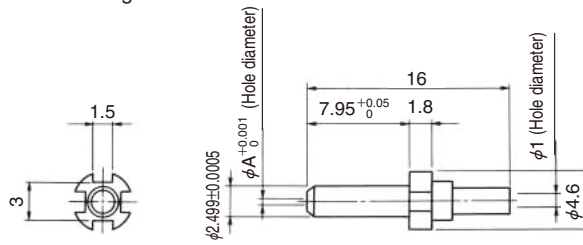
Terminators

POF / PCF

# 1. Ferrules

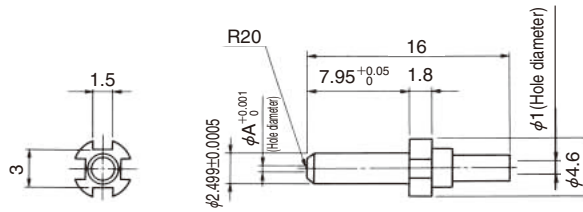
- ① It is not possible to connect it with a ferrule alone. Please use it with the plug housing.
- ② The angle of the fiber entrance (cone) is 60 degrees or 90 degrees.

## ●For PC, AdPC and UPC(Flat)



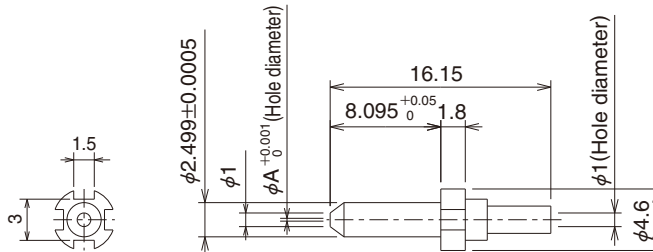
Part Number	CL No.	A dimension	Applicable Fiber cable
HSC-F321-A125(10)	704-0070-9-10	0.125	SM-9.5/125 GI-50/125
HSC-F321-A1255(10)	704-0200-2-10	0.1255	
HSC-F321-A126(10)	704-0071-1-10	0.126	

## ●For PC, AdPC and UPC(Pre-dome)



Part Number	CL No.	A dimension	Applicable Fiber cable
HSC-F3E2-A125	704-0590-9-00	0.125	SM-9.5/125 GI-50/125
HSC-F3E2-A1255	704-0571-4-00	0.1255	
HSC-F3E2-A126	704-0591-1-00	0.126	

## ●For APC



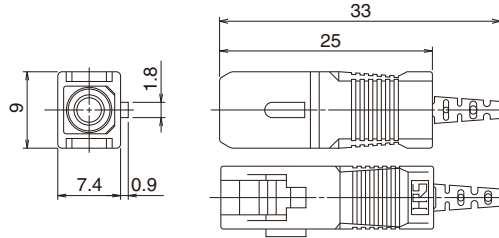
Part Number	CL No.	A dimension	Applicable Fiber cable
HSC-F391-A125(40)	704-3101-7-40	0.125	SM-9.5/125
HSC-F391-A1255(40)	704-3130-5-40	0.1255	
HSC-F391-A126(40)	704-3102-0-40	0.126	

## 2. Plug Housings

Please use them with the ferrule.

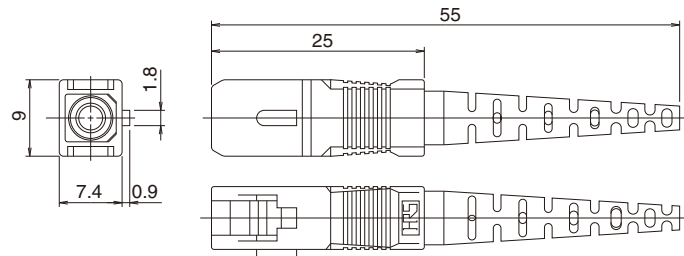
### ■ Manual coupling / decoupling type

#### ● Light weight type (For 0.9mm fiber)



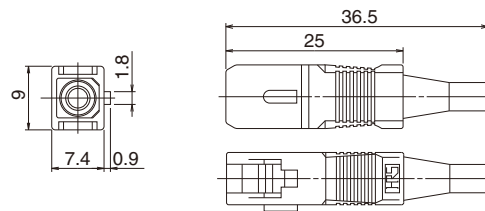
Part Number	CL No.	Boot color	Slider color	Polishing type
HSC-PH0.9-E1(26)	704-0339-2-26	Blue	Blue	PC
HSC-PH0.9-E2(51)	704-0354-6-51	Light purple		AdPC
HSC-PH0.9-E5(51)	704-3104-5-51	Green	Green	APC

#### ● Strain relief type



Part Number	CL No.	Fiber cable type	Slider color	Boot color	Polishing type	Outer jacket fixing
HSC-PH2-E1(64)	704-0327-3-64	φ2mm	Blue	Blue	PC	Crimp
HSC-PH2-E2(75)	704-0328-6-75			Light purple	AdPC	
HSC-PH2-E6(73)	704-0344-2-73			White	—	
HSC-PH2-E5(68)	704-3108-6-68	φ3mm	Green	Green	APC	Crimp
HSC-PH3-B1(68)	704-0222-5-68			Blue	PC	
HSC-PH3-B2(68)	704-0223-8-68			Light purple	AdPC	
HSC-PH3-B6(62)	704-0282-7-62	φ3mm	Green	White	—	Crimp
HSC-PH3-B5(62)	704-3020-7-62			Green	APC	

#### ● Short length type (For 2mm Cable)



Part Number	CL No.	Slider color	Boot color	Polishing type	Outer jacket fixing
HSC-PH2-E1-A(62)	704-0464-4-62	Blue	Blue	PC	Glue
HSC-PH2-E2-A(62)	704-0480-0-62		Light purple	AdPC	
HSC-PH2-E5-A(60)	704-3124-2-60	Green	Green	APC	

Apr.1.2017 Copyright 2017 HIROSE ELECTRIC CO., LTD. All Rights Reserved.

SC

FC

MU

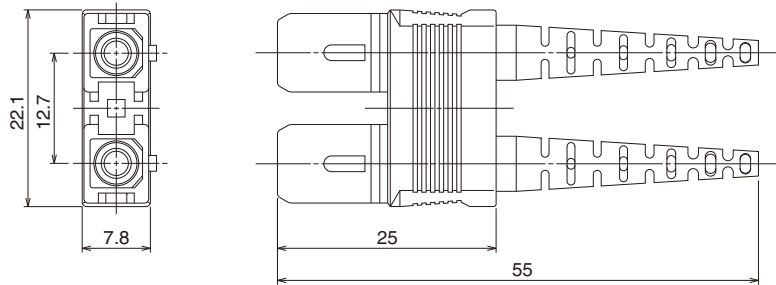
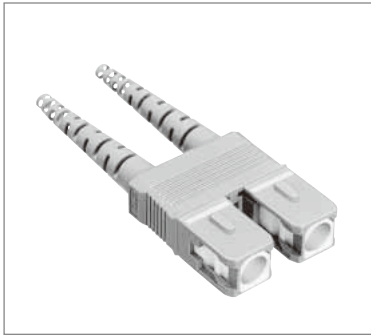
Harsh Environment

Attenuators

Terminators

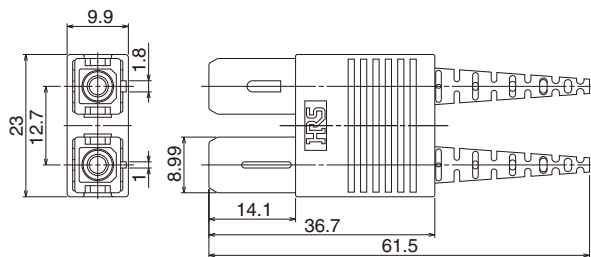
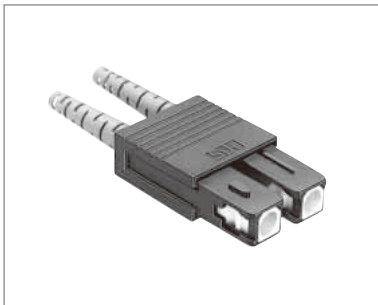
POF / PCF

● Duplex F-type



Part Number	CL No.	Applicable Fiber cable	Guide key	Slider color	Boot Color	Polishing type
HSCF-2PH2-E1(P)(62)	704-2109-3-62	φ2mm	P	Blue	Blue	PC
HSCF-2PH2-E2(P)(62)	704-2120-6-62				Light purple	AdPC
HSCF-2PH3-B1(P)(63)	704-2032-0-63	φ3mm			Blue	PC
HSCF-2PH3-B2(P)(65)	704-2036-1-65				Light purple	AdPC

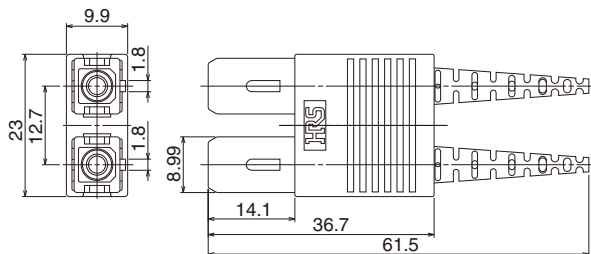
● Duplex Flexibility type (Comply with ANSI), for single Mode



Part Number	CL No.	Applicable Fiber cable	Slider color	Boot Color	Polishing type
HSCM-2SPH2-B1(60)	704-2100-9-60	Simplex-2mm dia. cable or dual fiber zip cable	Black	Blue	PC
HSCM-2SPH3-B1(60)	704-2102-4-60	Simplex-3mm dia. cable or dual fiber zip cable		Light purple	AdPC
HSCM-2SPH2-B2(60)	704-2133-8-60	Simplex-2mm dia. cable or dual fiber zip cable			

The pitch size between plugs is flexible.  
It is possible to connect it with duplex F-type adapter.

● Duplex Flexibility type (Comply with ANSI), for Multi-mode



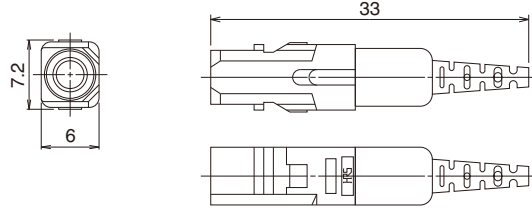
Part Number	CL No.	Applicable Fiber cable	Slider color	Boot Color	Polishing type
HSCM-2GPH2-B1(60)	704-2104-0-60	Simplex-2mm dia. cable or dual fiber zip cable	Black	Blue	PC
HSCM-2GPH3-B1(60)	704-2106-5-60	Simplex-3mm dia. cable or dual fiber zip cable			

The pitch size between plugs is flexible.  
It is possible to connect it with duplex F-type adapter.



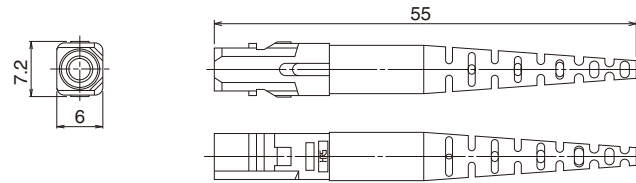
## ■ Tool decoupling type

### ● Light weight type (For 0.9mm fiber)



Part Number	CL No.	Boot Color	Polishing type
HSC2-PH0.9-E1(51)	704-0421-1-51	Blue	PC
HSC2-PH0.9-E2(51)	704-0422-4-51	Light purple	AdPC

### ● Strain relief type

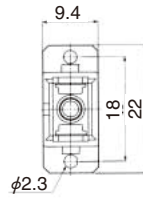
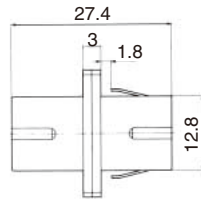


Part Number	CL No.	Fiber cable type	Boot color	Polishing type	Outer jacket fixing
HSC2-PH2-E1(69)	704-0329-9-69	φ2mm	Blue	PC	Glue
HSC2-PH2-E2(68)	704-0330-8-68		Light purple	AdPC	
HSC2-PH3-B1(63)	704-0226-6-63	φ3mm	Blue	PC	Crimp
HSC2-PH3-B2(63)	704-0227-9-63		Light purple	AdPC	

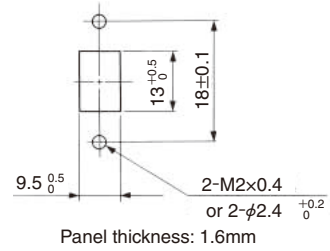
### 3.Adapters & Receptacles

#### Manual coupling / decoupling type

##### SC/SC Plastic Housing

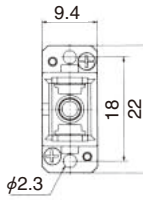
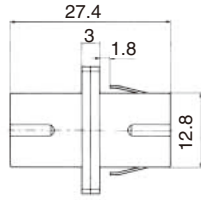
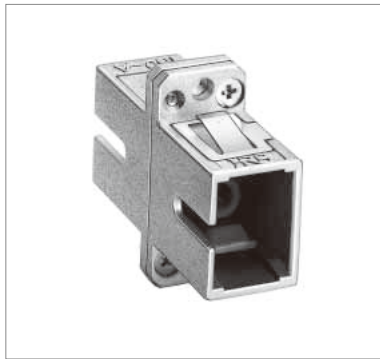


##### Panel cutout

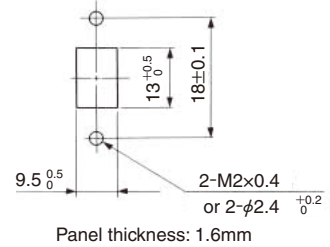


Part Number	CL No.	Split sleeve	Remarks
HSC-A3(51)	704-0092-1-51	Phosphor Bronze	PC,AdPC(Blue)
HSC-A3-D1(02)	704-0217-5-02	Zirconia	
HSC-A3-D2(06)	704-3007-9-06	Zirconia	APC(Green)

##### SC/SC Die Cast Metal Housing

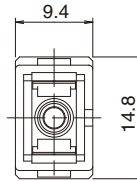
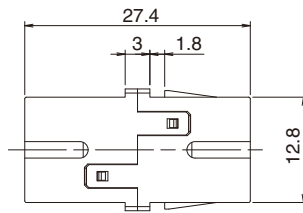


##### Panel cutout

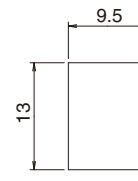


Part Number	CL No.	Split sleeve
HSC-A2(50)	704-0020-0-50	Phosphor Bronze
HSC-A2-D1(01)	704-0258-2-01	Zirconia

##### SC/SC Plastic Housing (Short flange)



##### Panel cutout

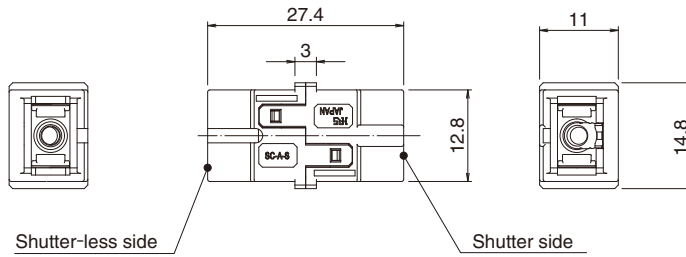


Panel thickness: 1.6mm

Part Number	CL No.	Split sleeve	Snap in latch for panel mount	Remarks
HSC-AFR-D1(01)	704-0572-7-01	Zirconia	without latch	PC,AdPC(Blue)
HSC-AFR-D2(01)	704-0573-0-01	Zirconia	with latch	

Note: When applying excessive force to the plug or inserting in an odd angle, the adapter housing might be damaged.

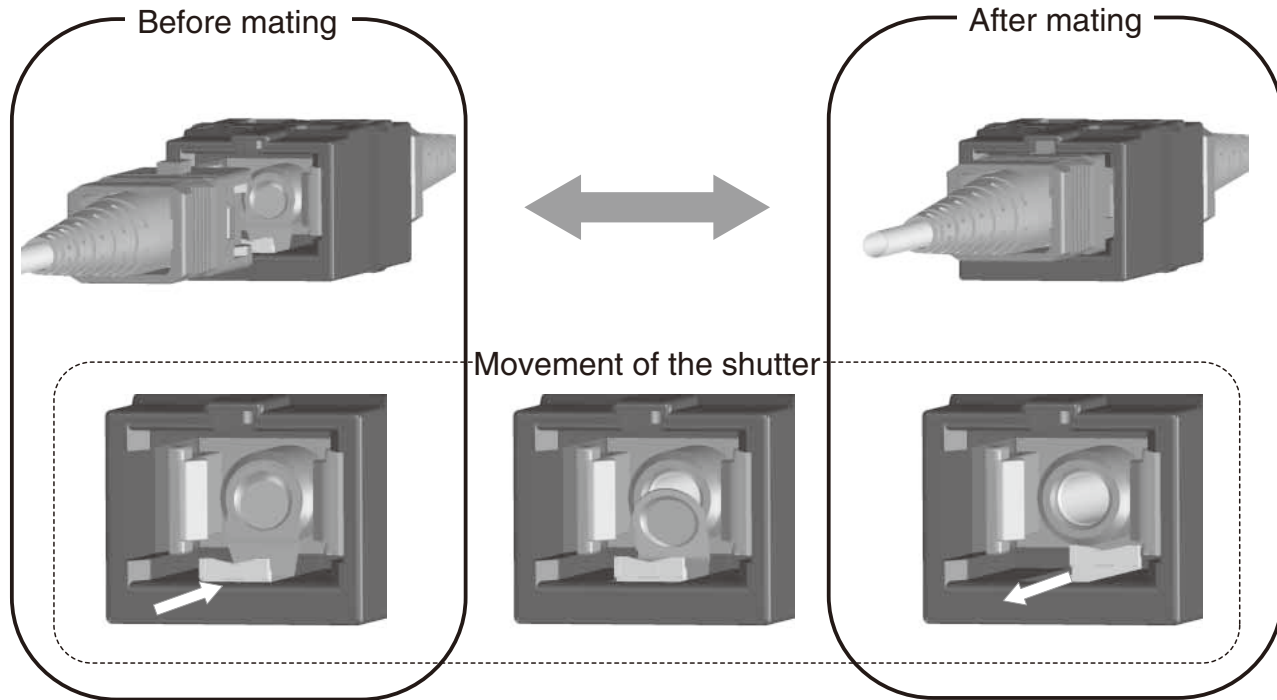
● SC/SC Plastic Housing (With shutter)



Part Number	CL No.	Split sleeve	Remarks
HSC-AFL1-S1-D1	704-0593-7-00	Zirconia	PC, AdPC(Blue)
HSC-AFL1-S1-D2	704-3141-1-00	Zirconia	APC(Green)

**Features**

With built-in automatic shutter.



Apr.1.2017 Copyright 2017 HIROSE ELECTRIC CO., LTD. All Rights Reserved.

SC

FC

MU

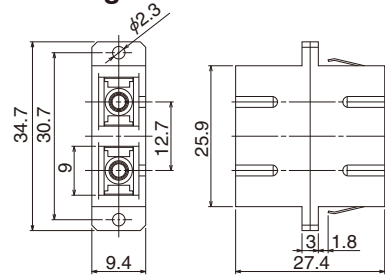
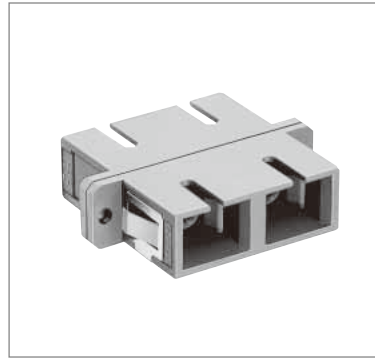
Harsh Environment

Attenuators

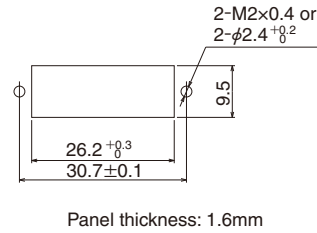
Terminators

POF / PCF

●F type Snap-in and/or Screw Mounting

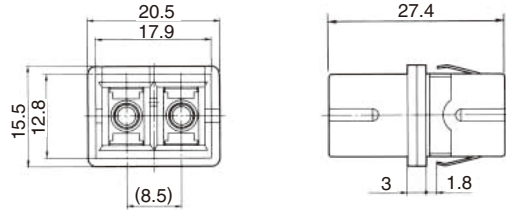


◆Panel cutout

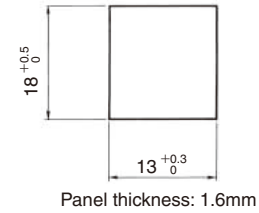


Part Number	CL No.	Split sleeve	Remarks
HSCF-2A(P)(51)	704-2008-6-51	Phosphor Bronze	PC, AdPC(Blue)
HSCF-2A-D(P)(06)	704-2040-9-06	Zirconia	
HSCF-2A-D2(P)(06)	704-2112-8-06		APC(Green)

●H type Snap-in

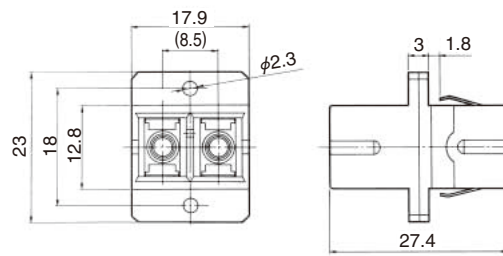


◆Panel cutout

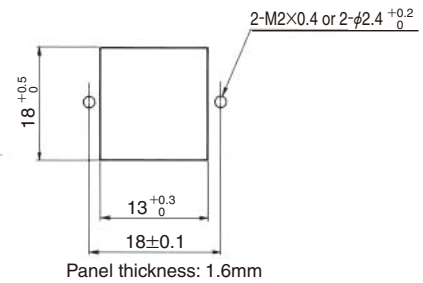


Part Number	CL No.	Split sleeve	Remarks
HSCH-2A1(P)(51)	704-2066-2-51	Phosphor Bronze	PC, AdPC(Blue)
HSCH-2A1-D2(P)	704-2137-9-00	Zirconia	APC(Green)

●H type Snap-in and/or Screw Mounting



◆Panel cutout

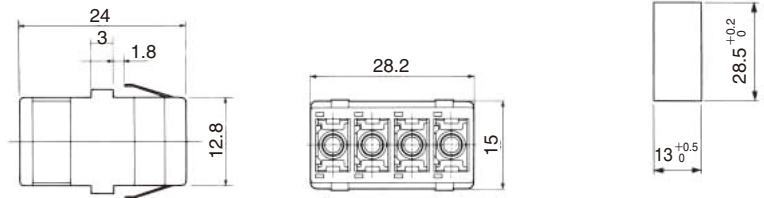


Part Number	CL No.	Split sleeve	Remarks
HSCH-2A(P)(51)	704-2020-1-51	Phosphor Bronze	PC, AdPC(Blue)
HSCH-2A-D(P)(02)	704-2062-1-02	Zirconia	
HSCH-2A-D2(P)(03)	704-2108-0-03		APC(Green)



### ■ Tool decoupling type

#### ● SC2/SC2 4-way adapter

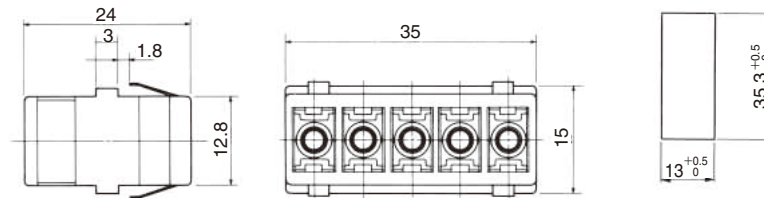


Panel thickness: 1.6mm

Part Number	CL No.	Split sleeve	Remarks
HSC2-4A(51)	704-0024-1-51	Phosphor Bronze	PC,AdPC(Blue)
HSC2-4A-D1(01)	704-0290-5-01	Zirconia	

Note: When applying excessive force to the plug or inserting in an odd angle, the zirconia sleeve within the adapter might be damaged.

#### ● SC2/SC2 5-way adapter(for Multi-mode fiber)



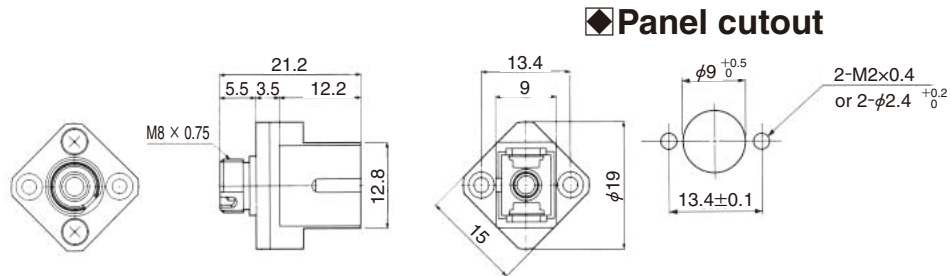
Panel thickness: 1.6mm

Part Number	CL No.	Split sleeve	Remarks
HSC2-5A(51)	704-0025-4-51	Phosphor Bronze	PC,AdPC(Blue)

Note: When applying excessive force to the plug or inserting in an odd angle, the zirconia sleeve within the adapter might be damaged.

### ■ Conversion adapters

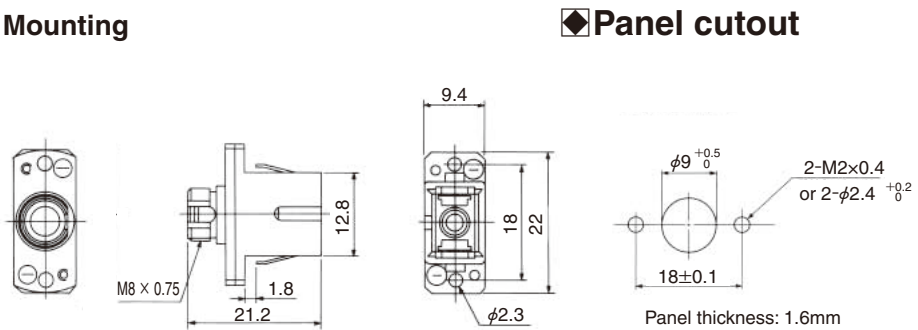
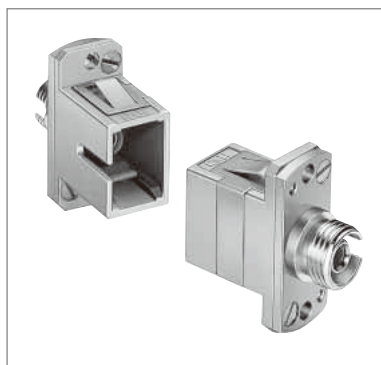
#### ● FC / SC Screw Mounting



Part Number	CL No.	Split sleeve
HSCJ-HRFCJ-B(43)	704-0021-3-43	Phosphor Bronze

Note: The type of SC plug that can be mated is manual coupling/decoupling type.

#### ● FC / SC Snap-in and/or Screw Mounting

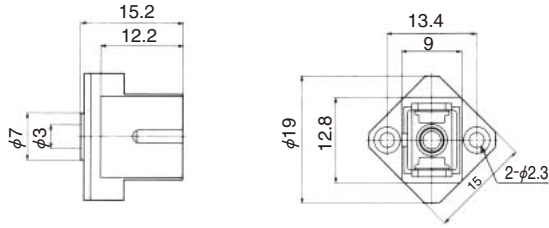
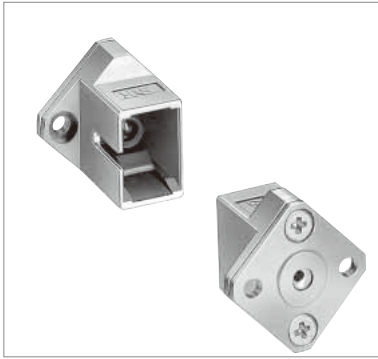


Panel thickness: 1.6mm

Part Number	CL No.	Split sleeve
HSCJ-HRFCJ-C(43)	704-0206-9-43	Phosphor Bronze

Note: The type of SC plug that can be mated is manual coupling/decoupling type.

## ■ Receptacles



Note: Designed for power meter sensors

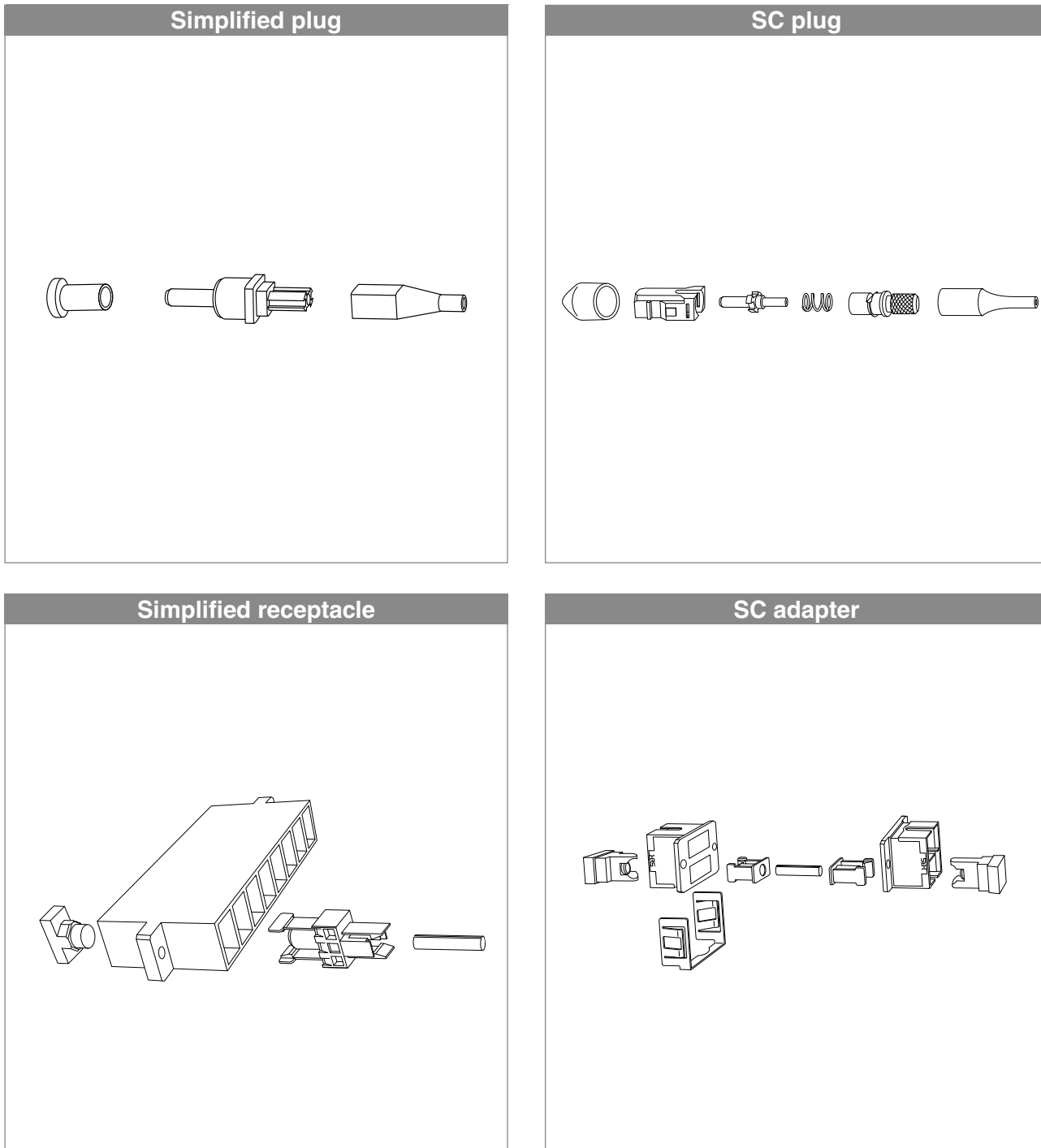
Part Number	CL No.	Remarks
HSC-R1-B(41)	704-0022-6-41	For MM
HSC-R2-B(41)	704-0023-9-41	For SM

Note: The type of SC plug that can be mated is manual coupling/decoupling type.

## 4. Simplified plugs & receptacles

### ■ Features

1. This product greatly reduced the number of parts compared with the SC connector, and achieved cost-saving.



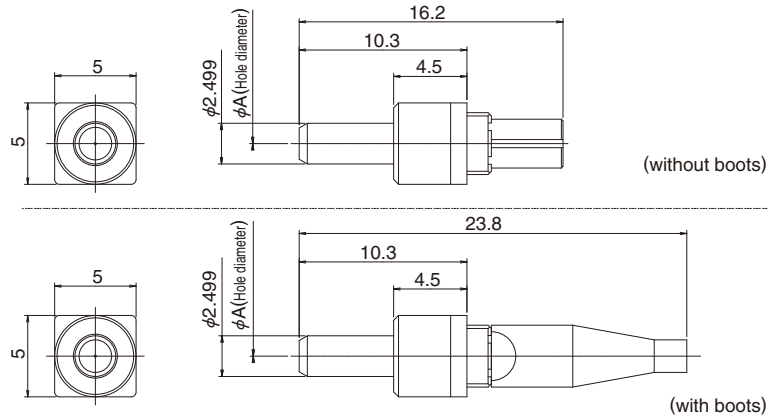
2. It achieved space-saving by using this product inside of the system.

3. Please use a special tool when you decouple the plug.

## ■ Simplified plug

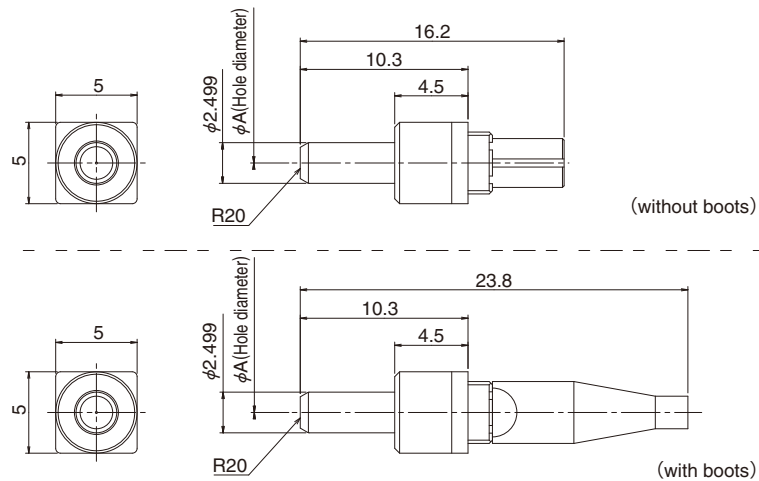
Please use the special decoupling tool when you unmate the simplified plug.

### ● Simplified plug(Flat)



Part Number	CL No.	A dimension	Remarks
HSC2-FK-A125(56)	704-0267-3-56	0.125	without boots
HSC2-FK-A1255(56)	704-0269-9-56	0.1255	
HSC2-FK-A126(56)	704-0268-6-56	0.126	
HSC2-FK-A125(51)	704-0267-3-51	0.125	with boots
HSC2-FK-A1255(51)	704-0269-9-51	0.1255	
HSC2-FK-A126(51)	704-0268-6-51	0.126	

### ● Simplified plug(Pre-dome)

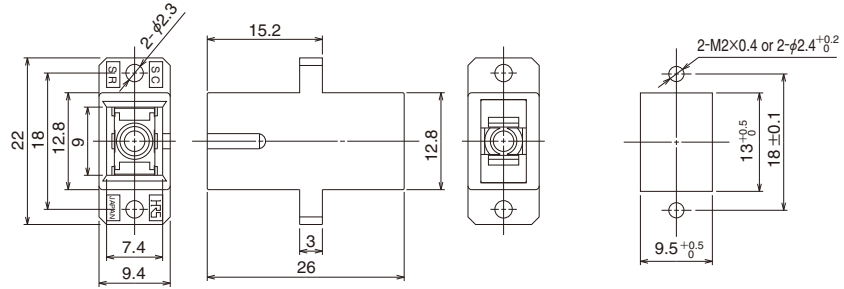
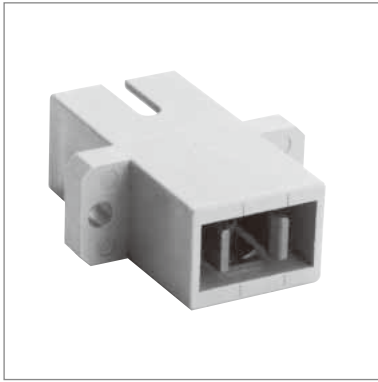


Part Number	CL No.	A dimension	Remarks
HSC2-FK2-A125(56)	704-0407-0-56	0.125	without boots
HSC2-FK2-A1255(56)	704-0408-3-56	0.1255	
HSC2-FK2-A126(56)	704-0409-6-56	0.126	
HSC2-FK2-A125(51)	704-0407-0-51	0.125	with boots
HSC2-FK2-A1255(51)	704-0408-3-51	0.1255	
HSC2-FK2-A126(51)	704-0409-6-51	0.126	



### ■ Simplified receptacle to SC

#### ● Simplex / Shrouded

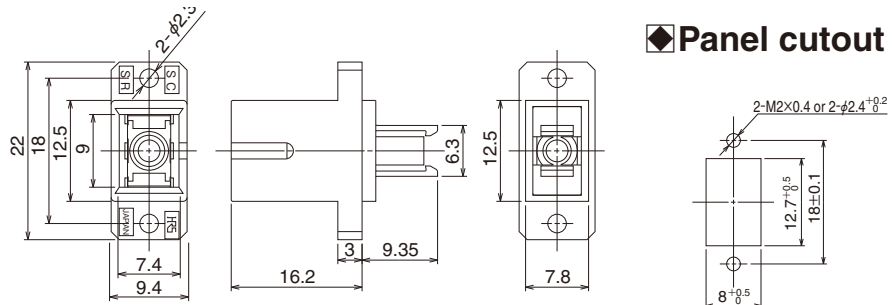
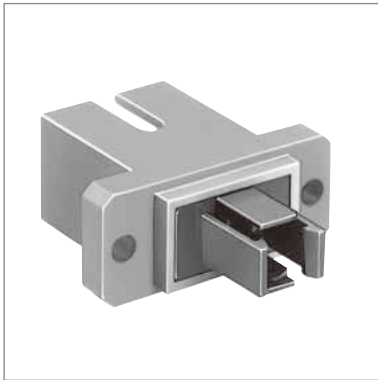


Part Number	CL No.	Split sleeve
HSC-SR-1(51)	704-0320-4-51	Phosphor Bronze
HSC-SR-D1(02)	704-0321-7-02	Zirconia
HSC-SR-1(03)	704-0320-4-03	None

Note. The type of SC plug that can be mated is manual coupling/decoupling type.

#### ◆ Panel cutout

#### ● Simplex / Unshrouded

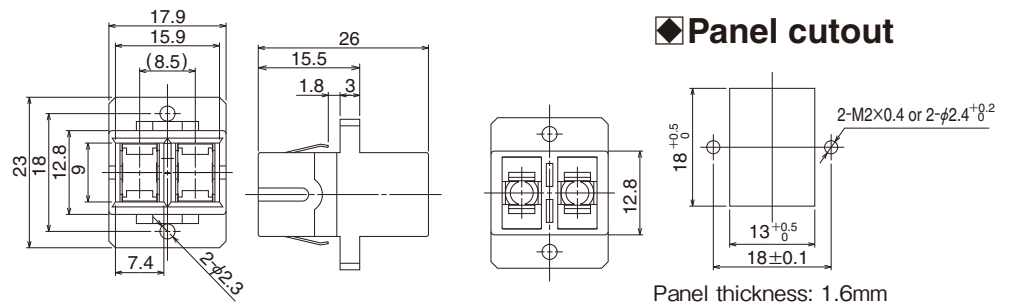
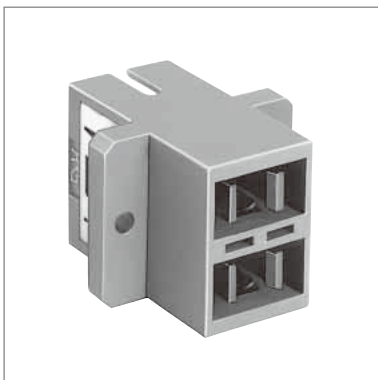


Part Number	CL No.	Split sleeve
HSC-SR-2(51)	704-0291-8-51	Phosphor Bronze
HSC-SR-D2(06)	704-0292-0-06	Zirconia
HSC-SR-2(03)	704-0291-8-03	None

Note. The type of SC plug that can be mated is manual coupling/decoupling type.

#### ◆ Panel cutout

#### ● Duplex H type / Shrouded



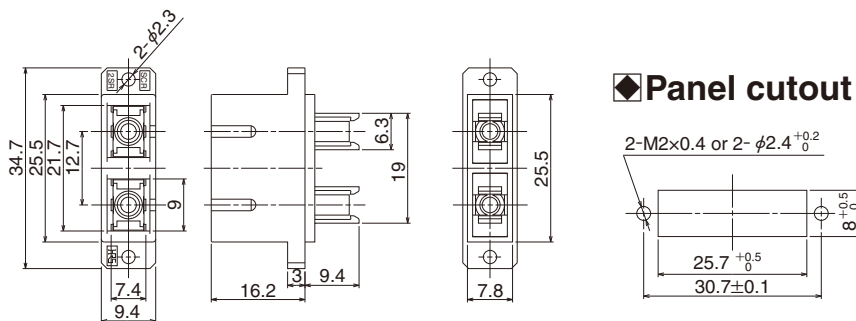
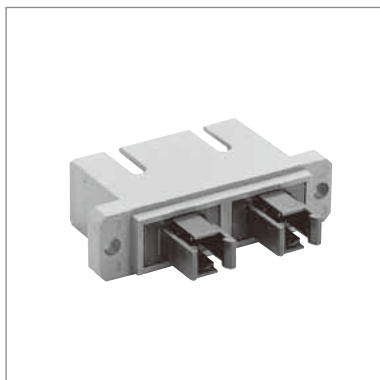
Panel thickness: 1.6mm

Part Number	CL No.	Split sleeve
HSCH-2SR-1(R)(51)	704-0293-3-51	Phosphor Bronze
HSCH-2SR-D1(R)(01)	704-0294-6-01	Zirconia

Note. The type of SC plug that can be mated is manual coupling/decoupling type.

#### ◆ Panel cutout

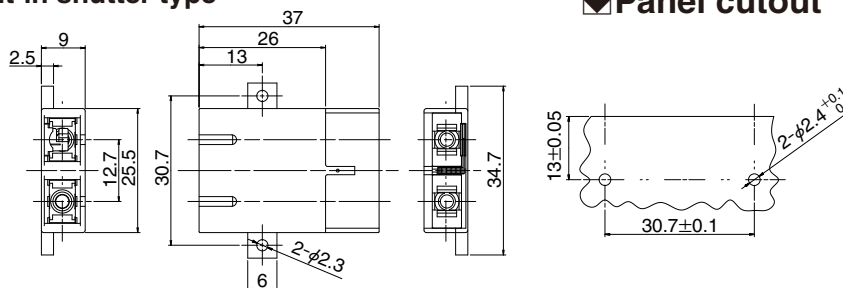
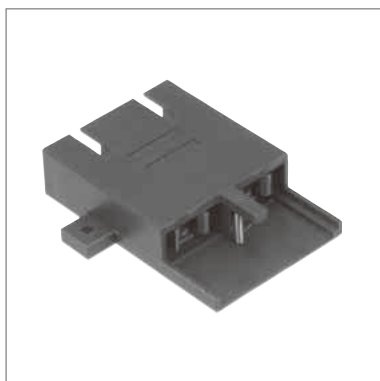
● Duplex F type / Unshrouded



Part Number	CL No.	Split sleeve
HSCF-2SR-2(P)(51)	704-0295-9-51	Phosphor Bronze
HSCF-2SR-2(P)(03)	704-0295-9-03	None

Note. The type of SC plug that can be mated is manual coupling/decoupling type.

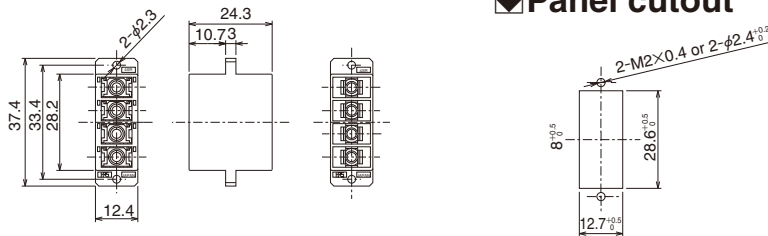
● Duplex F type / Shrouded, built-in shutter type



Part Number	CL No.	Split sleeve
HSCF-2SR-S2	704-0516-6-00	None

※ The type of SC plug that can be mated is manual coupling/decoupling type.  
Note. The shutter is built into only one of ports.

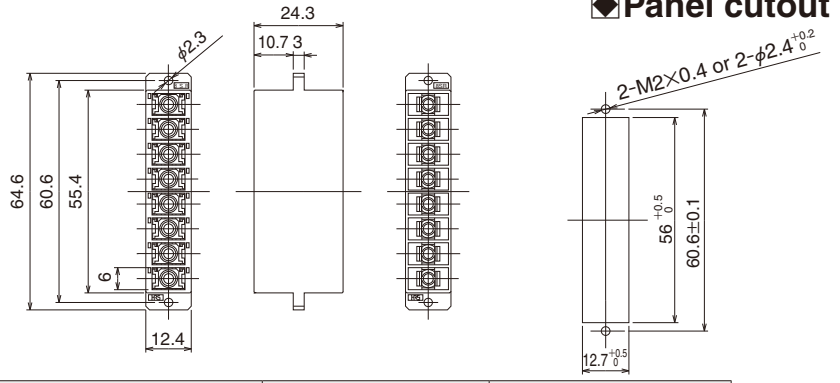
● 4-Position / Shrouded



Part Number	CL No.	Split sleeve
HSC2-4SR-1(51)	704-0311-3-51	Phosphor Bronze
HSC2-4SR-D1(01)	704-0312-6-01	Zirconia
HSC2-4SR-1(03)	704-0311-3-03	None

Note: When applying excessive force to the plug or inserting in an odd angle, the zirconia sleeve within the adapter might be damaged.  
※ The type of SC plug that can be mated is tool decoupling type.

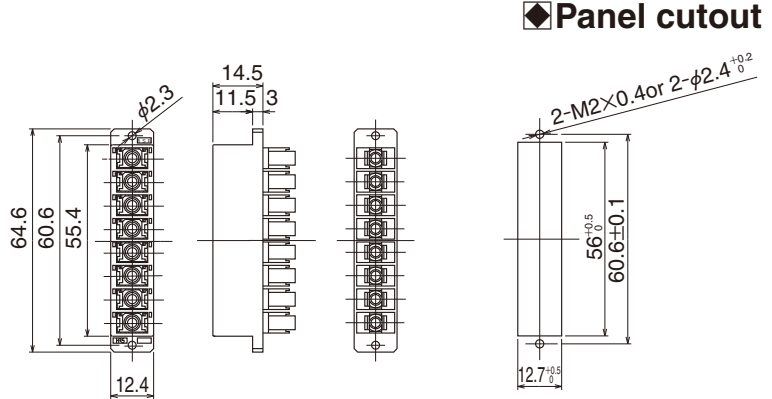
●8-Position / Shrouded



Part Number	CL No.	Split sleeve
HSC2-8SR-D1(01)	704-0270-8-01	Zirconia
HSC2-8SR-1(03)	704-0266-0-03	None

Note: When applying excessive force to the plug or inserting in an odd angle, the zirconia sleeve within the adapter might be damaged.  
 ※ The type of SC plug that can be mated is tool decoupling type.

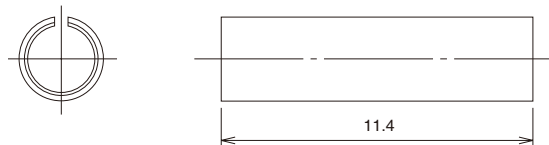
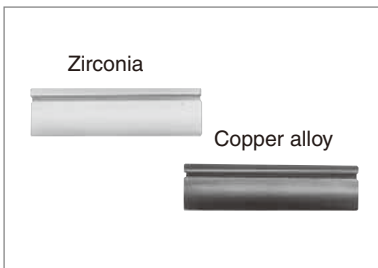
●8-Position / Unshrouded



Part Number	CL No.	Split sleeve
HSC2-8SR-2(51)	704-0318-2-51	Phosphor Bronze
HSC2-8SR-D2(01)	704-0403-0-01	Zirconia
HSC2-8SR-2(03)	704-0318-2-03	None

Note: When applying excessive force to the plug or inserting in an odd angle, the zirconia sleeve within the adapter might be damaged.  
 ※ The type of SC plug that can be mated is tool decoupling type.

■Split sleeve



Part Number	CL No.	Split sleeve
HSC-SLIT-SLEEVE(51)	704-0275-1-51	Phosphor Bronze
HSC-D	704-0264-5-00	Zirconia

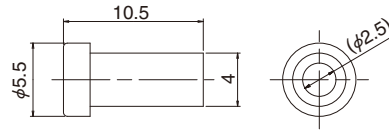
Apr.1.2017 Copyright 2017 HIROSE ELECTRIC CO., LTD. All Rights Reserved.

SC  
FC  
MU  
Harsh Environment  
Attenuators  
Terminators  
POF / PCF

## 5. Caps

### ■ For plug

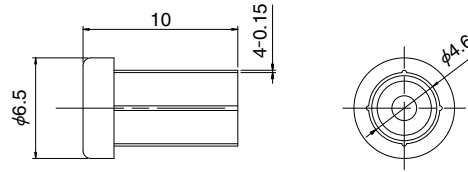
#### ● Ferrule cap



Part Number	CL No.
HSC-C7(20)	704-0420-9-20

※ HRS standard cap for plugs.  
 ※ Press fit to ferrule outer.

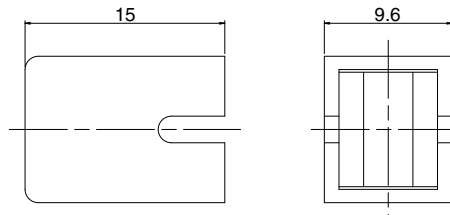
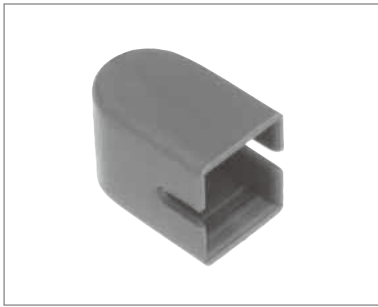
#### ● Press fit to plug frame inner type cap



Part Number	CL No.
HSC-C1	704-0484-1-00

※ Press fit to plug frame inner. The cap will not touch the outside ferrule.

#### ● Cap for SC plug housing



Part Number	CL No.
HSC-C8	704-0542-6-00

※ Press fit to outside of SC slider.

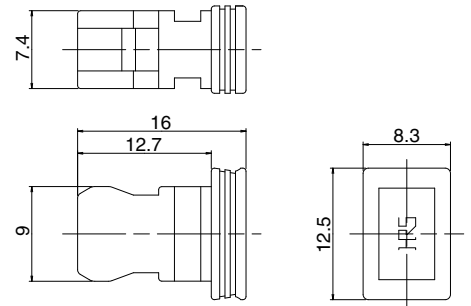
### ■ For adapter

#### ● Simplex plastic cap



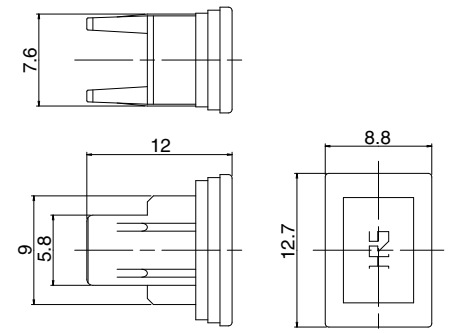
Part Number	CL No.
HSC-C5	704-0363-7-00

※ HRS standard cap for SC adapters.  
 ※ The cap is inserted in the lock part of the adapter.



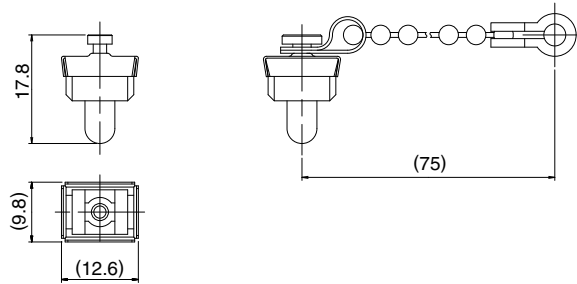
Part Number	CL No.
HSC-C9	704-0588-7-00

※ Press fit to adapter inner.





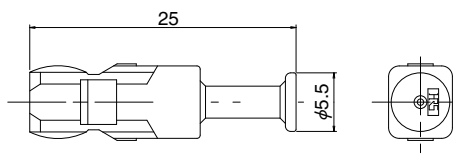
● Simplex rubber cap



Part Number	CL No.	Remarks
HSC-C3(40)	704-0101-0-40	without cahin
HSC-C2(40)	704-0061-8-40	with cahin

※ Press fit to adapter inner.

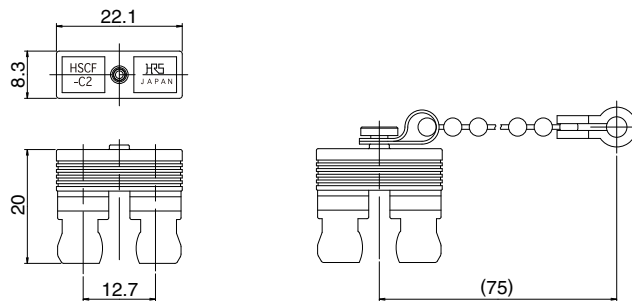
● Simplex plastic cap



Part Number	CL No.
HSC2-C2	704-0487-0-00

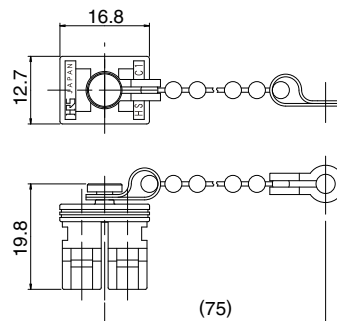
※ The cap is inserted in the lock part of the adapter.

● Duplex F-type plastic cap



Part Number	CL No.	Remarks
HSCF-C2(40)	704-2126-2-40	without cahin
HSCF-C3(40)	704-2135-3-40	with cahin

● Duplex H-type plastic cap



Part Number	CL No.	Remarks
HSCH-C1(40)	704-2122-1-40	with cahin

## 6. Tools

### ● HSC2 Insertion/Extraction Tool

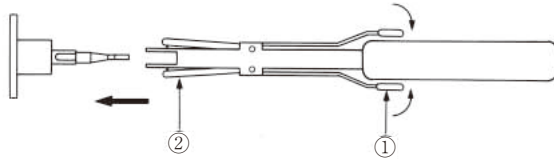


Part Number	CL No.	Applicable Products
HSC-T1-L	704-0286-8-00	HSC2 Series

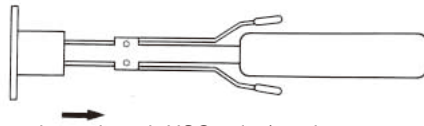
Note. Handle with care because slim tips breaks easily.

#### <How to operate>

1. Open the tip of tool by compressing levers as shown below.

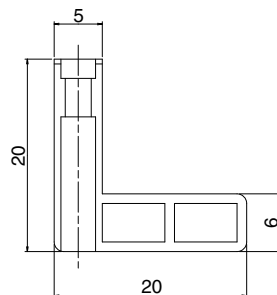
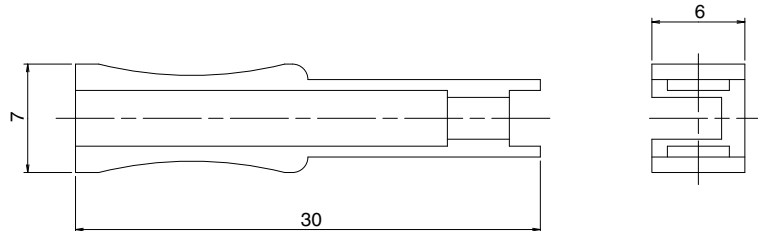
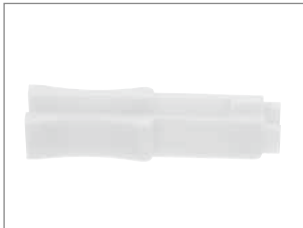


2. Insert the tool (with opening the tips) into adapter.



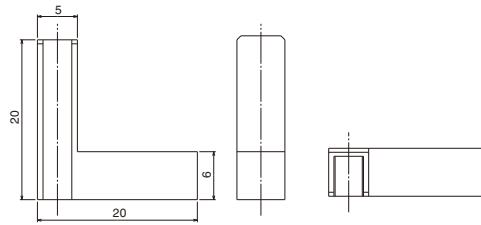
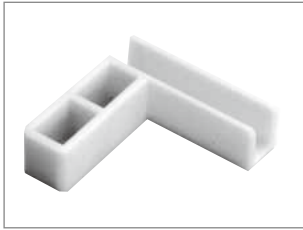
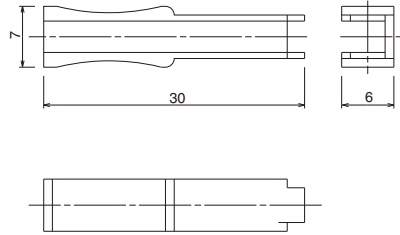
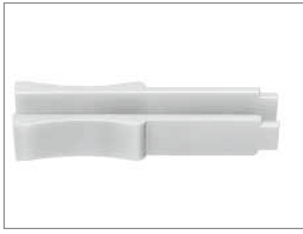
3. Release the levers (then the tool catch HSC2 plug) and you can release the connector.

### ● Extraction tool for Simplified plug (without boots)



Part Number	CL No.	Shape
HSC-T13	704-0449-0-00	Straight
HSC-T8	704-0447-5-00	L type

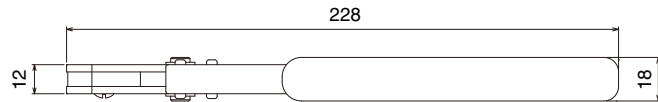
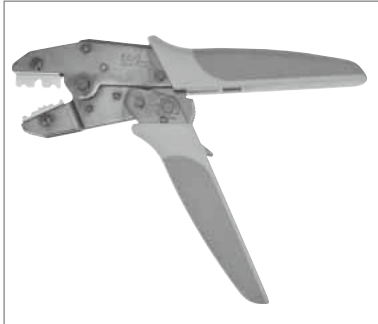
● Extraction tool for Simplified plug (with boots)



Part Number	CL No.	Shape
HSC-T10	704-0350-5-00	Straight
HSC-T12	704-0448-8-00	L type

● Crimp Tool

This is used in crimping of Kevlar or jacket at time of the plug (for cable diameter 2mm & 3mm) termination.



Part Number	CL No.
HT501/HSC-T20	CL902-6064-2

- (1) 2mm Jacket crimping: Please select section "2mm".
- 3mm Jacket crimping: Please select section "3mm".
- (2) Kevlar™ crimping: Please select section center round groove.

● Plug assemble tool



Part Number	CL No.
HSC2-PH2/CVMD	902-6029-1