



Chipsmall Limited consists of a professional team with an average of over 10 year of expertise in the distribution of electronic components. Based in Hongkong, we have already established firm and mutual-benefit business relationships with customers from,Europe,America and south Asia,supplying obsolete and hard-to-find components to meet their specific needs.

With the principle of “Quality Parts,Customers Priority,Honest Operation,and Considerate Service”,our business mainly focus on the distribution of electronic components. Line cards we deal with include Microchip,ALPS,ROHM,Xilinx,Pulse,ON,Everlight and Freescale. Main products comprise IC,Modules,Potentiometer,IC Socket,Relay,Connector.Our parts cover such applications as commercial,industrial, and automotives areas.

We are looking forward to setting up business relationship with you and hope to provide you with the best service and solution. Let us make a better world for our industry!



Contact us

Tel: +86-755-8981 8866 Fax: +86-755-8427 6832

Email & Skype: info@chipsmall.com Web: www.chipsmall.com

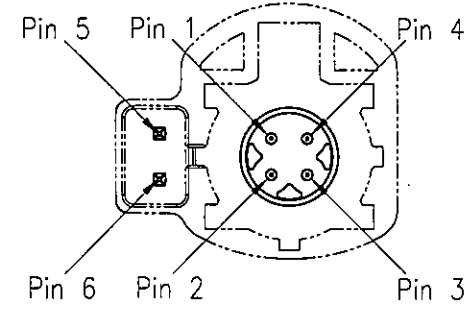
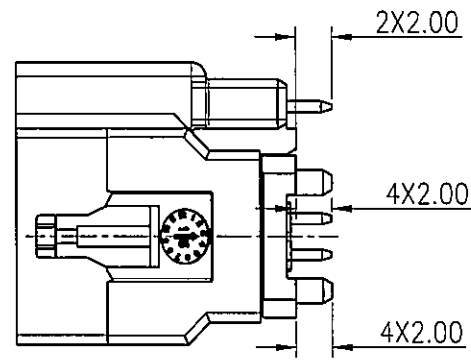
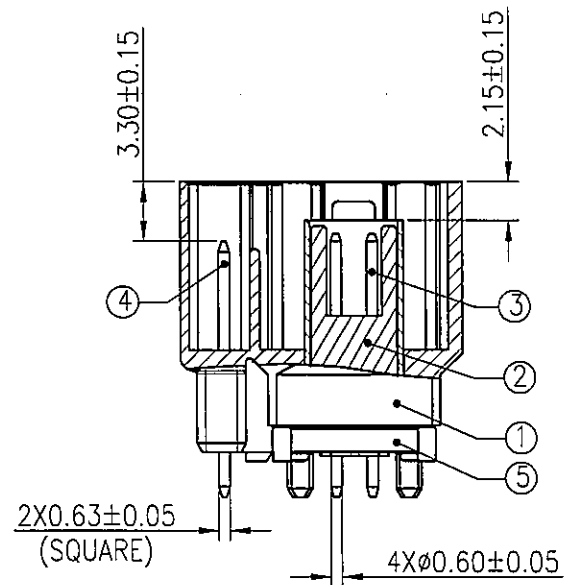
Address: A1208, Overseas Decoration Building, #122 Zhenhua RD., Futian, Shenzhen, China



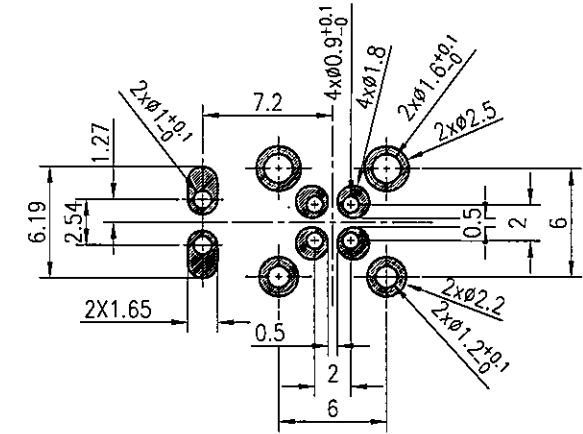
This document is the property of Amphenol Corporation and is delivered on the express condition that it is not to be disclosed, reproduced or used, in whole or in part, for manufacture or sale by anyone other than Amphenol Corporation without its prior consent, & that no right is granted to disclose or to use any information in this document.

CUSTOMER DRAWING

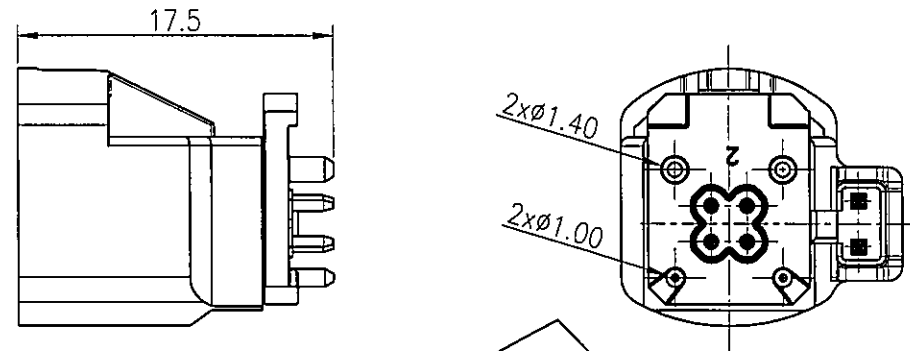
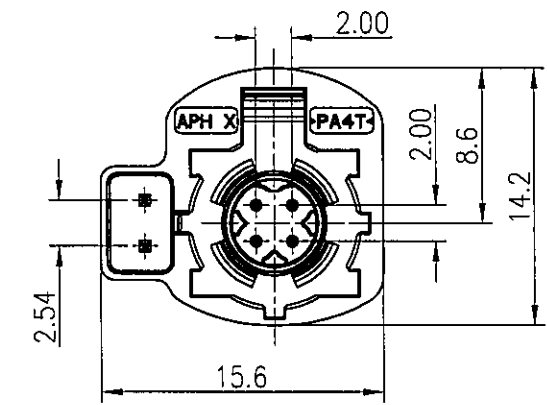
REVISIONS				
SYM	ECN	DESCRIPTION	DATE	APPROVED
3	HK7313	FIRST RELEASE	02/17'16	IP



PINNING STANDARD



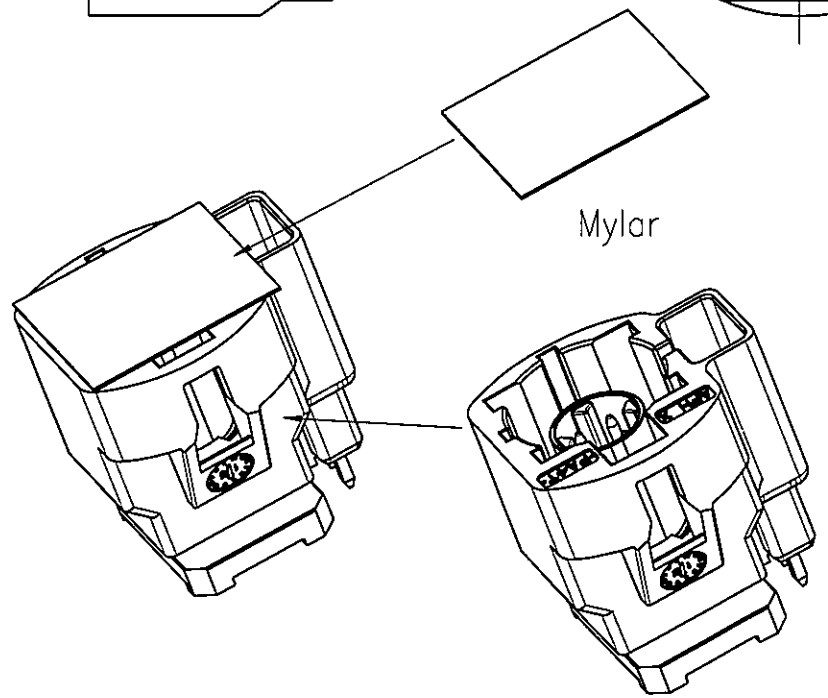
RECOMMENDED PCB LAYOUT TOP VIEW
TOLERANCE: ±0.05(PCB THICKNESS=1.6±0.15mm)
THICKNESS OF STENCIL: 0.2mm



- Notes:
- Material:
 - ① Housing: High temperature Thermoplastic,color see table 1.
 - ② Dielectric: High temperature thermoplastic,color black.
 - ③ Center contacts: Copper alloy.
 - ④ Square Contact : Copper alloy.
 - ⑤ Outer Contact: Zinc alloy.
 - Finish:
 - ③ Center contacts: Gold plated over Nickel under plated.
 - ④ Square contact: Tin plated.
 - ⑤ Outer Contact: Tin plated.
 - RoHS compliant.
 - Order P/N system:

Table 1

Plug	Coding	Color	Ral
	A	Black	9005
	B	White	9001
	C	Blue	5005
	D	Claret	4004
	E	Green	6002
	F	Brown	8011
	Z	Waterblue	5021



3D PROFILE



HSD NXSP PCB 15X
Coding: _____
See table 1

Packing method:
A- Packing by tape & reel
B- Packing by tray
C- Single Packing

UNLESS OTHERWISE SPECIFIED TOLERANCES		APPROVAL		DATE	Amphenol
U.S. METRIC		DRAWN	Kaka Yang	02/17'16	
.X +/-	0.50	CHECKED	Wilber	2/18/16	TITLE HSD + 2POS POWER PLUG, VERTICAL NORTH LOCATION
.XX +/-	0.25	CHECKED			
.XXX +/-	0.20	DRAWING FILE: S:\PE\Mehta\DRAWING\HSD\HSDNXSPPCB15X-3.DWG			SIZE A3
FRACTIONS +/-	5'	REMOVE SHARP EDGES			
ANGLES +/-	5'	ANGLE OF PROJECTION			DRAWING NO. HSDNXSPPCB15X
DIMENSIONS		U.S. INCHES			REV. 3
METRIC MM		SCALE N/A			SHEET 1 OF 1