



Chipsmall Limited consists of a professional team with an average of over 10 year of expertise in the distribution of electronic components. Based in Hongkong, we have already established firm and mutual-benefit business relationships with customers from,Europe,America and south Asia,supplying obsolete and hard-to-find components to meet their specific needs.

With the principle of “Quality Parts,Customers Priority,Honest Operation,and Considerate Service”,our business mainly focus on the distribution of electronic components. Line cards we deal with include Microchip,ALPS,ROHM,Xilinx,Pulse,ON,Everlight and Freescale. Main products comprise IC,Modules,Potentiometer,IC Socket,Relay,Connector.Our parts cover such applications as commercial,industrial, and automotives areas.

We are looking forward to setting up business relationship with you and hope to provide you with the best service and solution. Let us make a better world for our industry!



Contact us

Tel: +86-755-8981 8866 Fax: +86-755-8427 6832

Email & Skype: info@chipsmall.com Web: www.chipsmall.com

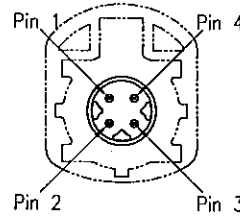
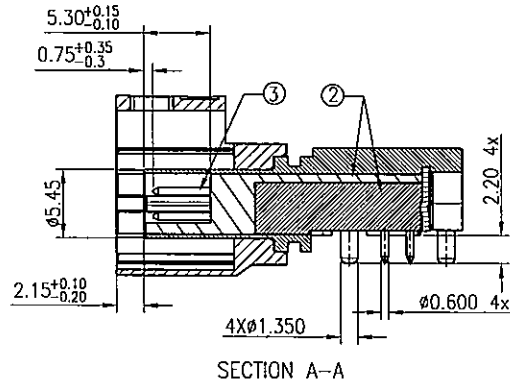
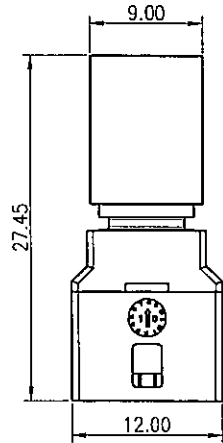
Address: A1208, Overseas Decoration Building, #122 Zhenhua RD., Futian, Shenzhen, China



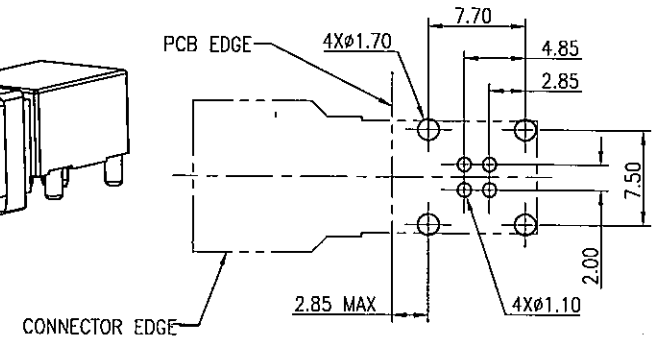
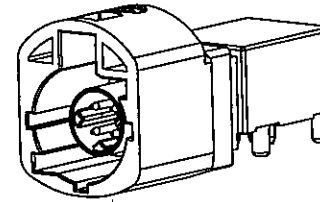
This document is the property of Amphenol Corporation and is delivered on the express condition that it is not to be disclosed, reproduced or used, in whole or in part, for manufacture or sale by anyone other than Amphenol Corporation without its prior consent, & that no right is granted to disclose or to use any information in this document.

CUSTOMER DRAWING

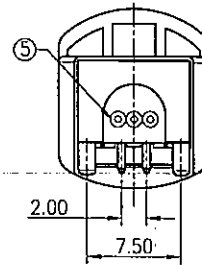
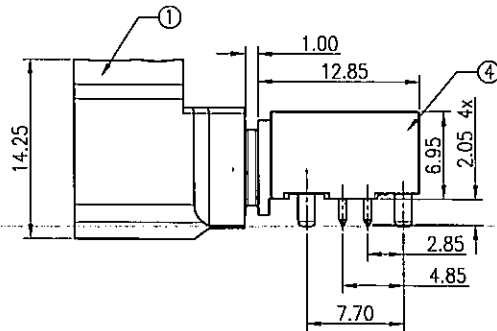
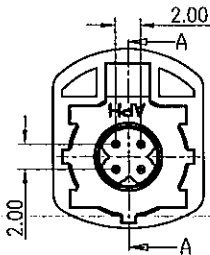
REVISIONS				
SYM	ECN	DESCRIPTION	DATE	APPROVED
1	HK7024	RELEASE TO CUSTOMER	12/23/13	IP
2	HK7477	ADD PLATING INFORMATION	11/3/16	IP



Pinning standard



RECOMMENDED PCB LAYOUT TOP VIEW
TOLERANCE: ±0.05 (PCB THICKNESS=1.6±0.15mm)



Notes:

1. Material:

- ① Housing: High temperature thermoplastic, color see table 1.
- ② Dielectrics: High temperature thermoplastic, color black.
- ③ Center contact: Copper alloy.
- ④ Outer contact: Zinc alloy.
- ⑤ Cover: Stainless Steel.

2. Finish:

- ③ Center contact: Gold plated 0.15um min. on contact area & gold flash on soldering tail over 1~3um Ni underplating;
- ④ Outer contact: 4um min. Solderable Ni plated over 10~17um Cu underplating.

4. RoHS compliant.

5. Order P/N system:

HSD NXRP PCB 12X

Coding:
See table 1

Packing method:

- A- Packing by tape & reel
- B- Packing by tray
- C- Single Packing



Table 1

Plug	Coding	Color	Ral
	A	Black	9005
	B	White	9001
	C	Blue	5005
	D	Claret	4004
	E	Green	6002
	F	Brown	8011
	Z	Waterblue	5021

Plug	Coding	Color	Ral
	G	Grey	7031
	H	Violet	4003
	J	Beige	1001
	K	Curry	1027
	L	Yellow green	6018
	M	Pastel orange	2003
	O	Light green	6027

UNLESS OTHERWISE SPECIFIED TOLERANCES		APPROVAL		DATE	Amphenol
U.S. METRIC		DRAWN	KAKA.Y	11/3/16	
X +/-	0.50	CHECKED	<i>[Signature]</i>	11/18/16	TITLE HSD R/A PLUG LOW PROFILE CONNECTOR NORTH LOCATION
.XX +/-	0.25	CHECKED			
.XXX +/-	0.20	DRAWING FILE			SIZE A4
FRACTIONS +/-		REMOVE SHARP EDGES			
ANGLES +/-	5°	ANGLE OF PROJECTION			DRAWING NO. HSD NXRP PCB 12X
FOR MATERIALS AND FINISHES SEE NOTES			U.S. INCHES		
DIMENSIONS			METRIC MM		SCALE 1:1
SHEET 1 OF 1					