



Chipsmall Limited consists of a professional team with an average of over 10 year of expertise in the distribution of electronic components. Based in Hongkong, we have already established firm and mutual-benefit business relationships with customers from,Europe,America and south Asia,supplying obsolete and hard-to-find components to meet their specific needs.

With the principle of “Quality Parts,Customers Priority,Honest Operation,and Considerate Service”,our business mainly focus on the distribution of electronic components. Line cards we deal with include Microchip,ALPS,ROHM,Xilinx,Pulse,ON,Everlight and Freescale. Main products comprise IC,Modules,Potentiometer,IC Socket,Relay,Connector.Our parts cover such applications as commercial,industrial, and automotives areas.

We are looking forward to setting up business relationship with you and hope to provide you with the best service and solution. Let us make a better world for our industry!



## Contact us

Tel: +86-755-8981 8866 Fax: +86-755-8427 6832

Email & Skype: info@chipsmall.com Web: www.chipsmall.com

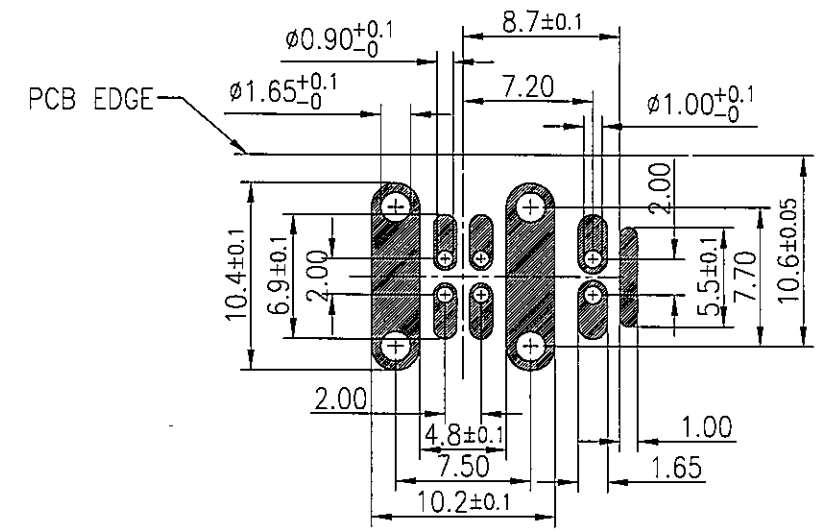
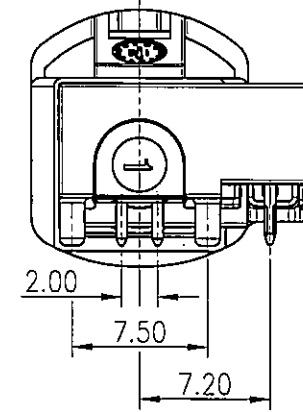
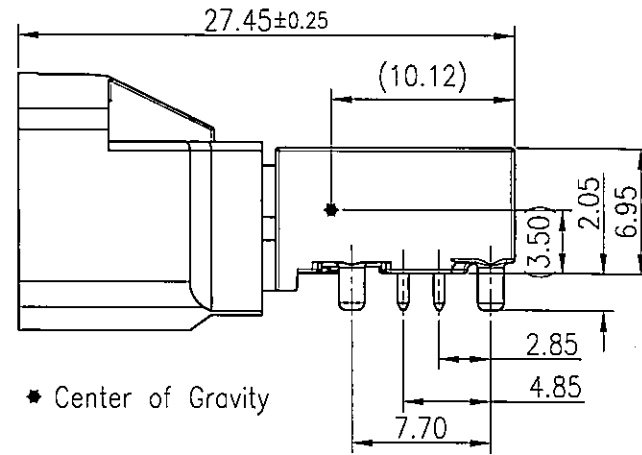
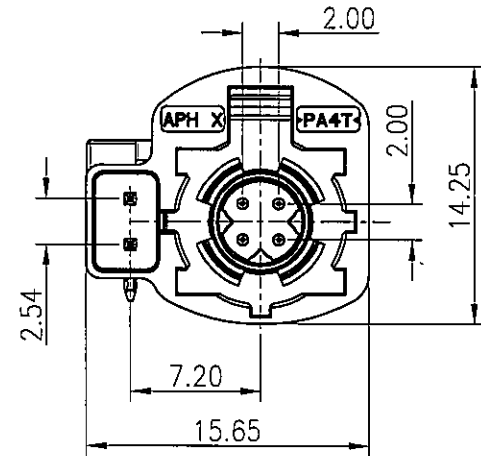
Address: A1208, Overseas Decoration Building, #122 Zhenhua RD., Futian, Shenzhen, China



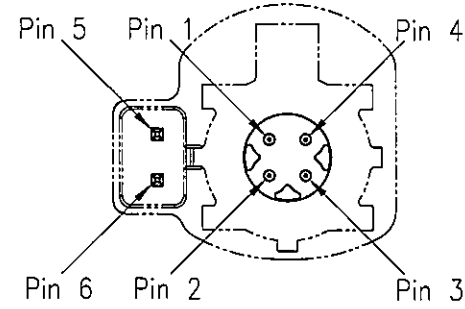
This document is the property of Amphenol Corporation and is delivered on the express condition that it is not to be disclosed, reproduced or used, in whole or in part, for manufacture or sale by anyone other than Amphenol Corporation without its prior consent, & that no right is granted to disclose or to use any information in this document.

# CUSTOMER DRAWING

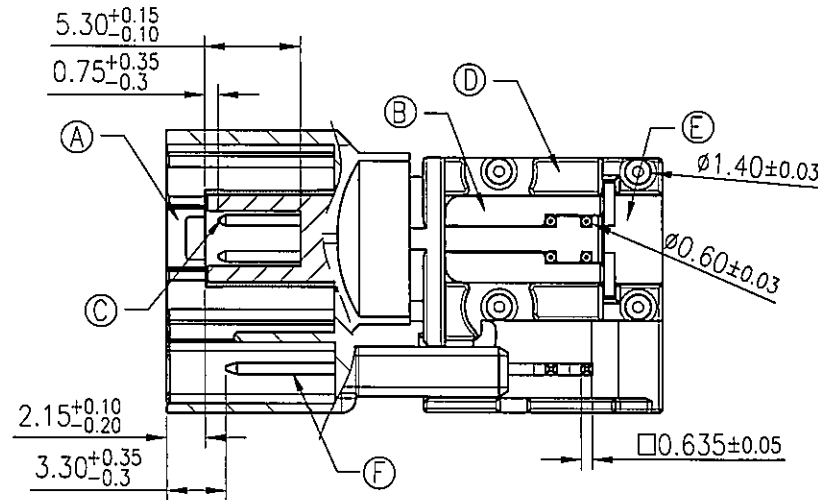
REVISIONS				
SYM	ECN	DESCRIPTION	DATE	APPROVED
5	HK7310	new design	1/25'16	IP



RECOMMENDED PCB LAYOUT TOP VIEW  
TOLERANCE: ±0.05 (PCB THICKNESS=1.6±0.15mm)



PINNING STANDARD



**Notes:**

1. Material:

- Ⓐ Housing: High temperature thermoplastic, color see table 1.
- Ⓑ Dielectric: High temperature thermoplastic, color black.
- Ⓒ Center contact: Copper alloy.
- Ⓓ Outer contact: Zinc alloy.
- Ⓔ Cover: Zinc alloy.
- Ⓕ MQS contact: Copper alloy.

2. Finish:

- Ⓒ Center contact: Gold plated at mating area;
- Ⓓ Outer contact: Tin plated.
- Ⓕ MQS contact: Tin plated.

3. RoHs compliant.

4. Order P/N system:

HSD NXRP PCB 7X

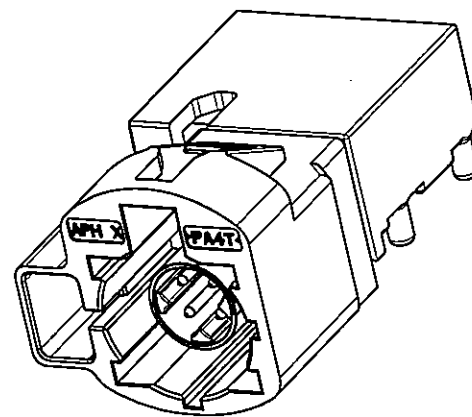
Coding: \_\_\_\_\_  
See table 1

Packing method:

- A- Packing by tape & reel
- B- Packing by tray
- C- Single Packing

Table 1

Plug	Coding	Color	Ral
	A	Black	9005
	B	White	9001
	C	Blue	5005
	D	Claret	4004
	E	Green	6002
	F	Brown	8011
	Z	Waterblue	5021



3D PROFILE



UNLESS OTHERWISE SPECIFIED TOLERANCES U.S. METRIC .X +/- 0.50 .XX +/- 0.20 .XXX +/- 0.10 FRACTIONS +/- ANGLES +/- 5°	APPROVAL	DATE	Amphenol
	DRAWN: Kaka Yang	1/25'16	
FOR MATERIALS AND FINISHES SEE NOTES	CHECKED: Wither	1/28'16	TITLE
REMOVE SHARP EDGES	DRAWING FILE: S:\PE Master\DRAWING\HSD\HSDNXRPPCB7X-S.DWG		HSD + 2MQS R/A PLUG NORTH LOCATION
DIMENSIONS U.S. INCHES METRIC MM	ANGLE OF PROJECTION	SIZE	DRAWING NO.
		A3	HSDNXRPPCB7X
		SCALE	REV.
		1:1	5
		SHEET 1 OF 1	