



Chipsmall Limited consists of a professional team with an average of over 10 year of expertise in the distribution of electronic components. Based in Hongkong, we have already established firm and mutual-benefit business relationships with customers from,Europe,America and south Asia,supplying obsolete and hard-to-find components to meet their specific needs.

With the principle of "Quality Parts,Customers Priority,Honest Operation,and Considerate Service",our business mainly focus on the distribution of electronic components. Line cards we deal with include Microchip,ALPS,ROHM,Xilinx,Pulse,ON,Everlight and Freescale. Main products comprise IC,Modules,Potentiometer,IC Socket,Relay,Connector.Our parts cover such applications as commercial,industrial, and automotives areas.

We are looking forward to setting up business relationship with you and hope to provide you with the best service and solution. Let us make a better world for our industry!



Contact us

Tel: +86-755-8981 8866 Fax: +86-755-8427 6832

Email & Skype: info@chipsmall.com Web: www.chipsmall.com

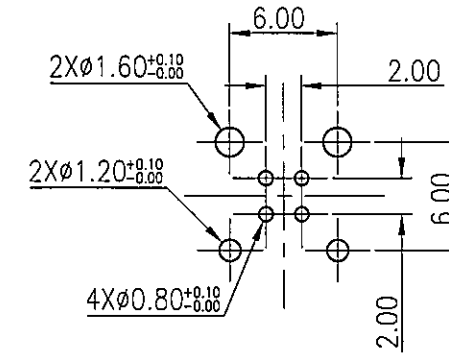
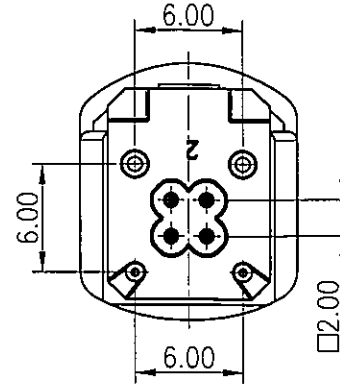
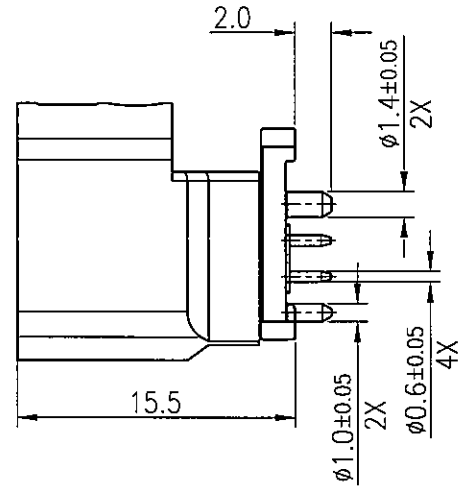
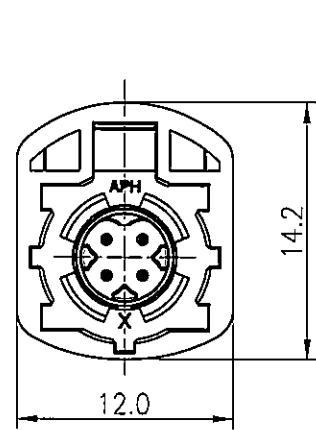
Address: A1208, Overseas Decoration Building, #122 Zhenhua RD., Futian, Shenzhen, China



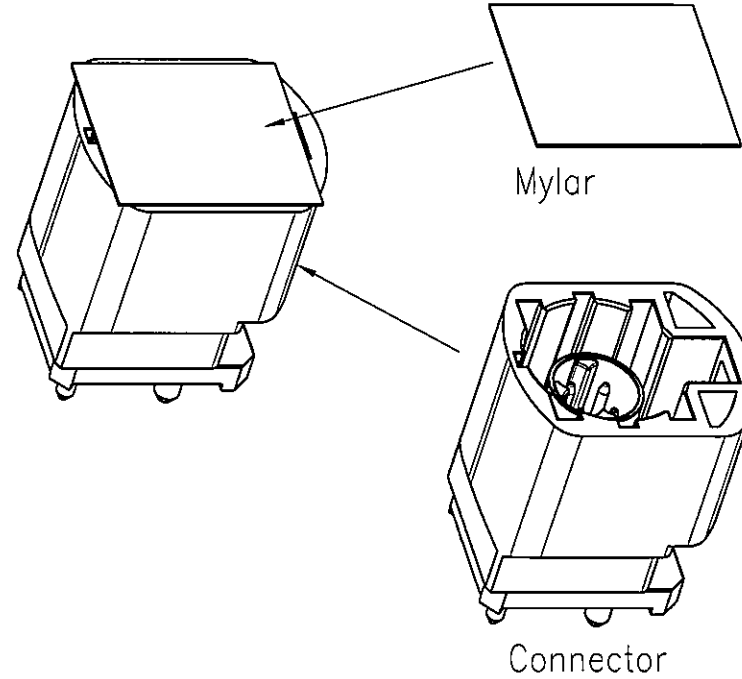
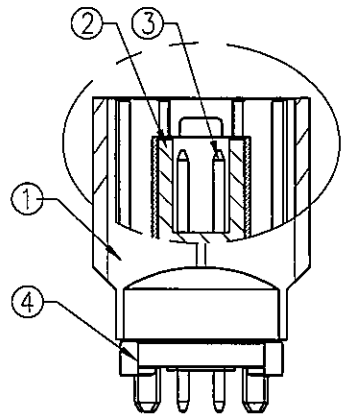
This document is the property of Amphenol Corporation and is delivered on the express condition that it is not to be disclosed, reproduced or used, in whole or in part, for manufacture or sale by anyone other than Amphenol Corporation without its prior consent, & that no right is granted to disclose or to use any information in this document.

CUSTOMER DRAWING

REVISIONS				
SYM	ECN	DESCRIPTION	DATE	APPROVED
2	HK7312	RELEASE TO CUSTOMER	2/2'16	IP



RECOMMENDED PCB LAYOUT TOP VIEW
TOLERANCE: ± 0.05 (PCB THICKNESS = 1.6 ± 0.15 mm)



Notes:

1. Material:

- ① Housing: High temperature Thermoplastic, color see table 1.
- ② Dielectric: High temperature thermoplastic, color black.
- ③ Center contacts: Copper alloy.
- ④ Outer contact : Zinc alloy.

2. Finish:

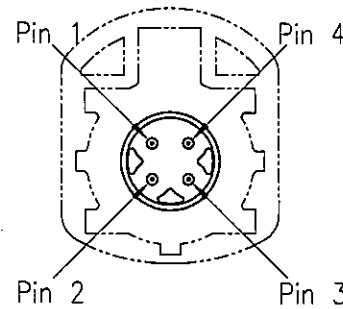
- ③ Center contacts: 0.15 μ m Min gold mating area; gold flash on solder tail.
- ④ Outer contact : 1.25-6 μ m matte tin on solder tail.

3. RoHS compliant.

4. Order P/N system:

TABLE 1

PLUG	CODING	COLOR	RAL
	A	JET BLACK	SIM. 9005
	B	CREAM	SIM. 9001
	C	SIGNAL BLUE	SIM. 5005
	D	CLARET VIOLET	SIM. 4004
	E	LEAF GREEN	SIM. 6002
	F	NUT BROWN	SIM. 8011
	Z	WATER BLUE	SIM. 5021



Pinning standard

HSD NXSP PCB14X

Coding: _____
See table 1

Packing method:

- A- Packing by tape & reel
- B- Packing by tray
- C- In bulk



UNLESS OTHERWISE SPECIFIED TOLERANCES U.S. METRIC .X +/- 0.50 .XX +/- 0.25 .XXX +/- 0.20 FRACTIONS +/- ANGLES +/- 5°	APPROVAL	DATE	Amphenol
	DRAWN Kaka Yang	2/2'16	
FOR MATERIALS AND FINISHES SEE NOTES	CHECKED Wilber	2/2'16	TITLE HSD VERTICAL PLUG CONNECTOR NORTH LOCATION
REMOVE SHARP EDGES	DRAWING FILE: S:\PE Master\DRAWING\HSD\HSDNXSPPCB14X-2		
DIMENSIONS U.S. INCHES METRIC MM	ANGLE OF PROJECTION	SIZE DRAWING NO. REV. A3 HSDNXSPPCB14X 2	
		SCALE N/A	SHEET 1 OF 1