



Chipsmall Limited consists of a professional team with an average of over 10 year of expertise in the distribution of electronic components. Based in Hongkong, we have already established firm and mutual-benefit business relationships with customers from,Europe,America and south Asia,supplying obsolete and hard-to-find components to meet their specific needs.

With the principle of “Quality Parts,Customers Priority,Honest Operation,and Considerate Service”,our business mainly focus on the distribution of electronic components. Line cards we deal with include Microchip,ALPS,ROHM,Xilinx,Pulse,ON,Everlight and Freescale. Main products comprise IC,Modules,Potentiometer,IC Socket,Relay,Connector.Our parts cover such applications as commercial,industrial, and automotives areas.

We are looking forward to setting up business relationship with you and hope to provide you with the best service and solution. Let us make a better world for our industry!



## Contact us

Tel: +86-755-8981 8866 Fax: +86-755-8427 6832

Email & Skype: info@chipsmall.com Web: www.chipsmall.com

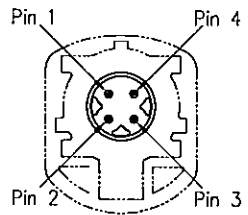
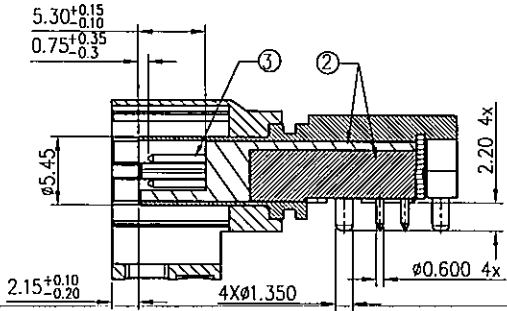
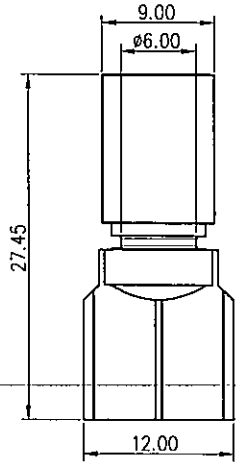
Address: A1208, Overseas Decoration Building, #122 Zhenhua RD., Futian, Shenzhen, China



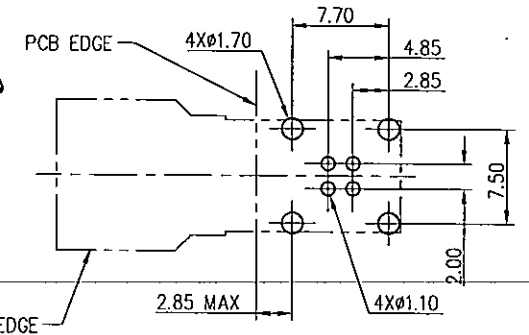
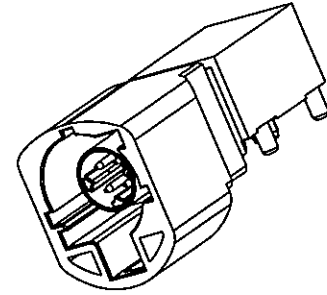
This document is the property of Amphenol Corporation and is delivered on the express condition that it is not to be disclosed, reproduced or used, in whole or in part, for manufacture or sale by anyone other than Amphenol Corporation without its prior consent, & that no right is granted to disclose or to use any information in this document.

# CUSTOMER DRAWING

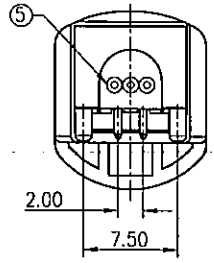
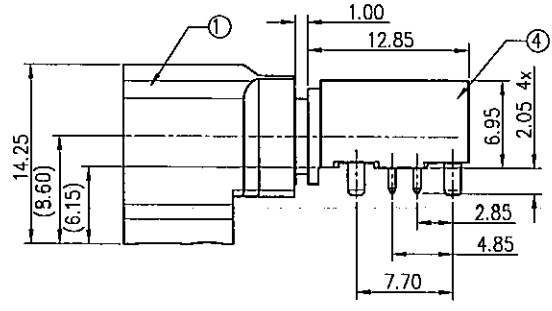
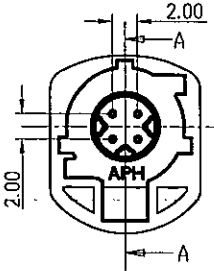
REVISIONS				
SYM	ECN	DESCRIPTION	DATE	APPROVED
2	HK7488	ADD PLATING INFORMATION	11/21'16	IP



Pinning standard



RECOMMENDED PCB LAYOUT TOP VIEW  
TOLERANCE: ±0.05(PCB THICKNESS=1.6±0.15mm)



Notes:

- Material:
  - ①Housing: High temperature thermoplastic,color see table 1.
  - ②Dielectrics: High temperature thermoplastic,color black.
  - ③Center contact: Copper alloy.
  - ④Outer contact : Zinc alloy.
  - ⑤Cover: Stainless Steel.
- Finish:
  - ③Center contact: Gold plated 0.15um min. on contact area & gold flash on soldering tail over 1um min. Ni underplating;
  - ④Outer contact : 4um Min. Solderable Ni plated over 10~17um Cu underplating.
- RoHS compliant.
- Order P/N system:

HSD SXRPCB 12X

Coding:  See table 1

Packing method:  
A- Packing by tape & reel  
B- Packing by tray  
C- Single Packing



Table 1

Plug	Coding	Color	Ral	Plug	Coding	Color	Ral
	A	Black	9005		G	Grey	7031
	B	White	9001		H	Violet	4003
	C	Blue	5005		J	Beige	1001
	D	Claret	4004		K	Curry	1027
	E	Green	6002		L	Yellow green	6018
	F	Brown	8011		M	Pastel orange	2003
	Z	Waterblue	5021		O	Light green	6027

UNLESS OTHERWISE SPECIFIED TOLERANCES U.S. METRIC .X +/- 0.50 .XX +/- 0.25 .XXX +/- 0.20 FRACTIONS +/- 5' ANGLES +/- 5' FOR MATERIALS AND FINISHES SEE NOTES REMOVE SHARP EDGES	APPROVAL DRAWN KAKA.Y CHECKED <i>[Signature]</i> CHECKED <i>[Signature]</i>	DATE 11/21'16	Amphenol TITLE HSD R/A PLUG LOW PROFILE CONNECTOR SOUTH LOCATION SIZE DRAWING NO. A4 HSD SXRPCB 12X SCALE 1:1 SHEET 1 OF 1
	DRAWING FILE : S:\V\...		
	ANGLE OF PROJECTION 		
	DIMENSIONS U.S. INCHES METRIC MM		