



Chipsmall Limited consists of a professional team with an average of over 10 year of expertise in the distribution of electronic components. Based in Hongkong, we have already established firm and mutual-benefit business relationships with customers from,Europe,America and south Asia,supplying obsolete and hard-to-find components to meet their specific needs.

With the principle of “Quality Parts,Customers Priority,Honest Operation,and Considerate Service”,our business mainly focus on the distribution of electronic components. Line cards we deal with include Microchip,ALPS,ROHM,Xilinx,Pulse,ON,Everlight and Freescale. Main products comprise IC,Modules,Potentiometer,IC Socket,Relay,Connector.Our parts cover such applications as commercial,industrial, and automotives areas.

We are looking forward to setting up business relationship with you and hope to provide you with the best service and solution. Let us make a better world for our industry!



Contact us

Tel: +86-755-8981 8866 Fax: +86-755-8427 6832

Email & Skype: info@chipsmall.com Web: www.chipsmall.com

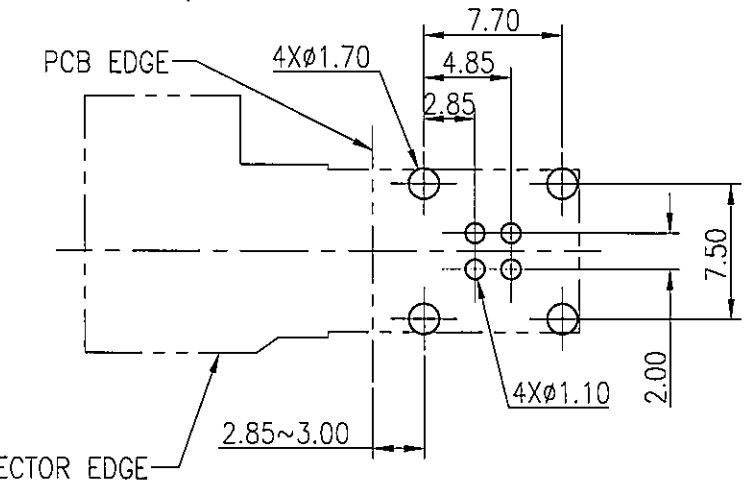
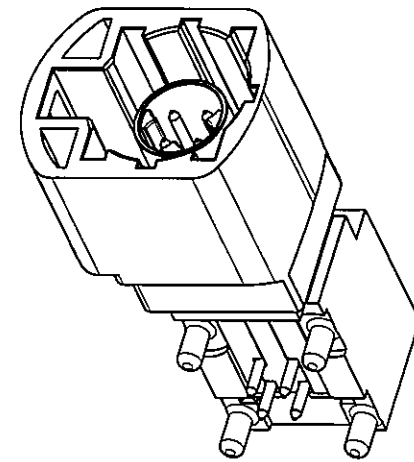
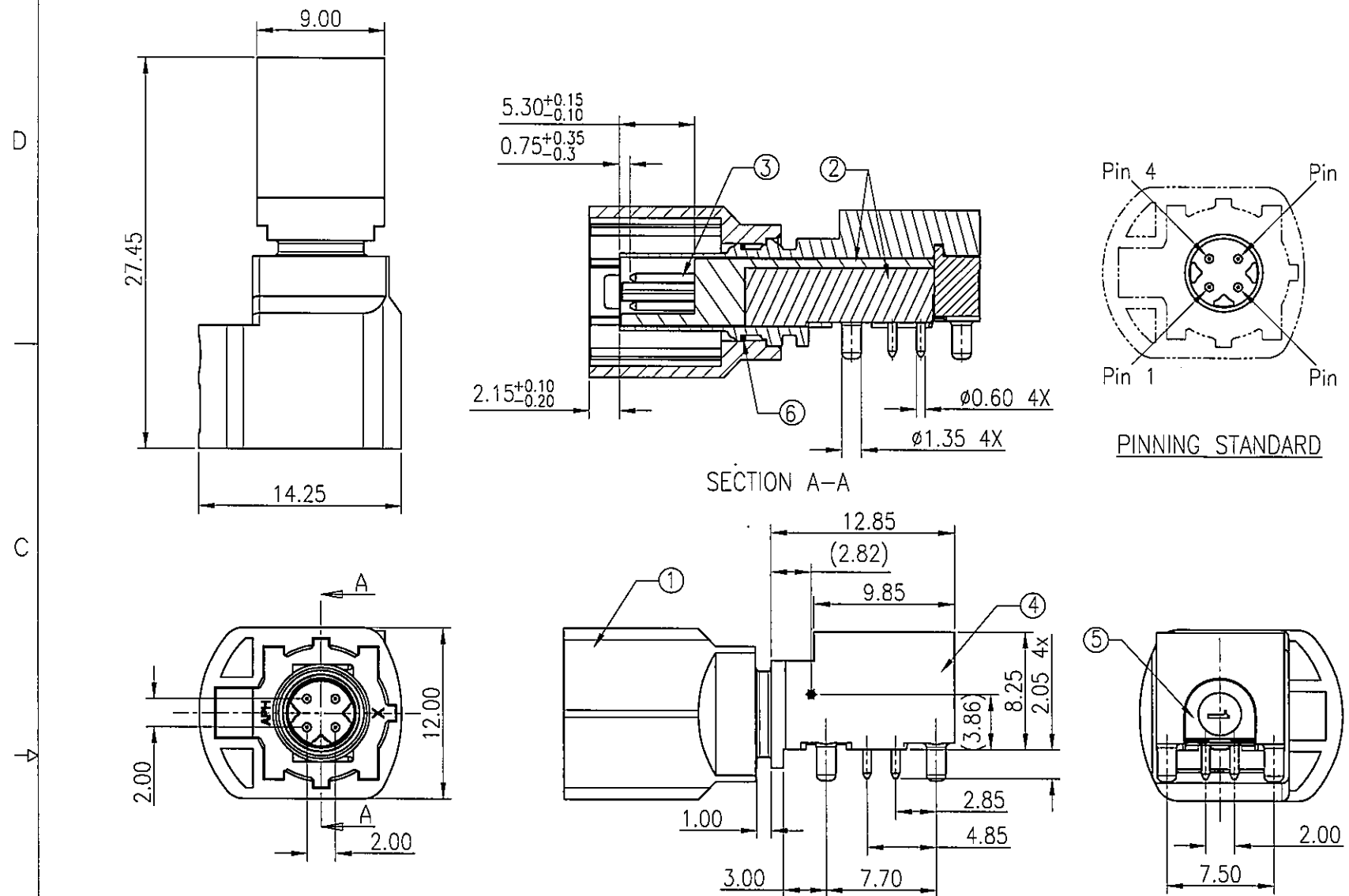
Address: A1208, Overseas Decoration Building, #122 Zhenhua RD., Futian, Shenzhen, China



This document is the property of Amphenol Corporation and is delivered on the express condition that it is not to be disclosed, reproduced or used, in whole or in part, for manufacture or sale by anyone other than Amphenol Corporation without its prior consent, & that no right is granted to disclose or to use any information in this document.

CUSTOMER DRAWING

REVISIONS				
SYM	ECN	DESCRIPTION	DATE	APPROVED
1	HK7304	RELEASE TO CUSTOMER	2016/1/8	IP



RECOMMENDED PCB LAYOUT TOP VIEW
TOLERANCE: ±0.05 (PCB THICKNESS = 1.6 ± 0.15 mm)

Notes:

- Material:
 - ① Housing: High temperature thermoplastic, color see table 1.
 - ② Dielectrics: High temperature thermoplastic, color black.
 - ③ Center contact: Copper alloy.
 - ④ Outer contact: Zinc alloy.
 - ⑤ Cover: Zinc alloy.
 - ⑥ Baffle: stainless steel.
- Finish:
 - ③ Center contact: 0.15um min. gold plated on contact area;
 - ④ Outer contact: 1.27um min. matte tin plated.
 - ⑤ Cover: 2um min. nickel plated.
- RoHS compliant.
- Order P/N system:

* Center of Gravity

Table 1

Plug	Coding	Color	Ral
	A	Black	9005
	B	White	9001
	C	Blue	5005
	D	Claret	4004
	E	Green	6002
	F	Brown	8011
	Z	Waterblue	5021

Plug	Coding	Color	Ral
	G	Grey	7031
	H	Violet	4003
	J	Beige	1001
	K	Curry	1027
	L	Yellow green	6018
	M	Pastel orange	2003
	O	Light green	6027



HSD WXP PCB 18X

Coding: See table 1

Packing method:
A- Packing by tape & reel
B- Packing by tray
C- Single Packing

UNLESS OTHERWISE SPECIFIED TOLERANCES		APPROVAL		DATE	Amphenol
U.S.	METRIC	DRAWN	KAKA.Yang	2016/1/8	
.X +/-	0.50	CHECKED	Wilber	1/8/16	TITLE HSD R/A PLUG LOW PROFILE CONNECTOR SMT TYPE, WEST LOCATION
.XX +/-	0.25	CHECKED			
.XXX +/-	0.20	DRAWING FILE: S:\PE Master\DRAWING\HSD\HSDWXP\PCB18X-rev1.DWG			SIZE A3
FRACTIONS +/-		REMOVE SHARP EDGES			DRAWING NO. HSDWXP PCB 18X
ANGLES +/-	5°	DIMENSIONS			REV. 1
		ANGLE OF PROJECTION			SCALE 1:1
		U.S. INCHES			SHEET 1 OF 1
		METRIC MM			