



Chipsmall Limited consists of a professional team with an average of over 10 year of expertise in the distribution of electronic components. Based in Hongkong, we have already established firm and mutual-benefit business relationships with customers from,Europe,America and south Asia,supplying obsolete and hard-to-find components to meet their specific needs.

With the principle of "Quality Parts,Customers Priority,Honest Operation,and Considerate Service",our business mainly focus on the distribution of electronic components. Line cards we deal with include Microchip,ALPS,ROHM,Xilinx,Pulse,ON,Everlight and Freescale. Main products comprise IC,Modules,Potentiometer,IC Socket,Relay,Connector.Our parts cover such applications as commercial,industrial, and automotives areas.

We are looking forward to setting up business relationship with you and hope to provide you with the best service and solution. Let us make a better world for our industry!



Contact us

Tel: +86-755-8981 8866 Fax: +86-755-8427 6832

Email & Skype: info@chipsmall.com Web: www.chipsmall.com

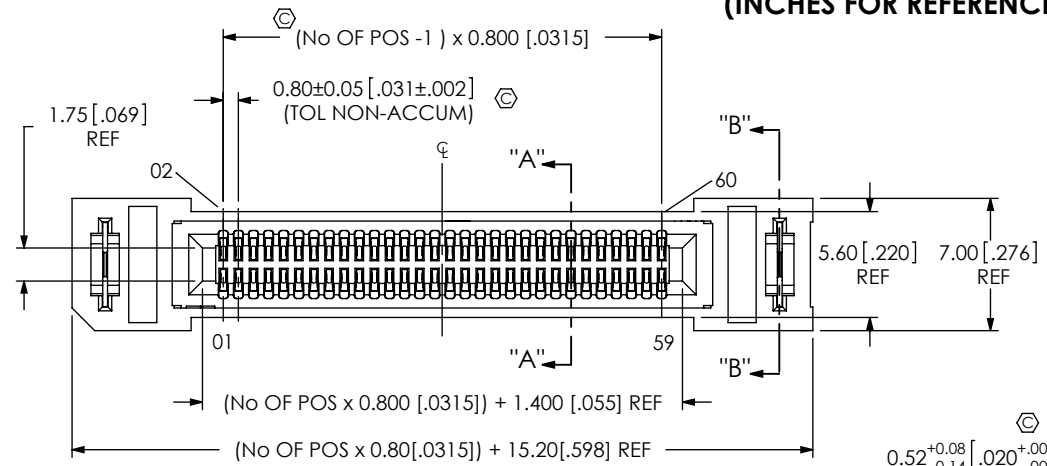
Address: A1208, Overseas Decoration Building, #122 Zhenhua RD., Futian, Shenzhen, China



DESIGNED & DIMENSIONED
IN MILLIMETERS
(INCHES FOR REFERENCE ONLY)

HSEC8-1XX-XX-X-D-EMXX

DO NOT
SCALE FROM
THIS PRINT



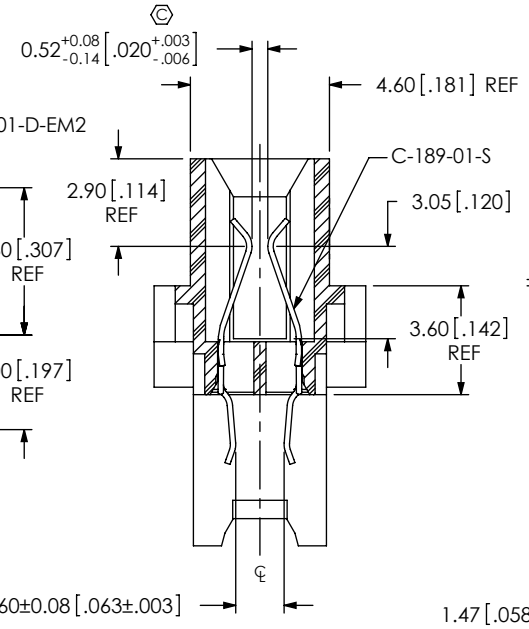
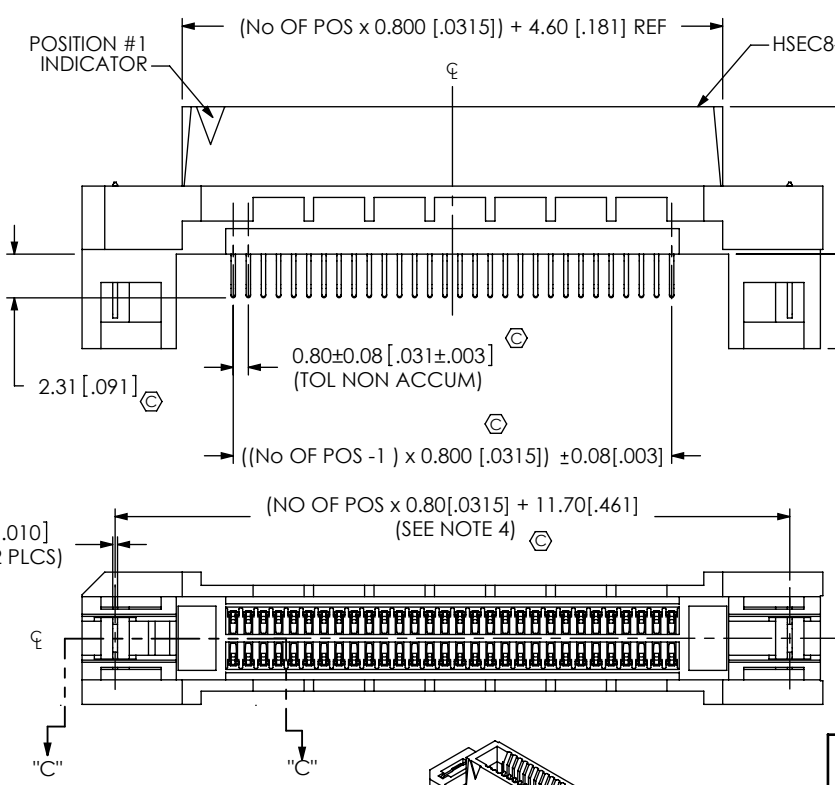
No OF POSITIONS
-10, -20, & -30 (SEE FIG. 1)
-13, -25, -37, -40, -49,
-50, & -60 (SEE FIG. 2)
(PER ROW)

CARD THICKNESS
-01: 1.57mm [.062] THICK CARD

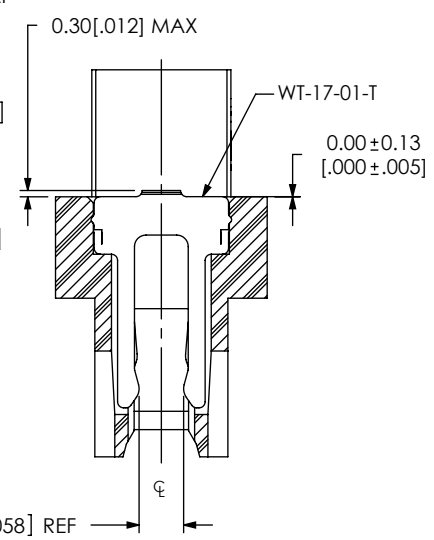
PLATING SPECIFICATION
-S: 30µ" SELECTIVE GOLD IN CONTACT AREA,
MATTE TIN ON TAIL
-L: 10µ" LIGHT SELECTIVE GOLD IN CONTACT AREA,
MATTE TIN ON TAIL

TAIL OPTION
-EM2: 1.57mm [.062] THICK PCB
-EM2L: 1.57mm [.062] THICK PCB
WITH WELD TAB LATCH
(SHT. 3, FIG. 3) (AVAILABLE
ONLY IN 13, 25, 37 & 49
POSITIONS)

ROW SPECIFICATION
-D: DOUBLE
(USE HSEC8-XX-01-D-EM2X)



SECTION "A"- "A"
SCALE 4 : 1



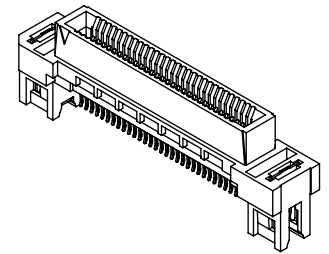
SECTION "B"- "B"
SCALE 4 : 1

FIG 1

FOR POSITIONS -10, -20 & -30
(SHOWN: HSEC8-130-01-S-D-EM2)

NOTES:

1. Ⓢ REPRESENTS A CRITICAL DIMENSION.
2. BURR ALLOWANCE: 0.04 [.0015] MAX.
3. MINIMUM PUSHOUT FORCE: 2.22 NEWTONS.
4. ALL TAIL TO TAIL DIMENSIONS TO BE MEASURED FROM TIP TO TIP.



<p>UNLESS OTHERWISE SPECIFIED, DIMENSIONS ARE IN MILLIMETERS.</p> <p>TOLERANCES ARE:</p> <p>DECIMALS ANGLES</p> <p>.X: ± 0.3 [.01] 2°</p> <p>.XX: ± 0.13 [.005]</p> <p>.XXX: ± 0.051 [.0020]</p>	<p>PROPRIETARY NOTE</p> <p>THIS DOCUMENT CONTAINS INFORMATION CONFIDENTIAL AND PROPRIETARY TO SAMTEC, INC. AND SHALL NOT BE REPRODUCED OR TRANSFERRED TO OTHER DOCUMENTS OR DISCLOSED TO OTHERS OR USED FOR ANY PURPOSE OTHER THAN THAT WHICH IT WAS OBTAINED WITHOUT THE EXPRESSED WRITTEN CONSENT OF SAMTEC, INC.</p>	<p>520 PARK EAST BLVD, NEW ALBANY, IN 47150 PHONE: 812-944-6733 FAX: 812-948-5047 e-Mail info@SAMTEC.com code 55322</p>
<p>F:\DWG\MISC\MKTG\HSEC8-1XX-XX-X-D-EMXX-MKT.SLDDRW</p>		<p>BY: BRATCHER 01/27/03 SHEET 1 OF 3</p>

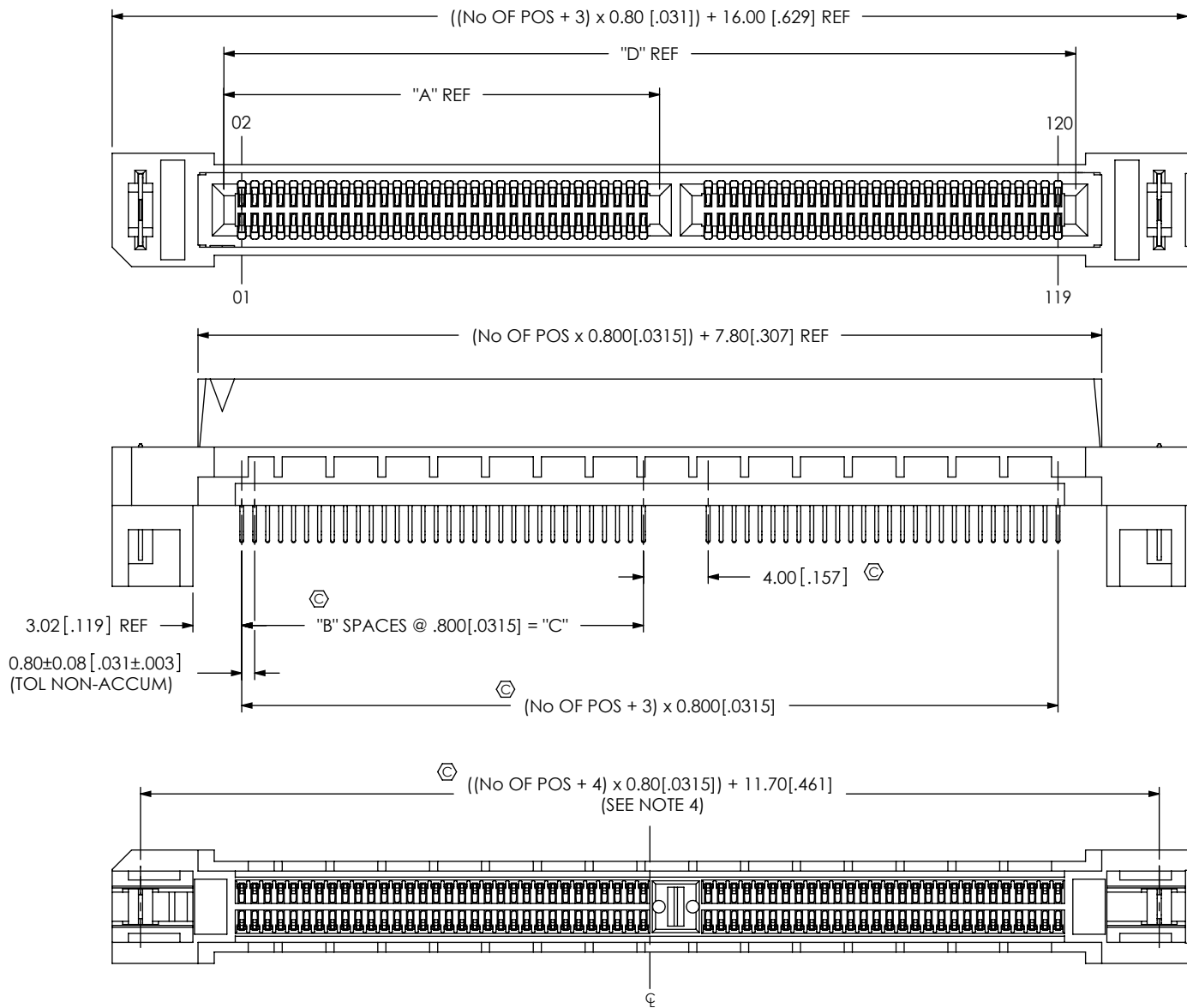


FIG 2

FOR POSITIONS -13, -25, -37, -40, -49, -50, -60
(SAME AS FIG 1, UNLESS OTHERWISE STATED)
(SHOWN: HSEC8-160-01-S-D-EM2)

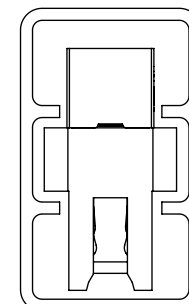
No OF POS	"A" REF	"B"	"C"	"D" REF
-13	6.10 [.240]	5	4.000 [.1575]	15.00 [.591]
-25	6.10 [.240]	5	4.000 [.1575]	24.60 [.969]
-37	18.10 [.713]	20	16.000 [.6299]	34.20 [1.346]
-40	18.90 [.744]	21	16.800 [.6614]	36.600 [1.441]
-49	22.90 [.902]	26	20.800 [.8189]	43.80 [1.724]
-50	22.90 [.902]	26	20.800 [.8189]	44.60 [1.756]
-60	26.90 [1.059]	31	24.800 [.9763]	52.60 [2.071]

F:\DWG\MISC\MKTG\HSEC8-1XX-XX-X-D-EMXX-MKT.SLDRW

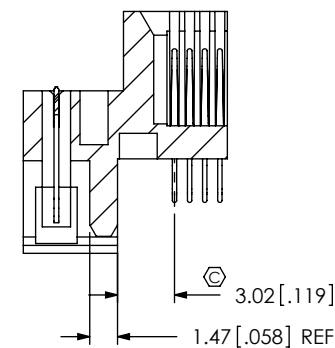
PACKAGING VIEW

FOR EM2

(PARTS TO HAVE POSITION #1 LOADED IN
SAME DIRECTION AS ARROW ON TUBE)



TUBE: PT-1-24-02-125
PLUG: TP-03



SECTION "C"- "C"

PROPRIETARY NOTE

THIS DOCUMENT CONTAINS INFORMATION
CONFIDENTIAL AND PROPRIETARY TO
SAMTEC, INC. AND SHALL NOT BE REPRODUCED
OR TRANSFERRED TO OTHER DOCUMENTS OR
DISCLOSED TO OTHERS OR USED FOR ANY
PURPOSE OTHER THAN THAT WHICH IT WAS
OBTAINED WITHOUT THE EXPRESSED WRITTEN
CONSENT OF SAMTEC, INC.

DO NOT SCALE DRAWING

SHEET SCALE: 1:0.4



520 PARK EAST BLVD. NEW ALBANY, IN 47150
PHONE: 812-944-6733 FAX: 812-948-5047
e-Mail info@SAMTEC.com code 55322

DESCRIPTION:

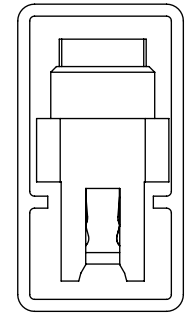
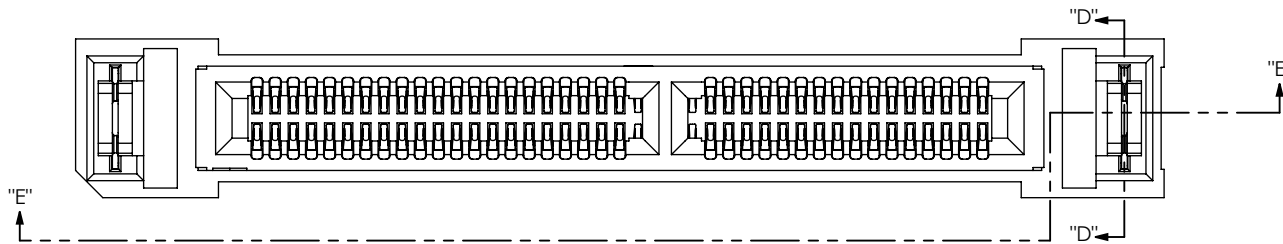
0.8mm HIGH SPEED, DUAL EDGE MOUNT, MINI-EDGE CARD ASSEMBLY

DWG. NO.

HSEC8-1XX-XX-X-D-EMXX

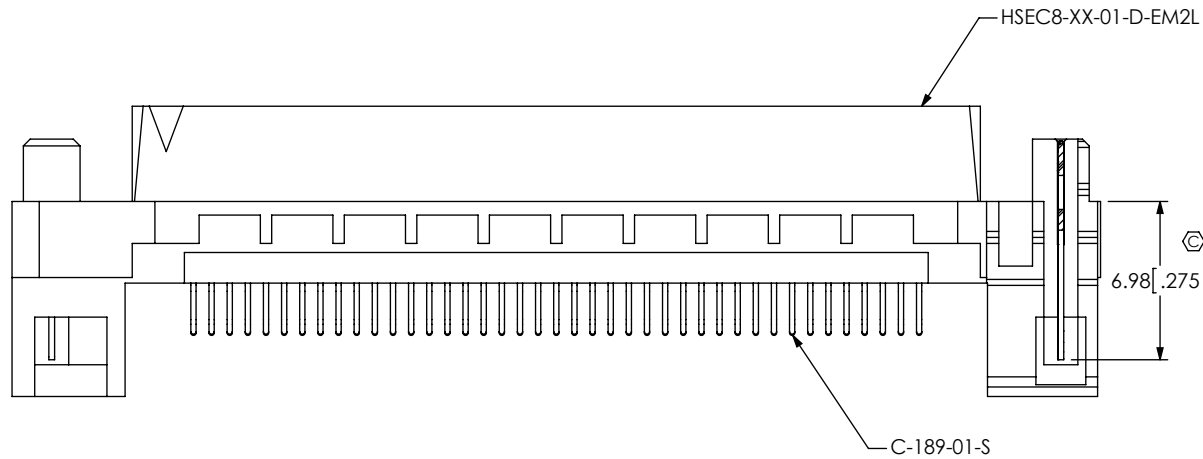
BY: BRATCHER 01/27/03

SHEET 2 OF 3

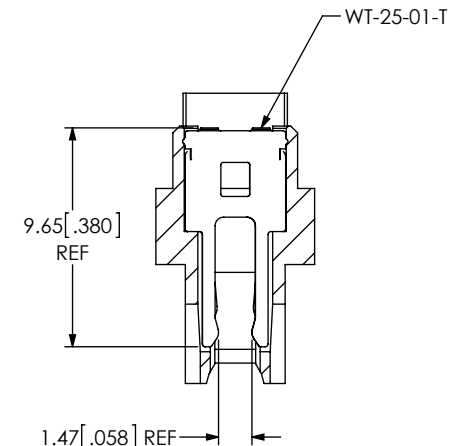


TUBE: PT-1-24-01-108
PLUG: TP-13

PACKAGING VIEW
FOR EM2L



SECTION "E"-"E"



SECTION "D"-"D"

FIG 3

(SAME AS FIG 2, UNLESS OTHERWISE STATED)
(SHOWN: HSEC8-137-01-S-D-EM2L)

PROPRIETARY NOTE

THIS DOCUMENT CONTAINS INFORMATION CONFIDENTIAL AND PROPRIETARY TO SAMTEC, INC. AND SHALL NOT BE REPRODUCED OR TRANSFERRED TO OTHER DOCUMENTS OR DISCLOSED TO OTHERS OR USED FOR ANY PURPOSE OTHER THAN THAT WHICH IT WAS OBTAINED WITHOUT THE EXPRESSED WRITTEN CONSENT OF SAMTEC, INC.

DO NOT SCALE DRAWING

SHEET SCALE: 1:0.333333



520 PARK EAST BLVD, NEW ALBANY, IN 47150
PHONE: 812-944-6733 FAX: 812-948-5047
e-Mail info@SAMTEC.com code 55322

DESCRIPTION:
0.8mm HIGH SPEED, DUAL EDGE MOUNT, MINI-EDGE CARD ASSEMBLY

DWG. NO.
HSEC8-1XX-XX-X-D-EMXX

BY: BRATCHER 01/27/03 SHEET 3 OF 3