



Chipsmall Limited consists of a professional team with an average of over 10 year of expertise in the distribution of electronic components. Based in Hongkong, we have already established firm and mutual-benefit business relationships with customers from,Europe,America and south Asia,supplying obsolete and hard-to-find components to meet their specific needs.

With the principle of “Quality Parts,Customers Priority,Honest Operation,and Considerate Service”,our business mainly focus on the distribution of electronic components. Line cards we deal with include Microchip,ALPS,ROHM,Xilinx,Pulse,ON,Everlight and Freescale. Main products comprise IC,Modules,Potentiometer,IC Socket,Relay,Connector.Our parts cover such applications as commercial,industrial, and automotives areas.

We are looking forward to setting up business relationship with you and hope to provide you with the best service and solution. Let us make a better world for our industry!



## Contact us

Tel: +86-755-8981 8866 Fax: +86-755-8427 6832

Email & Skype: info@chipsmall.com Web: www.chipsmall.com

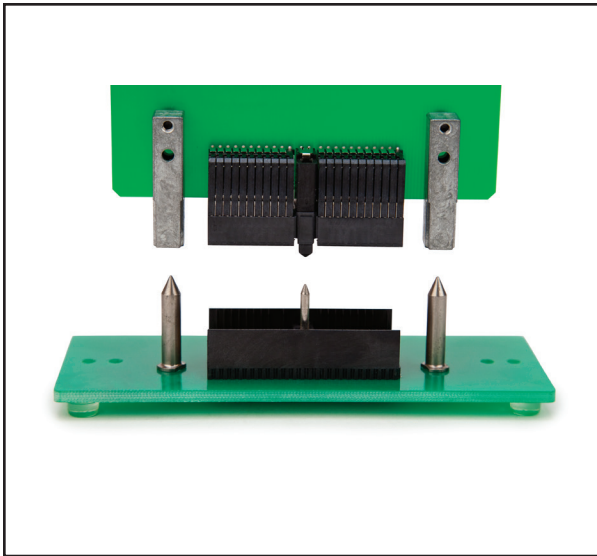
Address: A1208, Overseas Decoration Building, #122 Zhenhua RD., Futian, Shenzhen, China



# 3M™ HSHM Guide Pin and Guide Socket

Hardware

HSHM Series



- Robust metal guide pin and guide socket
- Compatible with CompactPCI®, HM, HSHM, and UHM backplane systems
- Equipped with Loctite DRI-LOC 204
- Guide pin threads equipped with Loctite DRI-LOC 204
- Lead free

Date Modified: November 4, 2013

TS-2095-C  
Sheet 1 of 4

---

## Physical

**Material:** Guide Pin - Stainless Steel  
Guide Socket- Zinc Alloy

---

## Electrical

Not Applicable

---

## Environmental

Not Applicable

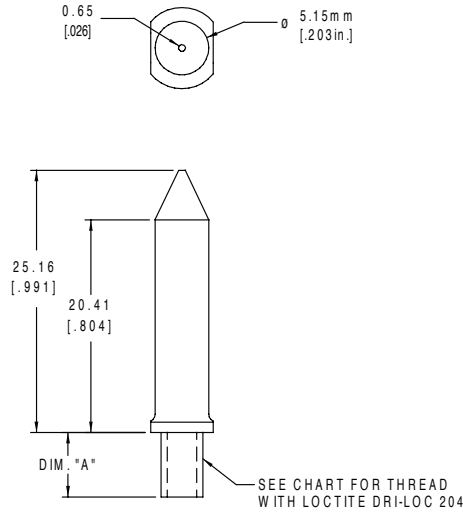
Loctite is a trademark of Henkel Corporation.  
MetPak and HSHM in design are trademarks of 3M Company.

# 3M™ HSHM Guide Pin and Guide Socket

Hardware

HSHM Series

## Guide Pin Drawing

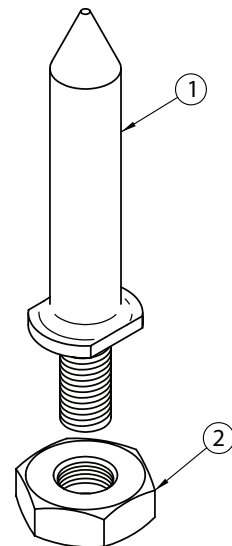


mm [Inch]	
Tolerance Unless Noted	
mm	±.05
Inch	±.002

[ ] Dimensions for Reference Only

GUIDE PIN			
DESCRIPTION/ PART NUMBER	DIMENSION "A"	THREAD	GUIDE PIN PART No.
HSHM-GUIDE-PIN-1	6.2 [.244]	M4-.7-6G	15-0303-2871-8
HSHM-GUIDE-PIN-2	7.5 [.295]	M4-.7-6G	15-0303-6801-1
HSHM-GUIDE-PIN-3	9.2 [.362]	M4-.7-6G	15-0303-6811-0
HSHM-GUIDE-PIN-4	12.7 [.500]	8-32 UNC-2A	15-0303-6821-9
HSHM-GUIDE-PIN-5	12.7 [.500]	M4-.7-6G	15-0303-6831-8
HSHM-GUIDE-PIN-6	15.0 [.591]	M4-.7-6G	15-0000-0838-1

GUIDE PIN KITS				
KIT DESCRIPTION/ PART NUMBER	KIT PART No.	ITEM #	ITEM DESCRIPTION	ITEM PART No.
HSHM-GUIDE-PIN-1-KIT	70-0100-2444-9	1	HSHM-GUIDE-PIN-1	15-0303-2871-8
		2	NUT-M4	15-0420-1590-7
HSHM-GUIDE-PIN-2-KIT	70-0100-2445-6	1	HSHM-GUIDE-PIN-2	15-0303-6801-1
		2	NUT-M4	15-0420-1590-7
HSHM-GUIDE-PIN-3-KIT	70-0100-2446-4	1	HSHM-GUIDE-PIN-3	15-0303-6811-0
		2	NUT-M4	15-0420-1590-7
HSHM-GUIDE-PIN-4-KIT	70-0100-2447-2	1	HSHM-GUIDE-PIN-4	15-0303-6821-9
		2	NUT 8-32 UNC-2B	26-1021-0167-7
HSHM-GUIDE-PIN-5-KIT	15-0209-9770-4	1	HSHM-GUIDE-PIN-5	15-0303-6831-8
		2	NUT-M4	15-0420-1590-7
HSHM-GUIDE-PIN-6-KIT	70-0100-2448-0	1	HSHM-GUIDE-PIN-6	15-0000-0838-1
		2	NUT-M4	15-0420-1590-7



TS-2095-C  
Sheet 2 of 4

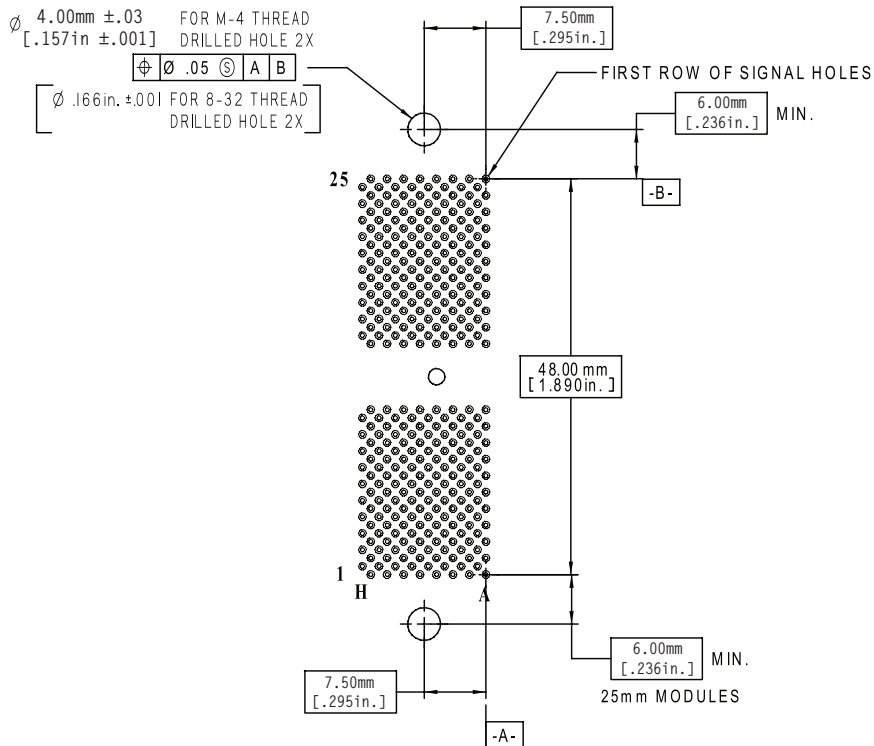


# 3M™ HSHM Guide Pin and Guide Socket

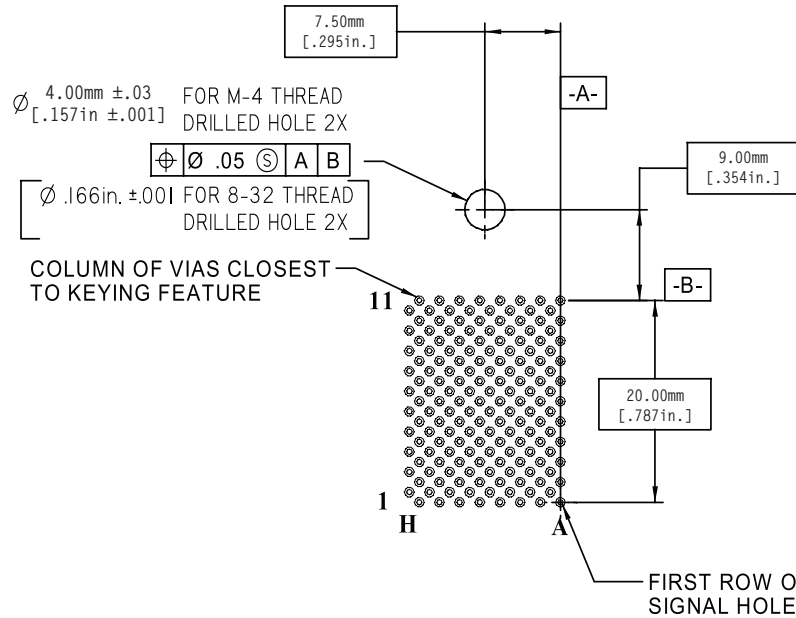
Hardware

HSHM Series

## Guide Pin PCB Hole Layout



RECOMMENDED PCB HOLE MOUNTING PATTERN  
(REFERENCED TO A 50 mm HSHM CONNECTOR FOOTPRINT)



RECOMMENDED PCB HOLE MOUNTING PATTERN  
(REFERENCED TO A 25 mm HSHM CONNECTOR FOOTPRINT)

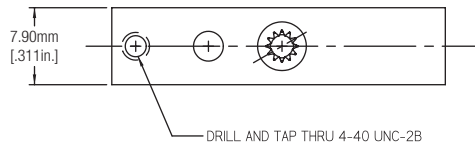
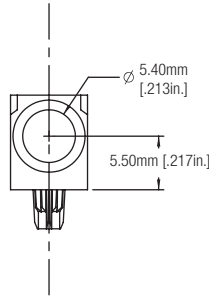
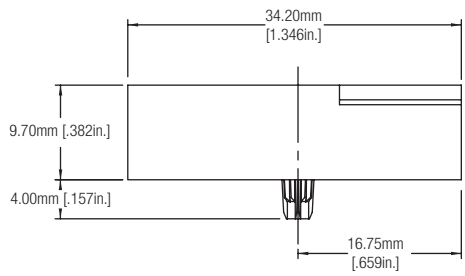
TS-2095-C  
Sheet 3 of 4

# 3M™ HSHM Guide Pin and Guide Socket

Hardware

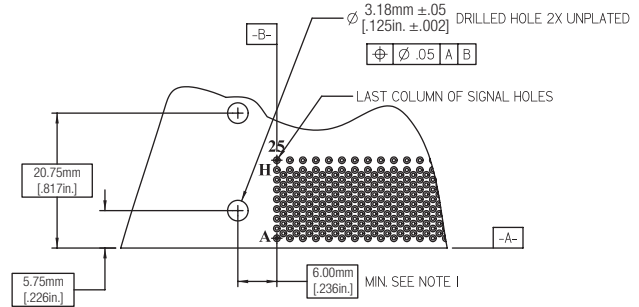
HSHM Series

## Guide Socket and PCB Hole Layout



### NOTES;

I. THIS DIMENSION IS VARIABLE FOR VALUES GREATER THAN 6mm AND MUST BE EQUAL TO THE OFFSET USED FOR THE PIN.



RECOMMENDED PCB HOLE MOUNTING PATTERN  
(REFERENCED TO A TYPICAL HSHM CONNECTOR FOOTPRINT)

### GUIDE SOCKET

DESCRIPTION/ PART NUMBER	THREAD	GUIDE SOCKET PART No.
HSHM-GUIDE-SOCKET-1	4-40 UNC-2B	15-0303-2861-9