



Chipsmall Limited consists of a professional team with an average of over 10 year of expertise in the distribution of electronic components. Based in Hongkong, we have already established firm and mutual-benefit business relationships with customers from,Europe,America and south Asia,supplying obsolete and hard-to-find components to meet their specific needs.

With the principle of "Quality Parts,Customers Priority,Honest Operation,and Considerate Service",our business mainly focus on the distribution of electronic components. Line cards we deal with include Microchip,ALPS,ROHM,Xilinx,Pulse,ON,Everlight and Freescale. Main products comprise IC,Modules,Potentiometer,IC Socket,Relay,Connector.Our parts cover such applications as commercial,industrial, and automotives areas.

We are looking forward to setting up business relationship with you and hope to provide you with the best service and solution. Let us make a better world for our industry!



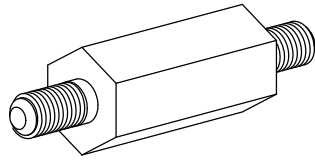
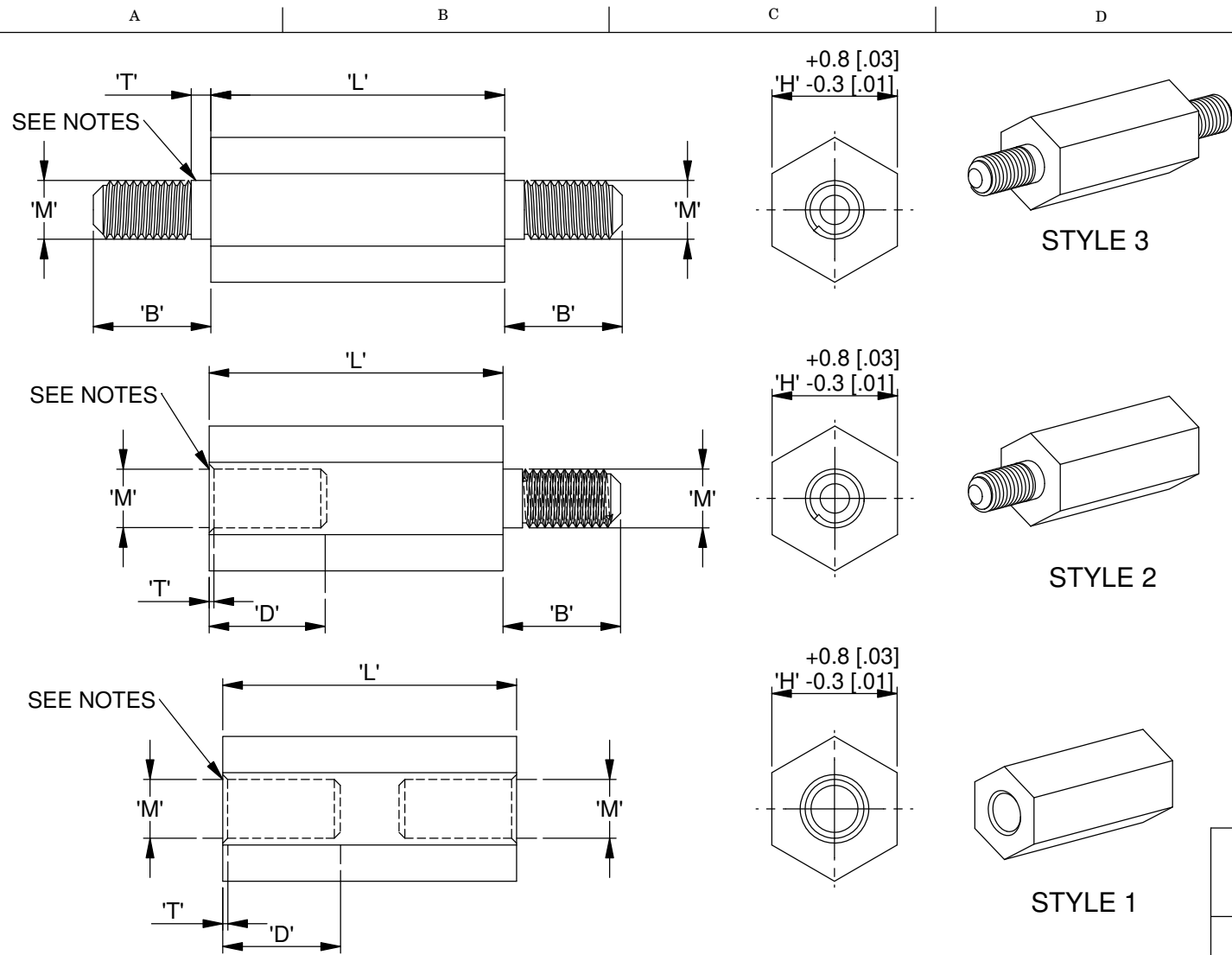
Contact us

Tel: +86-755-8981 8866 Fax: +86-755-8427 6832

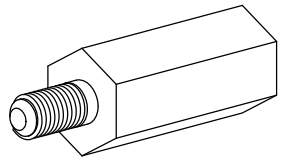
Email & Skype: info@chipsmall.com Web: www.chipsmall.com

Address: A1208, Overseas Decoration Building, #122 Zhenhua RD., Futian, Shenzhen, China

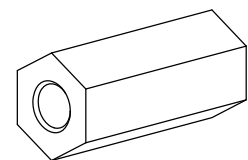




STYLE 3



STYLE 2



STYLE 1

REV.	MODIFICATION.	DATE	DRN
01	ECN07-190	09/11/07	NJB
02	CO2010396	25/09/08	SF
03	CO2010452	23/10/08	TC
04	CO2011253	12/04/12	SF

NOTE:
UNTHREADED LENGTH = 1.5 [.059] PITCH MAX.

INFORMATION CONTAINED IN THIS DOCUMENT IS CONFIDENTIAL TO RICHCO INTERNATIONAL Co., Ltd. AND MAY NOT BE DISCLOSED OR REPRODUCED IN WHOLE OR PART WITHOUT THEIR WRITTEN CONSENT.

RICHCO, INC.
WWW.RICHCO-INC.COM

METRIC PRIMARY UNITS:m m
IMPERIAL SECONDARY UNITS:[inches]
GENERAL TOLERANCES ±0.25 [0.010]
UNLESS OTHERWISE SPECIFIED
1 DECIMAL PLACE ±
2 DECIMAL PLACES ±
ANGULAR ±1°

SHEET SIZE
A4

MATERIAL: BODY: NYLON 6 (RMS-133). INSERT: BRASS (RMS-231).			COLOUR: NATURAL	
DESCRIPTION: METRIC HEX LOW VOLTAGE INSULATORS			PART No: SEE TABLE	
DRG No: 07-125		NPR No: N/A		THIRD ANGLE
DRN NJB	DATE 09/11/07	CHKD TC	DATE 23/10/08	SCALE NTS
				SHEET No. 1 OF 1

PART No.	'M'	'H'	'B'	'D'	'T'	'L'
HSM-M2-6.4-L-STYLE	M2	6.4 [.251]	6.0 [.236]	6.0 [.236]	0.6 [.023]	15.0-50.0 [.590-1.968] (1mm INCREMENTS)
HSM-M2.5-6.4-L-STYLE	M2.5	6.4 [.251]	6.0 [.236]	6.0 [.236]	0.68 [.026]	15.0-50.0 [.590-1.968] (1mm INCREMENTS)
HSM-M3-6.4-L-STYLE	M3	6.4 [.251]	6.0 [.236]	6.0 [.236]	0.75 [.029]	15.0-50.0 [.590-1.968] (1mm INCREMENTS)
HSM-M4-8-L-STYLE	M4	8.0 [.314]	6.0 [.236]	6.0 [.236]	1.05 [.041]	15.0-50.0 [.590-1.968] (1mm INCREMENTS)
HSM-M5-9.5-L-STYLE	M5	9.5 [.374]	10.0 [.393]	10.0 [.393]	1.2 [.047]	20.0-75.0 [.787-2.952] (1mm INCREMENTS)
HSM-M5-12.7-L-STYLE	M5	12.7 [.500]	12.7 [.500]	12.7 [.500]	1.5 [.059]	20.0-75.0 [.787-2.952] (1mm INCREMENTS)
HSM-M6-12.7-L-STYLE	M6	12.7 [.500]	12.7 [.500]	12.7 [.500]	1.5 [.059]	25.0-75.0 [.984-2.952] (1mm INCREMENTS)