



Chipsmall Limited consists of a professional team with an average of over 10 year of expertise in the distribution of electronic components. Based in Hongkong, we have already established firm and mutual-benefit business relationships with customers from,Europe,America and south Asia,supplying obsolete and hard-to-find components to meet their specific needs.

With the principle of "Quality Parts,Customers Priority,Honest Operation,and Considerate Service",our business mainly focus on the distribution of electronic components. Line cards we deal with include Microchip,ALPS,ROHM,Xilinx,Pulse,ON,Everlight and Freescale. Main products comprise IC,Modules,Potentiometer,IC Socket,Relay,Connector.Our parts cover such applications as commercial,industrial, and automotives areas.

We are looking forward to setting up business relationship with you and hope to provide you with the best service and solution. Let us make a better world for our industry!



Contact us

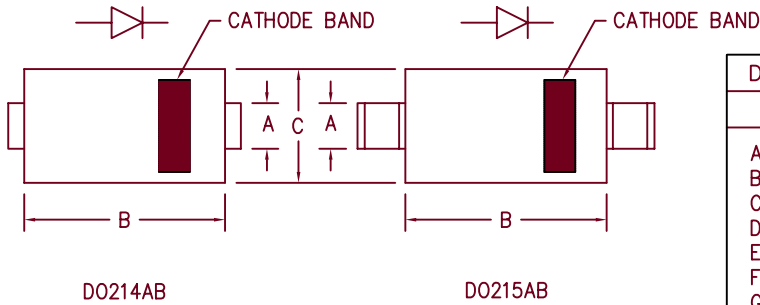
Tel: +86-755-8981 8866 Fax: +86-755-8427 6832

Email & Skype: info@chipsmall.com Web: www.chipsmall.com

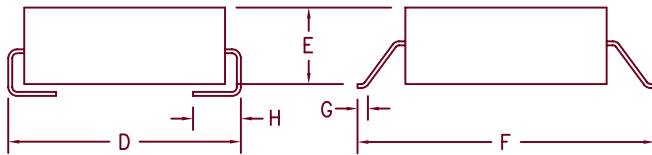
Address: A1208, Overseas Decoration Building, #122 Zhenhua RD., Futian, Shenzhen, China



5 Amp Schottky Rectifier HSM550, HSM560



Dim.	Inches		Millimeter		Notes
	Minimum	Maximum	Minimum	Maximum	
A	.117	.123	2.97	3.12	
B	.260	.280	6.60	7.11	
C	.220	.245	5.59	6.22	
D	.307	.322	7.80	8.18	
E	.075	.095	1.91	2.41	
F	.380	.400	9.65	10.16	
G	.025	.040	.640	1.02	
H	.030	.060	.760	1.52	



Microsemi
Catalog Number

HSM550*
HSM560*

Industry
Part Number

SK55L, B550C
SK56L, B560C

Working
Peak Reverse
Voltage

50V
60V

Repetitive
Peak Reverse
Voltage

50V
60V

* Add Suffix J for J Lead or G for Gull Wing Lead Configuration

- Schottky Barrier Rectifier
- Guard Ring Protection
- High Current Capability
- 175°C Junction Temperature
- Surface mount packages

Electrical Characteristics

Average forward current
Maximum surge current
Max peak forward voltage
Max peak forward voltage
Max peak reverse current
Typical junction capacitance

I_{F(AV)} 5.0 Amps
I_{FSM} 250 Amps
V_{FM} .52 Volts
V_{FM} .65 Volts
I_{RM} 250 μ A
C_J 355 pF

Square wave
8.3ms, half sine, T_J = 175°C
I_{FM} = 1.0A; T_J = 25°C*
I_{FM} = 5.0A; T_J = 25°C*
V_{RRM}, T_J = 25°C
V_R = 5.0V, T_J = 25°C

*Pulse test: Pulse width 300 μ sec, Duty cycle 2%

Thermal and Mechanical Characteristics

Storage temperature range
Operating junction temp range
Maximum thermal resistance
Weight

T_{STG}
T_J
R θ JL

-55°C to 175°C
-55°C to 175°C
22°C/W Junction to lead
.008 ounces (.22 grams) typical



8700 East Thomas Road, P.O. Box 1390
Scottsdale, AZ 85252
PH: (480) 941-6300
FAX: (480) 947-1503
www.microsemi.com

05-15-07 Rev. 3

HSM550, HSM560

Figure 1
Typical Forward Characteristics

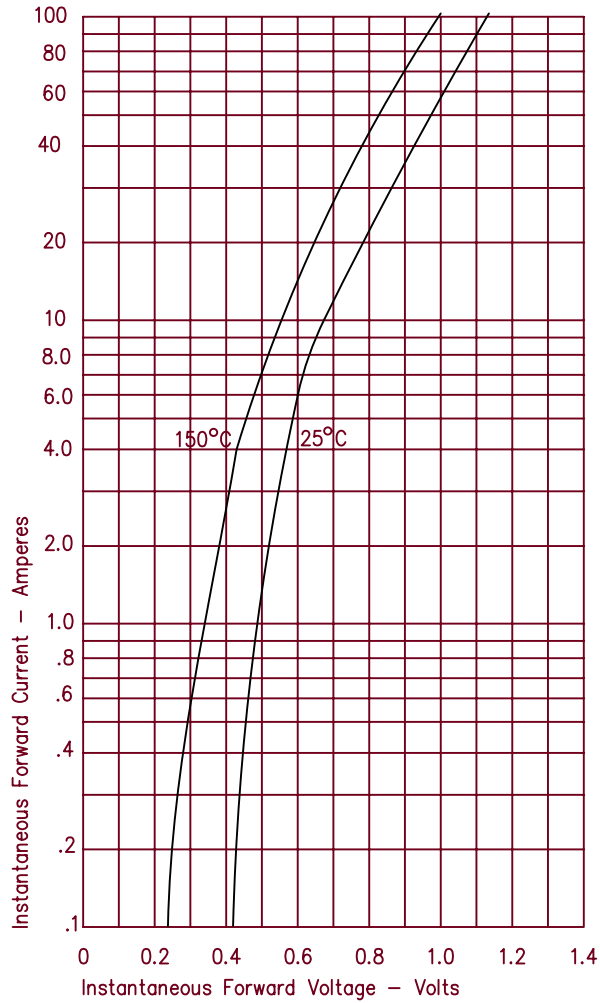


Figure 3
Typical Junction Capacitance

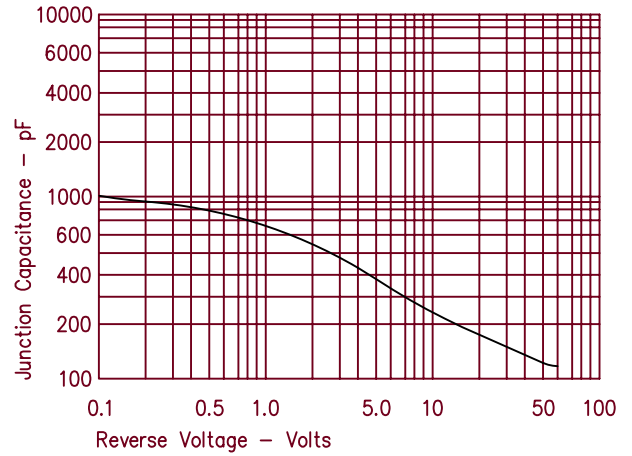


Figure 2
Typical Reverse Characteristics

