



Chipsmall Limited consists of a professional team with an average of over 10 year of expertise in the distribution of electronic components. Based in Hongkong, we have already established firm and mutual-benefit business relationships with customers from,Europe,America and south Asia,supplying obsolete and hard-to-find components to meet their specific needs.

With the principle of “Quality Parts,Customers Priority,Honest Operation,and Considerate Service”,our business mainly focus on the distribution of electronic components. Line cards we deal with include Microchip,ALPS,ROHM,Xilinx,Pulse,ON,Everlight and Freescale. Main products comprise IC,Modules,Potentiometer,IC Socket,Relay,Connector.Our parts cover such applications as commercial,industrial, and automotives areas.

We are looking forward to setting up business relationship with you and hope to provide you with the best service and solution. Let us make a better world for our industry!



## Contact us

Tel: +86-755-8981 8866 Fax: +86-755-8427 6832

Email & Skype: info@chipsmall.com Web: www.chipsmall.com

Address: A1208, Overseas Decoration Building, #122 Zhenhua RD., Futian, Shenzhen, China



---

# Surface Mount RF PIN Switch Diode

## Technical Data

---

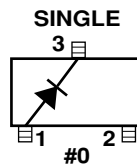
### HSMP-3880

---

#### Features

- **Diodes Optimized for:  
Ultra-Low Distortion  
Switching**
- **Surface Mount SOT-23  
Package  
Tape and Reel Options  
Available**
- **Low Failure in Time (FIT)  
Rate<sup>(1)</sup>**
- **Lead-free Option Available**

#### Package Lead Code Identification (Top View)



#### Description/Applications

The HSMP-3880 switching diode is an ultra low distortion device optimized for higher power applications to 1.5 GHz.

A SPICE model is not available for PIN diodes as SPICE does not provide for a key PIN diode characteristic, carrier lifetime.

#### Note:

1. For more information see the Surface Mount PIN Reliability Data Sheet.
-

### Absolute Maximum Ratings<sup>[1]</sup> $T_C = 25^\circ\text{C}$

Symbol	Parameter	Units	Absolute Maximum
$I_F$	Forward Current (1 ms Pulse)	Amp	1
$P_t$	Total Device Dissipation	mW <sup>[2]</sup>	250
$P_{iv}$	Peak Inverse Voltage	—	Same as $V_{BR}$
$T_j$	Junction Temperature	$^\circ\text{C}$	150
$T_{STG}$	Storage Temperature	$^\circ\text{C}$	-65 to 150

**Notes:**

1. Operation in excess of any one of these conditions may result in permanent damage to this device.
2. CW Power Dissipation at  $T_{LEAD} = 25^\circ\text{C}$ . Derate to zero at maximum rated temperature.

### Typical Parameters at $T_C = 25^\circ\text{C}$

Part Number HSMP-	Series Resistance $R_S$ ( $\Omega$ )	Carrier Lifetime $\tau$ (ns)	Reverse Recovery Time $T_{rr}$ (ns)	Total Capacitance $C_T$ (pF)
3880	3.8	2500	550	0.30 @ 50 V
Test Conditions	$I_F = 1$ mA $f = 100$ MHz	$I_F = 50$ mA $I_R = 250$ mA	$V_R = 10$ V $I_F = 20$ mA 90% Recovery	

### Electrical Specifications $T_C = 25^\circ\text{C}$

Part Number HSMP-	Package Marking Code <sup>[1]</sup>	Lead Code	Configuration	Minimum Breakdown Voltage $V_{BR}$ (V)	Maximum Series Resistance $R_S$ ( $\Omega$ )	Maximum Total Capacitance $C_T$ (pF)	Maximum Shunt Mode Harmonic Distortion Hmd (dBc)
3880	S0	0	Single	100	6.5	0.40	-55
Test Conditions				$V_R = V_{BR}$ Measure $I_R \leq 10$ $\mu\text{A}$	$I_F = 5$ mA $f = 100$ MHz	$V_R = 50$ V $f = 1$ MHz	$2f_o, Z_o = 50$ W $f_o = 400$ MHz $P_{in} = +30$ dBm 0 V bias

**Note:**

1. Package marking code is white.

**Typical Parameters at  $T_C = 25^\circ\text{C}$  (unless otherwise noted), Single Diode**

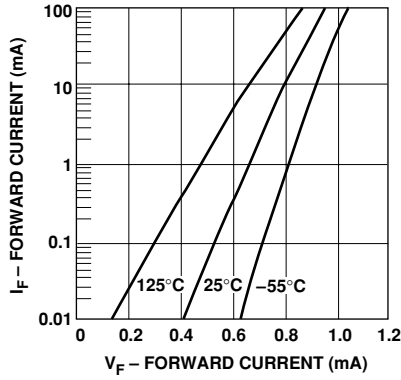


Figure 1. Forward Current vs. Forward Voltage.

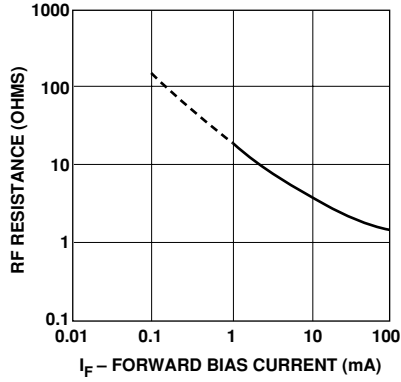


Figure 2. RF Resistance at  $25^\circ\text{C}$  vs. Forward Bias Current.

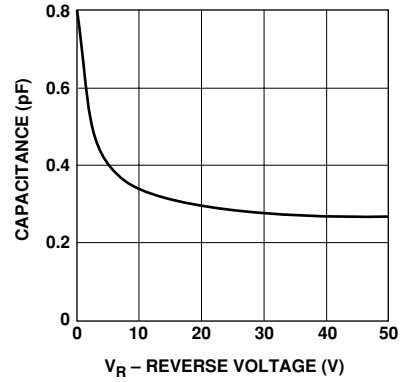


Figure 3. Capacitance vs. Reverse Voltage.

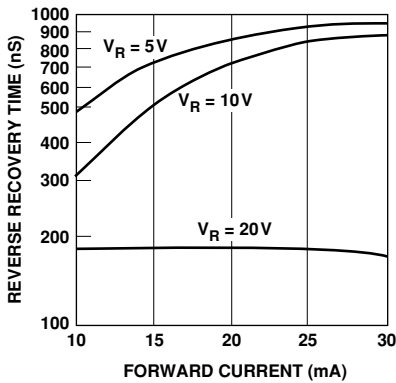


Figure 4. Typical Reverse Recovery Time vs. Reverse Voltage.

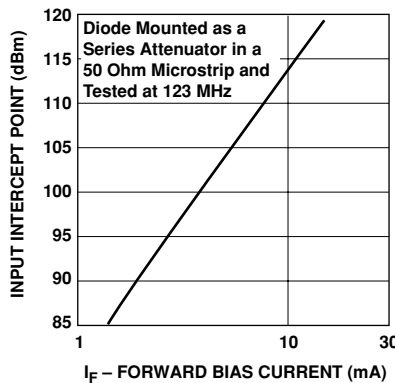
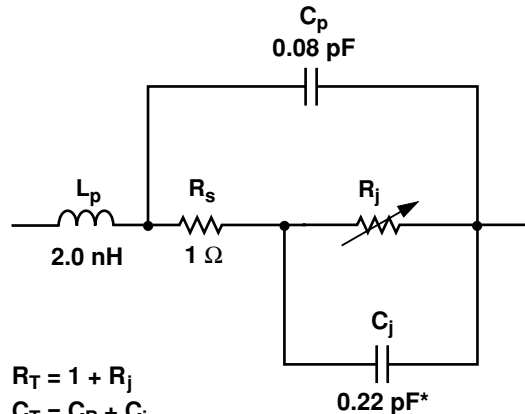


Figure 5. 2nd Harmonic Input Intercept Point vs. Forward Bias Current.

**Equivalent Circuit Model  
HSMP-3880**



$$R_T = 1 + R_j$$

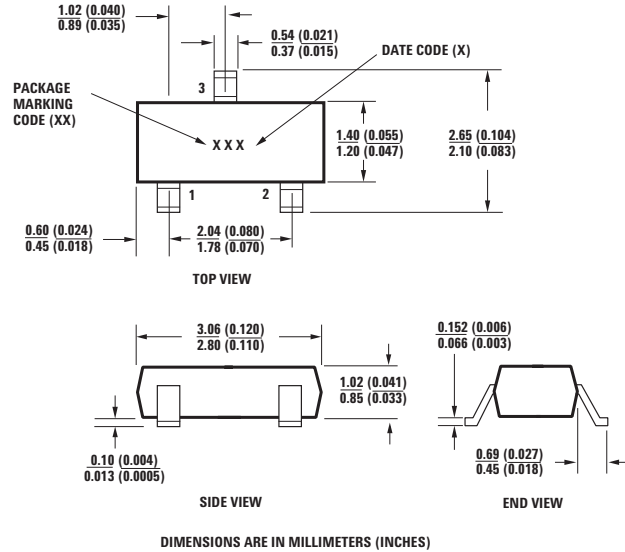
$$C_T = C_p + C_j$$

$$R_j = \frac{49}{I^{0.9}} \Omega$$

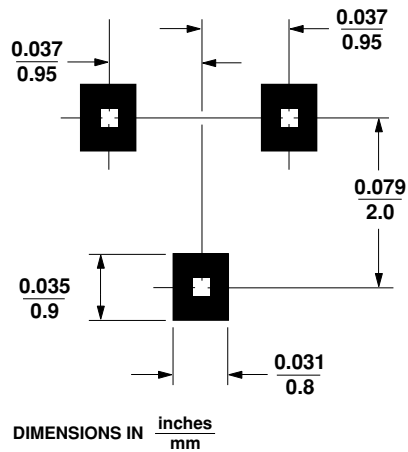
\* Measured at -50 V

I = Forward Bias Current in mA

## Package Dimensions Outline 23 (SOT-23)



## PC Board Footprints SOT-23



## Package Characteristics

Lead Material .....	Alloy 42
Lead Finish .....	Tin-Lead 85-15%
Maximum Soldering Temperature .....	260°C for 5 seconds
Minimum Lead Strength .....	2 pounds pull
Typical Package Inductance .....	2 nH
Typical Package Capacitance .....	0.08 pF (opposite leads)



## Profile Option Descriptions

-BLK = Bulk

-TR1 = 3K pc. Tape and Reel, Device Orientation; See Figure 6

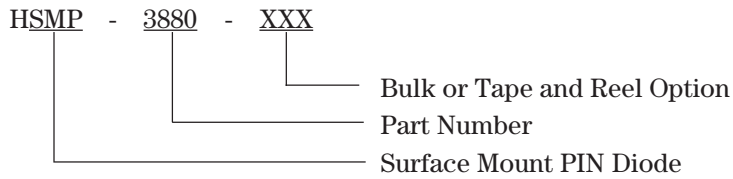
-TR2 = 10K pc. Tape and Reel, Device Orientation; See Figure 6

Tape and Reeling conforms to Electronic Industries RS-481, "Taping of Surface Mounted Components for Automated Placement."

For lead-free option, the part number will have the character "G" at the end, e.g., TR2G for a 10K pc lead-free reel.

## Ordering Information

Specify part number followed by option under. For example:



## Device Orientation For Outline SOT-23

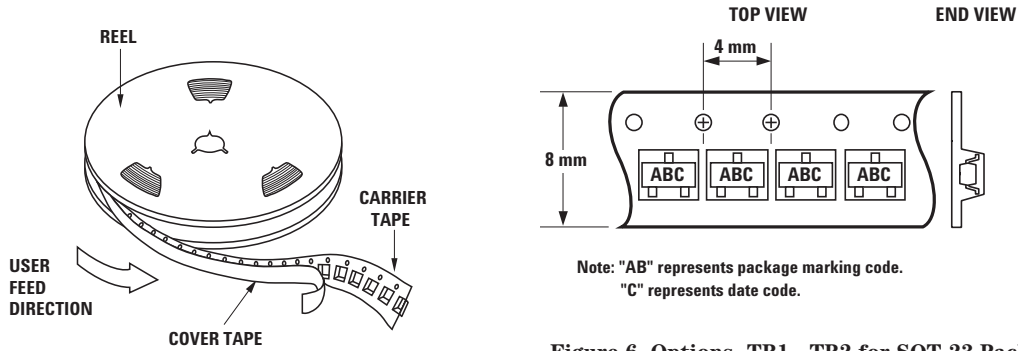
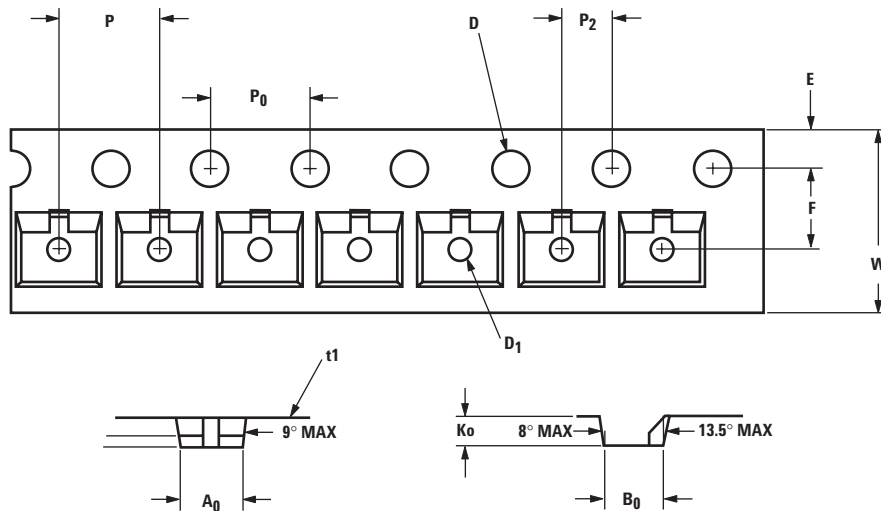


Figure 6. Options -TR1, -TR2 for SOT-23 Package.

## Tape Dimensions and Product Orientation For Outline SOT-23



DESCRIPTION		SYMBOL	SIZE (mm)	SIZE (INCHES)
CAVITY	LENGTH	A <sub>0</sub>	3.15 ± 0.10	0.124 ± 0.004
	WIDTH	B <sub>0</sub>	2.77 ± 0.10	0.109 ± 0.004
	DEPTH	K <sub>0</sub>	1.22 ± 0.10	0.048 ± 0.004
	PITCH	P	4.00 ± 0.10	0.157 ± 0.004
	BOTTOM HOLE DIAMETER	D <sub>1</sub>	1.00 + 0.05	0.039 ± 0.002
PERFORATION	DIAMETER	D	1.50 + 0.10	0.059 + 0.004
	PITCH	P <sub>0</sub>	4.00 ± 0.10	0.157 ± 0.004
	POSITION	E	1.75 ± 0.10	0.069 ± 0.004
CARRIER TAPE	WIDTH	W	8.00 + 0.30 - 0.10	0.315 + 0.012 - 0.004
	THICKNESS	t <sub>1</sub>	0.229 ± 0.013	0.009 ± 0.0005
DISTANCE BETWEEN CENTERLINE	CAVITY TO PERFORATION (WIDTH DIRECTION)	F	3.50 ± 0.05	0.138 ± 0.002
	CAVITY TO PERFORATION (LENGTH DIRECTION)	P <sub>2</sub>	2.00 ± 0.05	0.079 ± 0.002

### [www.agilent.com/semiconductors](http://www.agilent.com/semiconductors)

For product information and a complete list of distributors, please go to our web site.

For technical assistance call:

Americas/Canada: +1 (800) 235-0312 or (916) 788-6763

Europe: +49 (0) 6441 92460

China: 10800 650 0017

Hong Kong: (65) 6756 2394

India, Australia, New Zealand: (65) 6755 1939

Japan: (+81 3) 3335-8152(Domestic/International), or 0120-61-1280(Domestic Only)

Korea: (65) 6755 1989

Singapore, Malaysia, Vietnam, Thailand, Philippines, Indonesia: (65) 6755 2044

Taiwan: (65) 6755 1843

Data subject to change.

Copyright © 2004 Agilent Technologies, Inc.

Obsoletes 5968-7702E

March 24, 2004

5988-9924EN