



Chipsmall Limited consists of a professional team with an average of over 10 year of expertise in the distribution of electronic components. Based in Hongkong, we have already established firm and mutual-benefit business relationships with customers from,Europe,America and south Asia,supplying obsolete and hard-to-find components to meet their specific needs.

With the principle of "Quality Parts,Customers Priority,Honest Operation,and Considerate Service",our business mainly focus on the distribution of electronic components. Line cards we deal with include Microchip,ALPS,ROHM,Xilinx,Pulse,ON,Everlight and Freescale. Main products comprise IC,Modules,Potentiometer,IC Socket,Relay,Connector.Our parts cover such applications as commercial,industrial, and automotives areas.

We are looking forward to setting up business relationship with you and hope to provide you with the best service and solution. Let us make a better world for our industry!



Contact us

Tel: +86-755-8981 8866 Fax: +86-755-8427 6832

Email & Skype: info@chipsmall.com Web: www.chipsmall.com

Address: A1208, Overseas Decoration Building, #122 Zhenhua RD., Futian, Shenzhen, China



HSMP-389Z

RF Switching PIN Diodes In Surface Mount SOD-323 Package



Data Sheet

Description/Applications

Avago Technologies's HSMP-389Z is optimized for switching applications where low resistance at low current and low capacitance are required. It is housed in a low cost, industrial standard surface mount package - SOD-323. This package offers customers who already use them in SOT-23 and SOT-323 packages, a logical transition to a smaller package outline to accommodate end product design with limited board space.

A SPICE model is not available for PIN diodes as SPICE does not provide for a key PIN diode characteristic -- carrier lifetime.

Features

- 2 Leads Surface Mount Package
- Switching
 - Low Capacitance
 - Low Resistance at Low Current
- Tape and Reel Options Available
- Low Failure in Time (FIT) Rate
- MSL 1 & Lead Free

Package Marking and Pin Connections



Note:

Package marking provides orientation and identification

"E" = Device Code

"?" = Month code indicates the month of manufacture

Table 1. Absolute Maximum Ratings [1] at Tc = +25°C

Symbol	Parameter	Unit	Max Rating
I_f	Forward Current (1 μ s Pulse)	Amp	1
P_{IV}	Peak Inverse Voltage	V	100
T_j	Junction Temperature	°C	150
T_{stg}	Storage Temperature	°C	-60 to 150
θ_{jb}	Thermal Resistance ^[2]	°C/W	135

Notes:

1. Operation in excess of any one of these conditions may result in permanent damage to the device.
2. Thermal Resistance is measured from junction to board using IR method.

Table 2. Electrical Specifications at Tc = +25°C

	Minimum Breakdown Voltage V_{BR} (V)	Maximum Total Resistance R_S (Ohm)	Maximum Total Capacitance C_T (pF)
	100	2.5	0.30
Test Conditions	$V_R = V_{BR}$ Measure $I_R \leq 10\mu A$	$I_F = 5mA$ $f = 100$ MHz	$V_R = 5V$ $f = 1MHz$

Note : Rs parameter is tested under AQL 1.0

Table 3. Typical Parameters at Tc = +25°C

	Series Resistance R_S (Ohm)	Carrier Lifetime τ (ns)	Total Capacitance C_T (pF)
	3.8	200	0.20
Test Conditions	$I_F = 1$ mA $f = 100$ MHz	$I_F = 10mA$ $I_R = 6mA$	$V_R = 5V$ $f = 1MHz$

Typical Performance Curves at Tc = +25°C

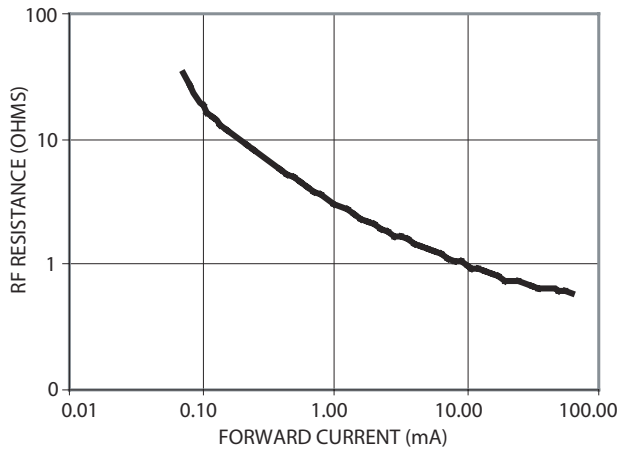


Figure 1. RF Resistance vs. Forward Bias Current

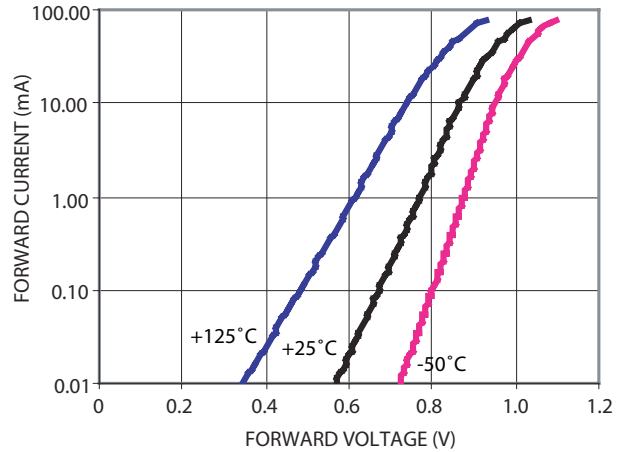


Figure 2. Forward Current vs. Forward Voltage

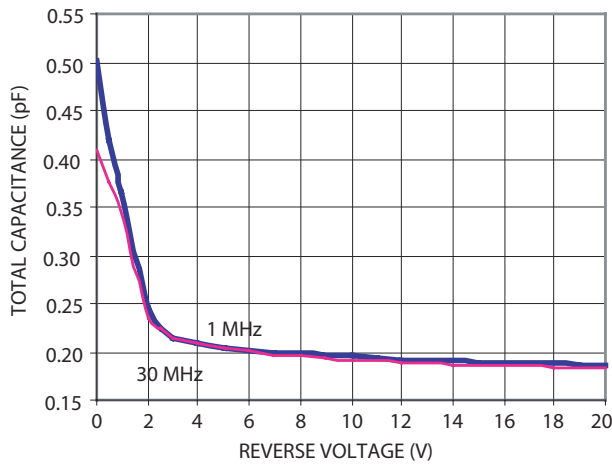


Figure 3. RF Capacitance vs. Reverse Bias

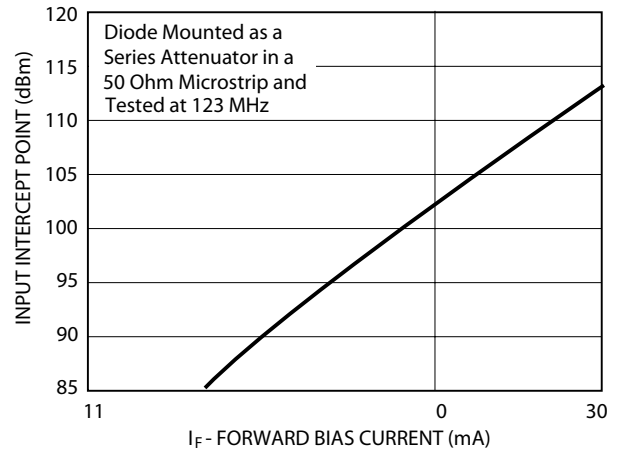


Figure 4. 2nd Harmonic Input Intercept Point vs. Diode RF Resistance

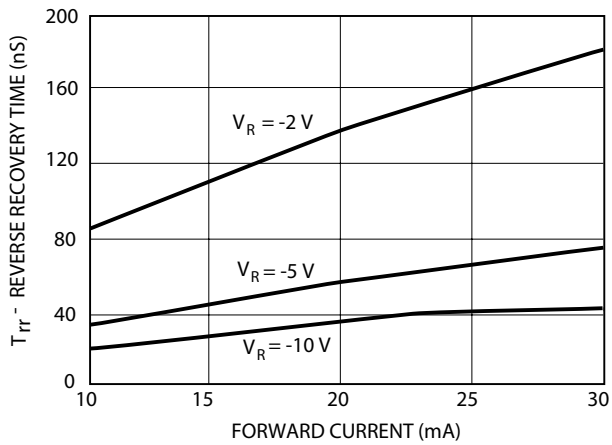
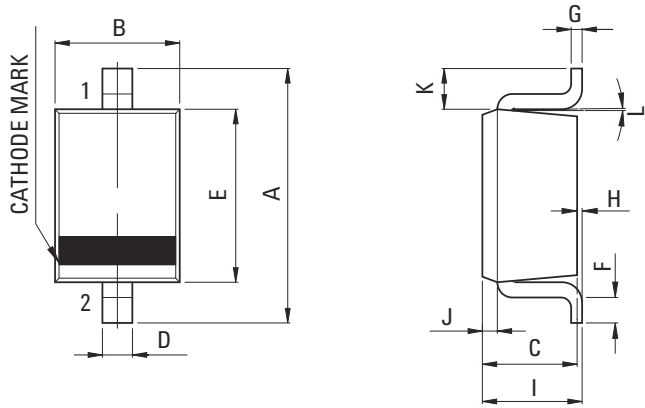
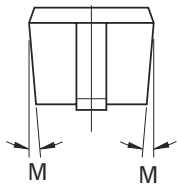
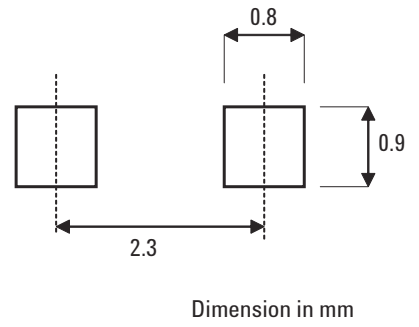


Figure 5. Typical Reverse Recovery Time vs. Reverse Voltage

Package Outline and Dimension

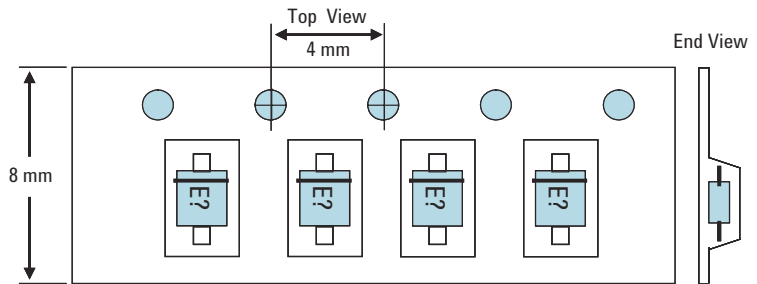
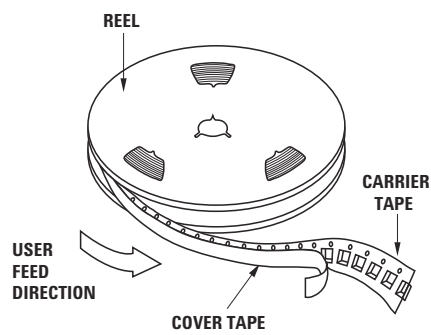


PCB Footprint



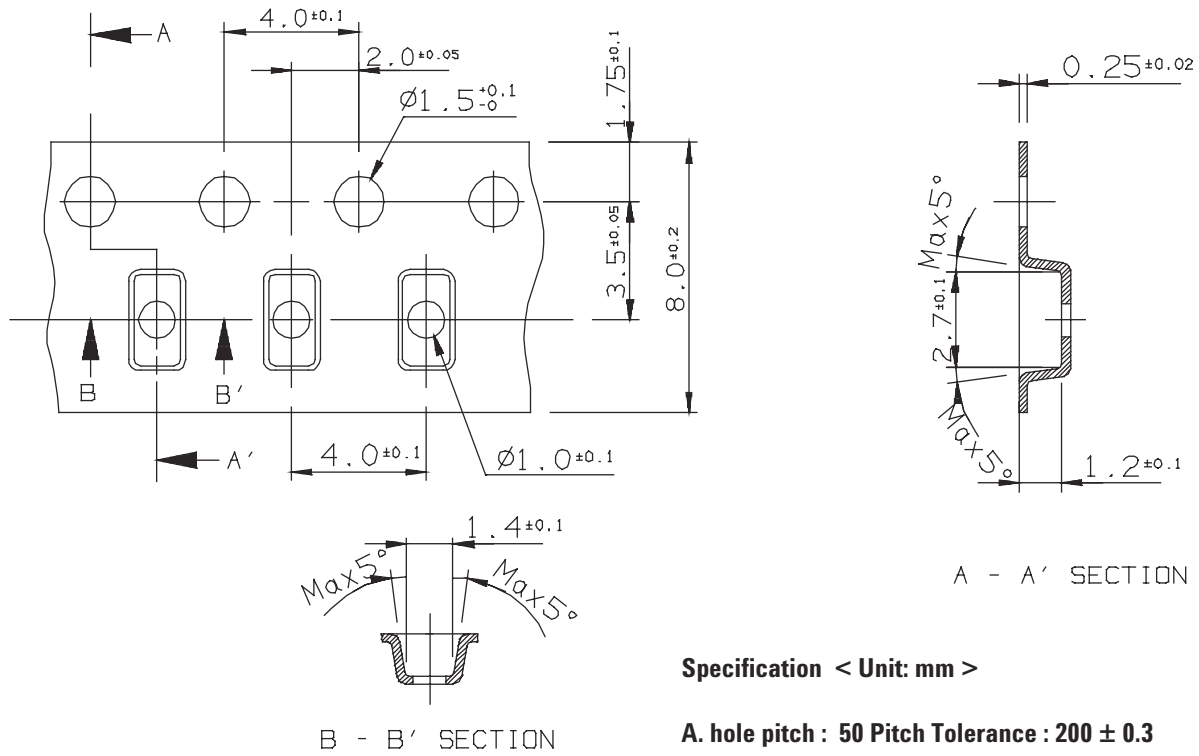
DIM	MILLIMETERS
A	2.50 ±0.2
B	1.25 ±0.05
C	0.90 ±0.05
D	0.30+0.06/-0.04
E	1.70 ±0.05
F	MIN 0.17
G	0.126 ±0.03
H	0~0.1
I	1.0 MAX
J	0.15 ±0.05
K	0.4
L	2°+4/-2
M4	~6°

Device Orientation



Note: "E" represents package marking code
 "?" represents date code

Tape Dimensions



Part Number Ordering Information

Part number	No. of Units	Container
HSMP-389Z-BLKG	100	Anti-static bag
HSMP-389Z-TR1G	3000	7" reel

For product information and a complete list of distributors, please go to our web site: www.avagotech.com

Avago, Avago Technologies, and the A logo are trademarks of Avago Technologies, Pte. in the United States and other countries. Data subject to change. Copyright © 2006 Avago Technologies Pte. All rights reserved. Obsoletes AV01-0124EN AV01-0183EN - May 18, 2006

AVAGO
TECHNOLOGIES