



Chipsmall Limited consists of a professional team with an average of over 10 year of expertise in the distribution of electronic components. Based in Hongkong, we have already established firm and mutual-benefit business relationships with customers from,Europe,America and south Asia,supplying obsolete and hard-to-find components to meet their specific needs.

With the principle of “Quality Parts,Customers Priority,Honest Operation,and Considerate Service”,our business mainly focus on the distribution of electronic components. Line cards we deal with include Microchip,ALPS,ROHM,Xilinx,Pulse,ON,Everlight and Freescale. Main products comprise IC,Modules,Potentiometer,IC Socket,Relay,Connector.Our parts cover such applications as commercial,industrial, and automotives areas.

We are looking forward to setting up business relationship with you and hope to provide you with the best service and solution. Let us make a better world for our industry!



Contact us

Tel: +86-755-8981 8866 Fax: +86-755-8427 6832

Email & Skype: info@chipsmall.com Web: www.chipsmall.com

Address: A1208, Overseas Decoration Building, #122 Zhenhua RD., Futian, Shenzhen, China



L2X-800 SERIES

MAGNASPHERE®  HSS®



Magnasphere has created
L2X-800 'High Security
Sensor' -The Next Generation
Sensors That Meet UL634 Level 2
High Security Standards for SCIFs,
Safes, Vaults and Hazardous
Environment Applications



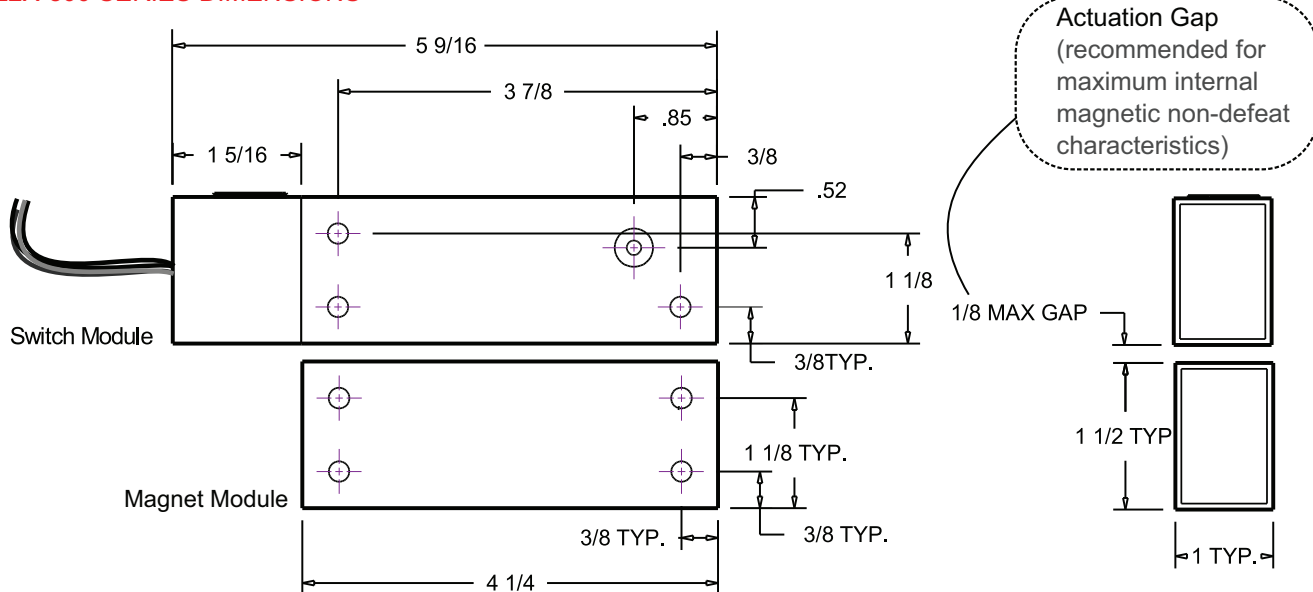
Magnasphere L2X-800 Technology

- INTRINSICALLY SAFE, Simple Apparatus (see page 3)
- Resistant to External and INTERNAL magnetic defeat
- Dual 1/2" NPT conduit ports provide top or side connection options
- Replacement for existing BMS devices
- No adjustment required for installation
- Industry's most secure removal tamper sensor / circuit
- MAGNASPHERE switch technology resists permanent contact welding (lightning, power surges, stun guns)
- Single (L2S) and dual (L2D) alarm contacts available
- American made using award-winning MAGNASPHERE switch technology
- Compatible with control panel models that accept contact inputs
- Built-in EOL resistors available
- Competitively priced

L2X-800 SERIES

MAGNASPHERE®  HSS®

L2X-800 SERIES DIMENSIONS



CONSTRUCTION AND TECHNICAL SPECIFICATIONS

Aluminum Case: Silver-Gray Anodized

Wire Lead Type: Solid Color-Coded Lead Wires, 22AWG

Hermetically Sealed Switch Contacts

Fully Epoxy Potted Assembly

Single Alarm Contact Version (L2S): Closed or Open Loop

Dual Alarm Contact Version (L2D): Closed Loop

Removal Tamper Circuit: Closed Loop

Max Current : 0.25 amps Resistive

Max Voltage: 30 VDC

Max Power: 0.250 W

Operating Temperature: -40° C to $+80^{\circ}$ C

Suitable for Indoor and Outdoor Use

Intended for connection to UL Listed Compatible Control Panels

PATENTED DESIGN

#5332992 #5530428

#5673021 #5880659

#5977873 #6087936

#6506987 #6603378

#6803845 #7023308

#7291794 #RE39731

#7944334 #8228191

& Other Patents Pending

MAGNASPHERE® Corp. provides superior performing magnetic contact sensor technology for the residential, commercial, and federal government security markets. The HSS's leading-edge technology aims to set new industry standards for high security sensors while providing an affordable and more effective alternative to reed-based security contacts.

To learn more about the MAGNASPHERE® L2 HSS High Security Sensor visit www.MAGNASPHERE.com or call 262-347-0711.

L2X-800 SERIES

MAGNASPHERE®  HSS®

The MAGNASPHERE HSS High Security Sensor conforms to the requirements of

UL Standard 913

Standard for Intrinsically Safe Apparatus and Associated Apparatus for Use in Class I, II, III, Division 1, Hazardous (Classified) Locations

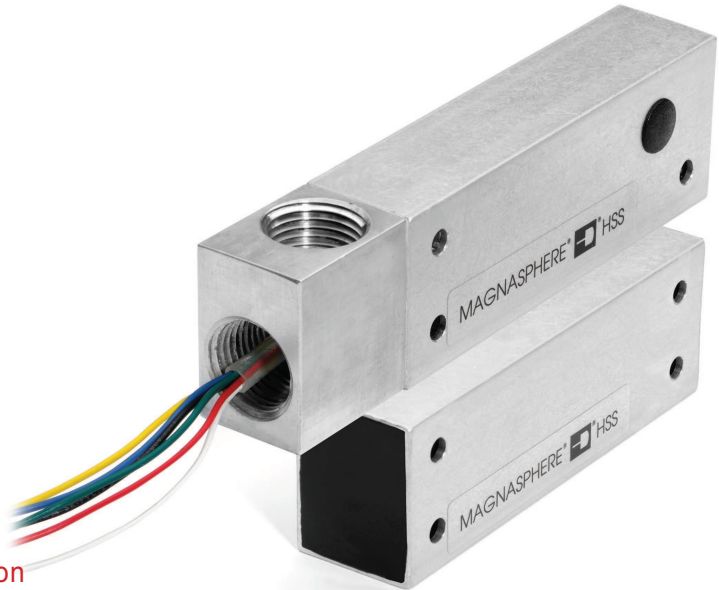
for use in Hazardous locations as an **INTRINSICALLY SAFE SIMPLE APPARATUS***.

INTRINSICALLY SAFE

The Construction of the HSS devices incorporates robust, hermetically sealed MAGNASPHERE switch technology, complete epoxy encapsulation of all electrical, components and magnetic actuation.

The MAGNASPHERE HSS models L2S and L2D used as intrinsically safe simple apparatus in hazardous locations **MUST** be used in conjunction with a Div. 1 Class 1 Group B Intrinsically Safe Barrier listed by a Nationally Recognized Testing Laboratory (NRTL). †

The appropriate use of the apparatus in the hazardous locations is addressed in the instructions for the barrier (or device) providing power to this apparatus and to the hazardous location.



* Reference UL Standard 913 (includes UL 60079-11, the US adoption of the IEC 60079-11 standard for intrinsic safety, taking a national deviation [identified in the standards DV or DR] to correspond to the definition in the national electrical code). Sections: 3.1.1, 5.4 and associated DV and DR deviations.

† - or suitably - rated and listed to the according hazardous location.

L2X-800 SERIES

MAGNASPHERE®  HSS®

How the HSS Magnet / Removal Tamper Circuit Works

The MAGNASPHERE HSS Incorporates the Most Secure Anti-Tamper Features of Any Device Available.

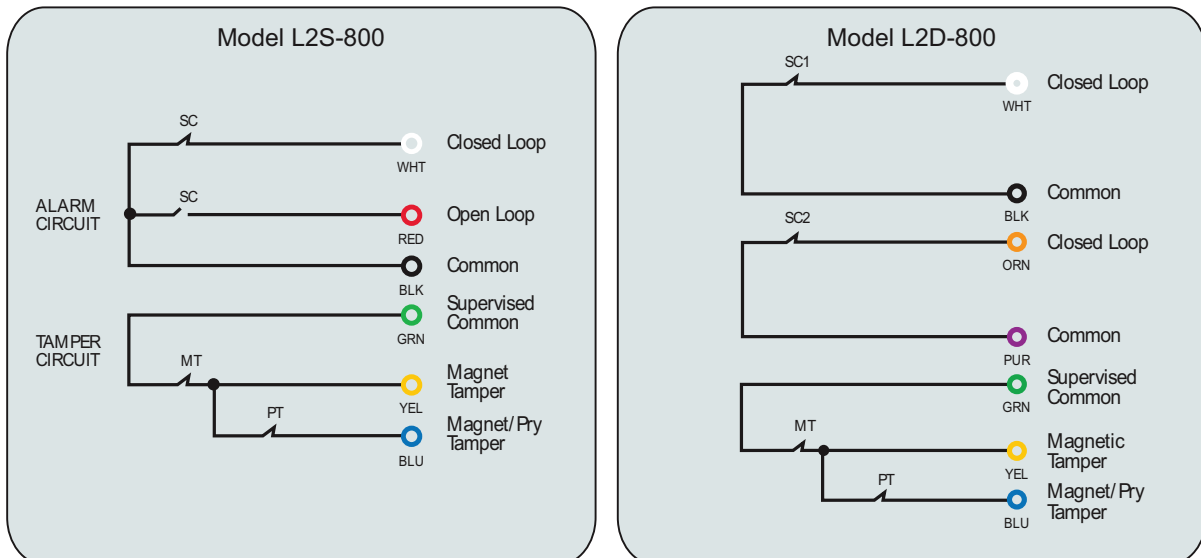
In addition to the sensors inside that will detect the presence of a stronger defeat magnet placed on any surface of the HSS, the removal tamper circuit will alarm BEFORE the HSS can be removed.

You will notice that the mounting hole on the upper right face of the HSS sensor is larger than the other mounting holes and slightly off set towards the center of the sensor. A tamper proof MAGNASPHERE switch is positioned inside the unit facing the bore of this mounting hole.

Once the unit has been mounted, the removal tamper magnet (included) is inserted into this mounting hole. It will be attracted to the mounting screw and will activate the removal tamper switch. The mounting hole cover cap (included) is then inserted and locked into position.

In order to access that mounting screw to remove the sensor, the locking cap must be pried out, and a steel rod or magnet inserted into the hole to extract the tamper magnet. Removal of the tamper magnet will cause the removal tamper switch to alarm.

Typical Part Numbers / Wiring Schematics



All Circuits Shown with Magnet Actuator in Secure Position. For Built-in EOL Resistor Configurations and Values (not shown), Visit WWW.MAGNASPHERE.COM.