



Chipsmall Limited consists of a professional team with an average of over 10 year of expertise in the distribution of electronic components. Based in Hongkong, we have already established firm and mutual-benefit business relationships with customers from,Europe,America and south Asia,supplying obsolete and hard-to-find components to meet their specific needs.

With the principle of “Quality Parts,Customers Priority,Honest Operation,and Considerate Service”,our business mainly focus on the distribution of electronic components. Line cards we deal with include Microchip,ALPS,ROHM,Xilinx,Pulse,ON,Everlight and Freescale. Main products comprise IC,Modules,Potentiometer,IC Socket,Relay,Connector.Our parts cover such applications as commercial,industrial, and automotives areas.

We are looking forward to setting up business relationship with you and hope to provide you with the best service and solution. Let us make a better world for our industry!



## Contact us

Tel: +86-755-8981 8866 Fax: +86-755-8427 6832

Email & Skype: info@chipsmall.com Web: www.chipsmall.com

Address: A1208, Overseas Decoration Building, #122 Zhenhua RD., Futian, Shenzhen, China



# Downlight Cooler 48W LED Heat Sink

**This LED Heatsink is part of the Aavid scalable LED portfolio.**

**Future proof** – Designed with the rapidly evolving light engine industry in mind, thermal performance can be easily increased or decreased without a luminaire redesign by adding or removing a SynJet Cooler

**Flexibility** – Configure to order luminaire production process, use heatsinks for low lumen applications and the SynJet Cooler with heatsink for higher lumen versions

**Freedom** – Compatible with most major light engines so thermal solutions and mechanical interfaces do not have to be redesigned when changing light engines

**Fast** – In stock and ready for overnight delivery, worldwide



## Specifications

### Thermal<sup>1</sup>

| Thermal Wattage | Heatsink $\Theta_{s-a}$ <sup>2</sup> | Heat Sink $T_{\text{Rise Above Ambient}}$ |
|-----------------|--------------------------------------|---|
| 22 W            | 1.2 (°C/W)                           | 26 (°C)                                   |
| 32 W            | 1.2 (°C/W)                           | 37 (°C)                                   |
| 42 W            | 1.2 (°C/W)                           | 48 (°C)                                   |

### Mechanical

|                   |               |
|-------------------|---------------|
| <b>Material</b>   | ADC12 Al Cast |
| <b>Finish</b>     | Black Ecoat   |
| <b>Weight</b>     | 462g          |
| <b>Regulatory</b> | RoHS          |

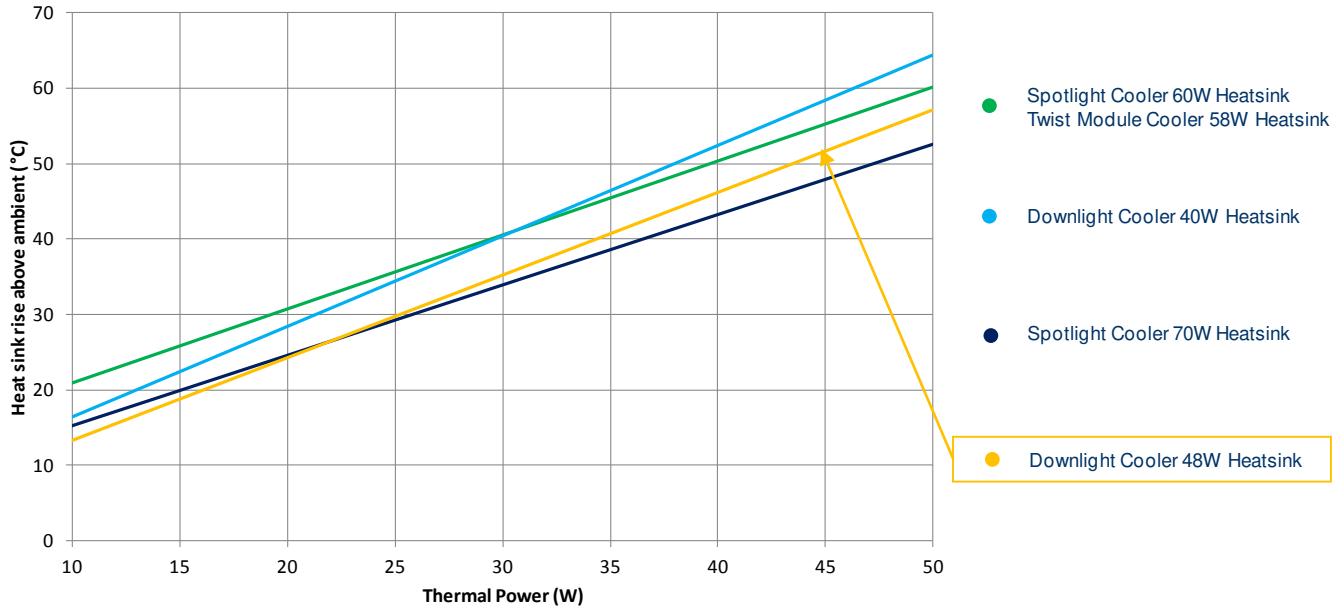
| Size             |
|------------------|
| Diameter: 138 mm |
| Height: 42 mm    |

**The chart below summarizes the thermal performance of all round LED heatsink solutions with diameters from 118 to 138 mm.**

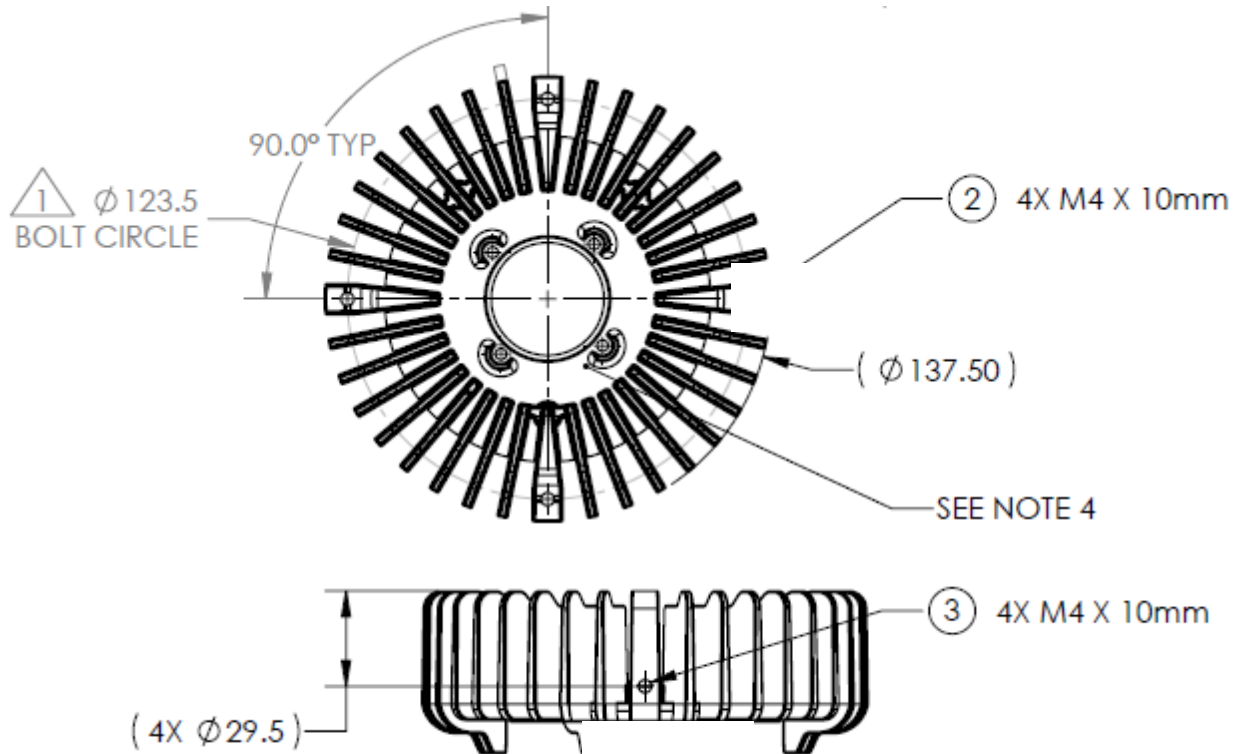
<sup>1</sup> All values are typical at 25°C unless otherwise stated.

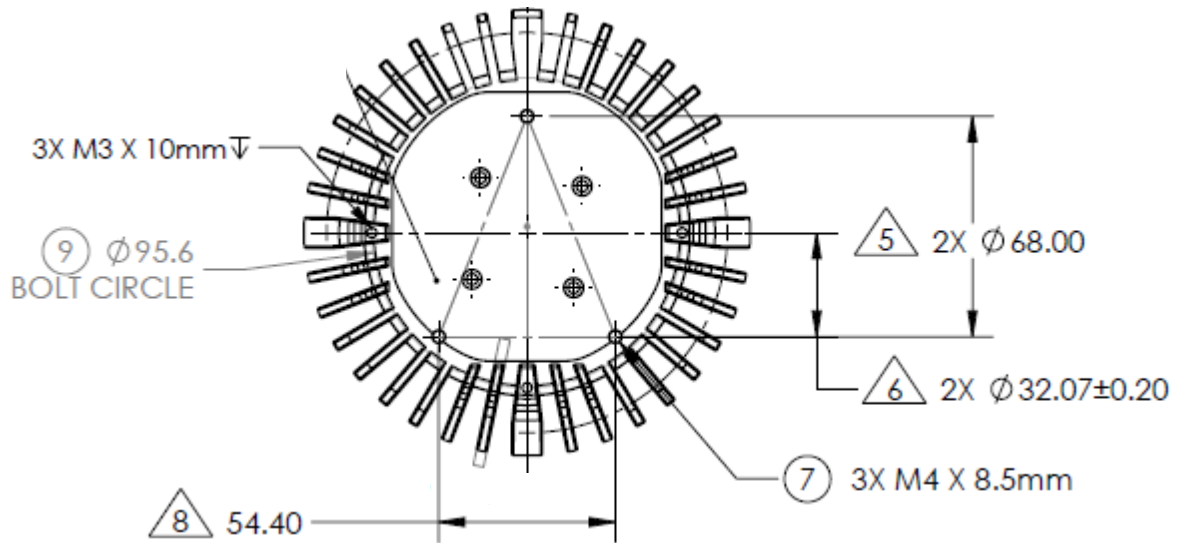
<sup>2</sup> Thermal resistance values are given as reference only and are measured in free air without airflow obstructions. Thermal resistance is measured from the bottom middle of the heat sink to ambient air with a heat source of 19 cm<sup>2</sup>. Actual thermal performance may vary by application and final product design should be tested to assure proper thermal performance.

**Heatsink Rise Above Ambient vs. Thermal Power  
Round Heatsinks Diameter 118 to 138 mm**



**Mechanical – LED Heatsink shown with Configurable heat sink**





All dimensions are nominal and in mm unless otherwise stated. See product drawings for more detail.

## Part Numbers

| Part Number     | Description  | Notes                                    |
|-----------------|--|--|
| HSSLS-CALBL-003 | LED Heatsink, 48W, Downlight Cooler 140, Philips Fortimo and Lexel, Tridonic Stark DLE, Black        | Contact sales for other heatsink options |
| HSSLS-CALCL-008 | LED Heatsink, 48W, Philips Fortimo and Lexel, Tridonic Stark DLE, Silver                             | Contact sales for other heatsink options |
| HSSLS-CALCL-012 | LED Heatsink, 48W, Philips DLM, Philips Fortimo Twistable, Tridonic Stark DLE, Zhaga Book 2 – Silver | Contact sales for other heatsink options |
| HSSLS-CALBL-013 | LED Heatsink, 48W, Osram PrevaLED - Black  | Contact sales for other heatsink options |
| HSSLS-CALBL-016 | LED Heatsink, 48W, Philips Fortimo Twistable - Black   | Contact sales for other heatsink options |
| HSSLS-CALCL-019 | LED Heatsink, 48W, Bridgelux 13/18 - Silver  | Contact sales for other heatsink options |
| HSSLS-CALCL-020 | LED Heatsink, 48W, Bridgelux RS, Vero 29- Silver   | Contact sales for other heatsink options |
| HSSLS-CALCL-021 | LED Heatsink, 48W, CREE LMH2, Philips Fortimo/Lixel Stark DLE – Silver                               | Contact sales for other heatsink options |

Aavid reserves the right to make changes to the products or information contained herein without notice. No liability is assumed as a result of their use or applications. For additional information, please contact Aavid directly.