



Chipsmall Limited consists of a professional team with an average of over 10 year of expertise in the distribution of electronic components. Based in Hongkong, we have already established firm and mutual-benefit business relationships with customers from,Europe,America and south Asia,supplying obsolete and hard-to-find components to meet their specific needs.

With the principle of “Quality Parts,Customers Priority,Honest Operation,and Considerate Service”,our business mainly focus on the distribution of electronic components. Line cards we deal with include Microchip,ALPS,ROHM,Xilinx,Pulse,ON,Everlight and Freescale. Main products comprise IC,Modules,Potentiometer,IC Socket,Relay,Connector.Our parts cover such applications as commercial,industrial, and automotives areas.

We are looking forward to setting up business relationship with you and hope to provide you with the best service and solution. Let us make a better world for our industry!



Contact us

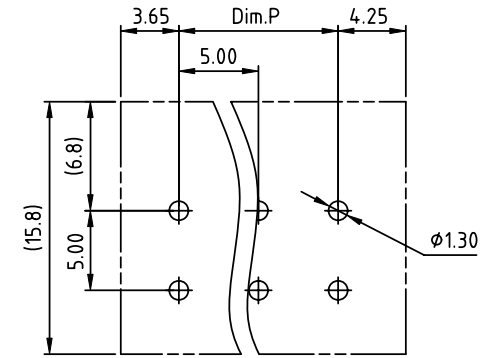
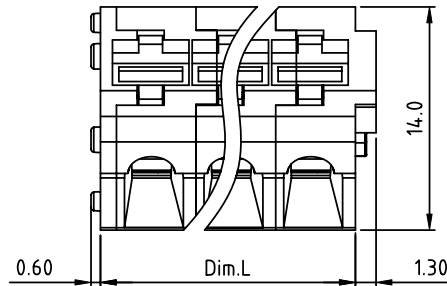
Tel: +86-755-8981 8866 Fax: +86-755-8427 6832

Email & Skype: info@chipsmall.com Web: www.chipsmall.com

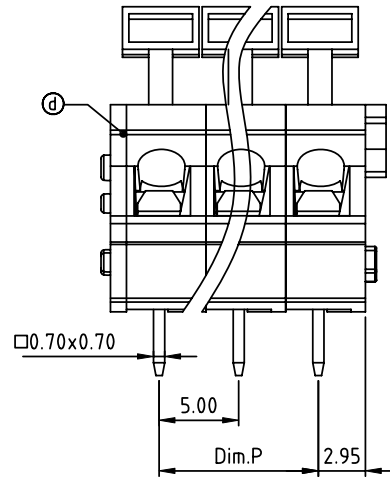
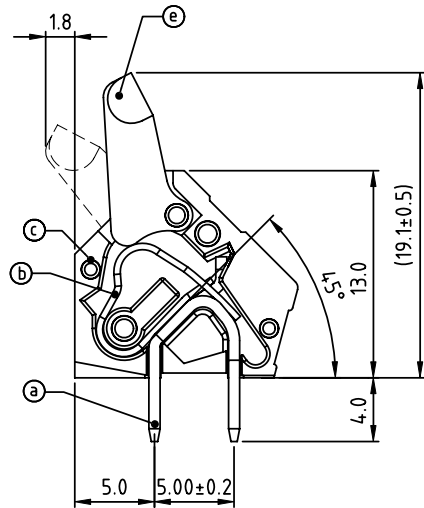
Address: A1208, Overseas Decoration Building, #122 Zhenhua RD., Futian, Shenzhen, China



PRODUCT NUMBER	PITCH
HTxx00x000JOG	5.00mm



RECOMMENDED P.C.B LAYOUT
TOP VIEW



Material:

- Item (a) Solder pin: Brass, Tin plated
- Item (d) Spring clamp: Stainless steel
- Item (c) Terminal housing: Thermoplastic (UL94V-0)
- Item (e) Terminal cover: Thermoplastic (UL94V-0)
- Item (a) Terminal lever: Thermoplastic (UL94V-HB)

Electrical

- Voltage rating: 300V
- Current rating: 15A
- Wire range:
- Solid wire (AWG): 12-28
- Stranded wire (AWG): 12-28
- Wire strip length: 6-7mm
- Withstanding Voltage: 1.6KV
- Operating temperature: -40°C to +115°C
- Soldering temperature: 260°C ± 5°C / 5 Sec
- Safety Approval: cULus

Dimension

$Dim.P = (N-1) \times 5.0$

$Dim.L = N \times 5.0 + 1.0$

N = Number of poles

POLES	Dim.L	Dim.P
1p	±0.10	
2p-6p	±0.20	±0.15
7p-12p	±0.25	±0.20
12p-18p	±0.30	±0.25
19p-24p	±0.40	±0.35

PART NO.: HT xx 00 x 000JOG

No. of poles	Body Color	RoHS compliant
0	Black (RAL9005)	(lead < 4%)
End Stackable	2 Red (RAL3001/D)	In copper Alloy
01	1 poles 3 Orange (RAL2011/P)	
02	2 poles 4 Yellow (RAL1018/A)	
...
5	Green (RAL6018/T)	
24	24 poles 6 Blue (RAL5015/A)	
	8 Grey (RAL7004/P)	
	9 White (RAL1102)	
	C Multiple colors	

mat'l. code		surface ASME Y14.5	tolerance ASME Y14.5	projection	product family TERMINAL BLOCK
ltr	ecn no	dr	date	 MM	title TERMINAL BLOCK SPRING CLAMP, 4SD WIRE INLET
tolerances unless otherwise specified					
angles		X.±0.5			dwg no HTxx00x000JOG sheet 1 of 1 size A4
X*±1°		X.XX±0.3			
dr		EVIN ZHONG 052814			
enr		EVIN ZHONG 052814			
chr		HANKE FENG 052814		type CUSTOMER Drawing	
appd		SHI JUN 052814			
sheet index	revision sheet	A 1			