



Chipsmall Limited consists of a professional team with an average of over 10 year of expertise in the distribution of electronic components. Based in Hongkong, we have already established firm and mutual-benefit business relationships with customers from,Europe,America and south Asia,supplying obsolete and hard-to-find components to meet their specific needs.

With the principle of “Quality Parts,Customers Priority,Honest Operation,and Considerate Service”,our business mainly focus on the distribution of electronic components. Line cards we deal with include Microchip,ALPS,ROHM,Xilinx,Pulse,ON,Everlight and Freescale. Main products comprise IC,Modules,Potentiometer,IC Socket,Relay,Connector.Our parts cover such applications as commercial,industrial, and automotives areas.

We are looking forward to setting up business relationship with you and hope to provide you with the best service and solution. Let us make a better world for our industry!



## Contact us

Tel: +86-755-8981 8866 Fax: +86-755-8427 6832

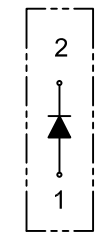
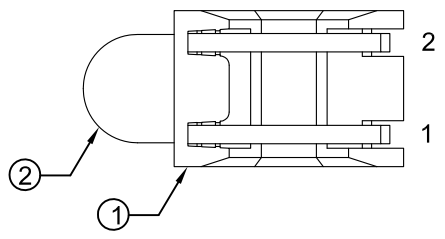
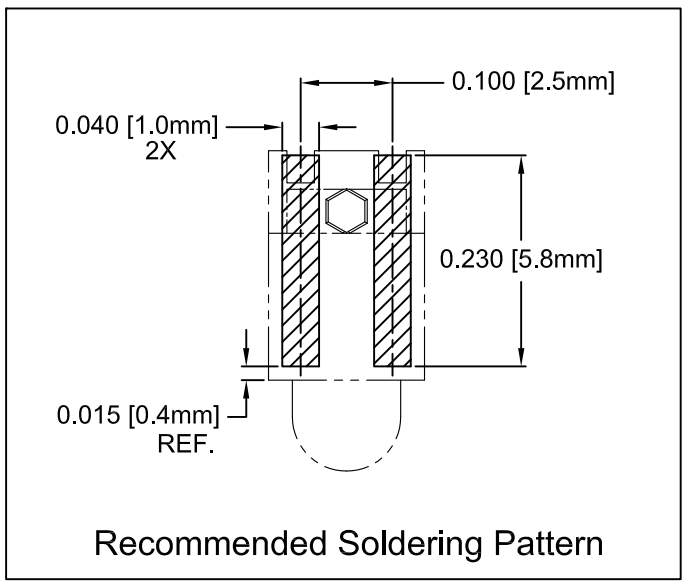
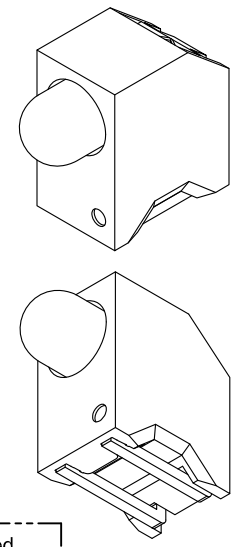
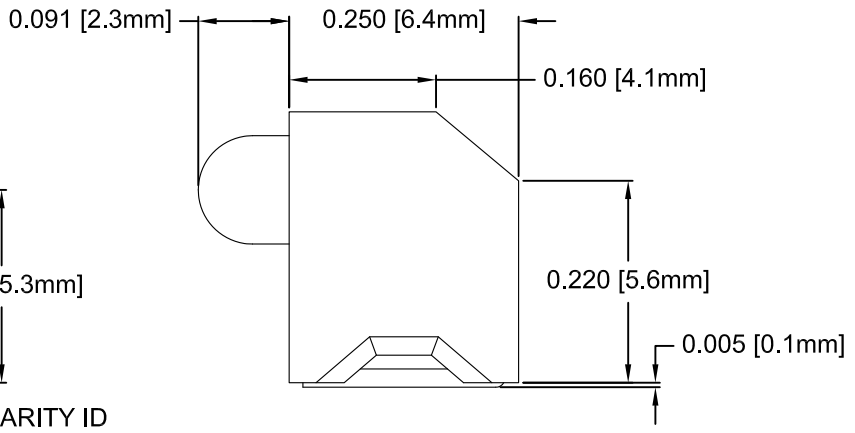
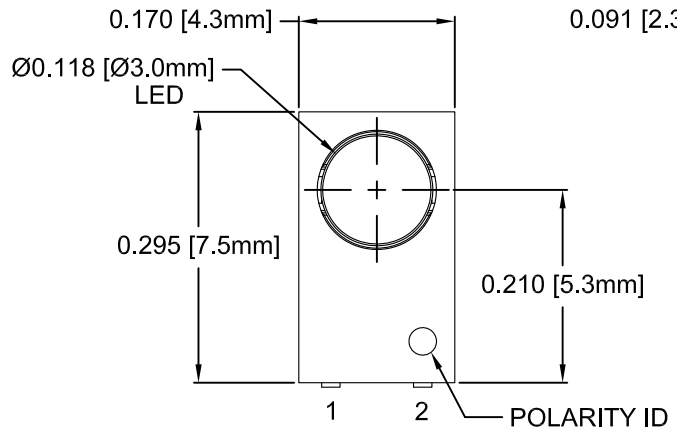
Email & Skype: info@chipsmall.com Web: www.chipsmall.com

Address: A1208, Overseas Decoration Building, #122 Zhenhua RD., Futian, Shenzhen, China

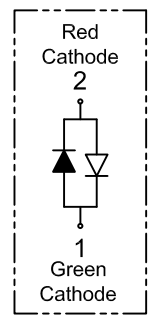


| ITEM | Q'TY | PART NUMBER | PART DESCRIPTION   |
|------|------|-------------|--|
| 1    | 1    | HT3         | T1 (3mm) High Temperature Single Level Holder, 90° Mount |
| 2    | 1    | BDL-XXXX    | T1 (3mm) N-Flange LED, See Page 2                        |

| REV. | DESCRIPTION         | DATE     | APPROVED |
|------|---------------------|----------|----------|
| B    | Engineering Release | 04/19/11 | T. Y.    |
|      |                     |          |          |
|      |                     |          |          |



Single Color



HT3-BC

## ABSOLUTE MAXIMUM RATINGS (Ta=25° C)

|  |                      |
|--|----------------------|
| REVERSE VOLTAGE _____                              | 5V                   |
| REVERSE CURRENT _____                              | 100uA                |
| OPERATING TEMPERATURE RANGE _____                  | -25° C - 85° C       |
| STORAGE TEMPERATURE _____                          | -30° C - 100° C      |
| LEAD SOLDERING TEMPERATURE (1/16" FROM BODY) _____ | 260° C FOR 5 SECONDS |

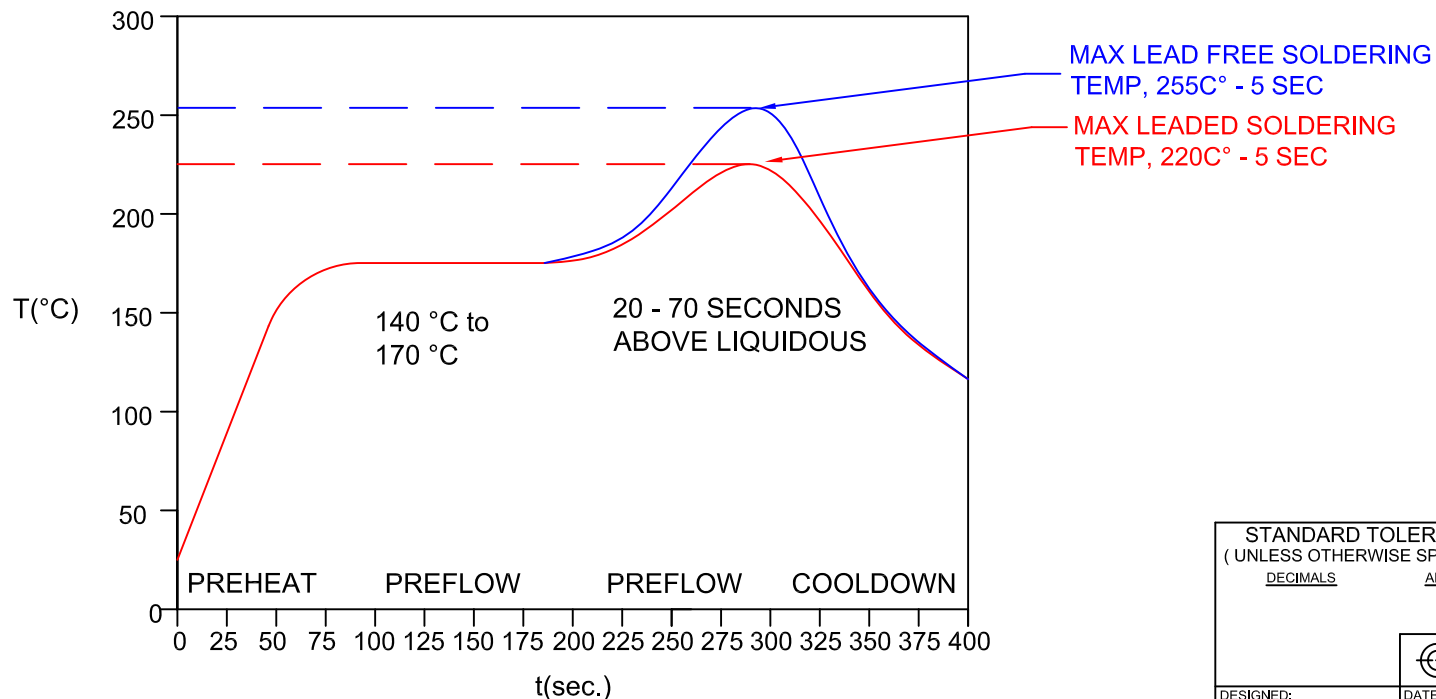
|  |                          |  |
|--|--------------------------|--|
| STANDARD TOLERANCE<br>(UNLESS OTHERWISE SPECIFIED) |                          | <b>BIVAR</b> <sup>®</sup><br>4 THOMAS, IRVINE, CA. 92618<br>TEL: (949) 951-8808 FAX: (949) 951-3974                |
| DECIMALS   | ANGULAR                  |  |
| .X ± .1  | X° ± 1°                  |  |
| .XX ± .02  |                          | <b>TITLE:</b> T1 (3mm) SMT<br>90° SURFACE MOUNT LED<br><b>PART NO:</b> HT3-XXX<br><b>REVISION:</b> B               |
| .XXX ± .010  |                          |  |
| DESIGNED:<br><b>Raffy Paje</b>                     | DATE:<br><b>03/09/10</b> | <b>CAGE CODE:</b> 32559<br><b>SHEET #</b> 1 OF 2<br><small>CAD GENERATED DOCUMENT, DO NOT MEASURE DRAWING.</small> |
| CHECKED:<br><b>T. Yin</b>                          | DATE:<br><b>03/09/10</b> |  |

| REV. | DESCRIPTION  | DATE | APPROVED |
|------|--------------|------|----------|
|      | SEE SHEET #1 |      |          |
|      |              |      |          |
|      |              |      |          |
|      |              |      |          |

### AVAILABLE CONFIGURATIONS

| Assy P/N   | Emitted Color | Peak Wave Length<br>$\lambda_p$ (nm) | Lens Appearance   | Absolute Max. Ratings |         |              | Vf (V) |     | Iv (mcd) | Viewing Angle<br>2 $\theta_{1/2}$<br>(Deg) | LED P/N  |
|--|---------------|--------------------------------------|-------------------|-----------------------|---------|--------------|--------|-----|----------|--|----------|
|  |               |                                      |                   | Pd (mW)               | If (mA) | Peak If (mA) | TYP    | MAX | TYP      |  |          |
|  |               |                                      |                   |                       |         |              |        |     |          |  |          |
| <b>STANDARD SINGLE COLOR LED ASSEMBLIES (20mA)</b> |               |                                      |                   |                       |         |              |        |     |          |  |          |
| HT3-BLU  | BLUE          | 430                                  | DIFFUSED          | 150                   | 25      | 70           | 4.0    | 4.5 | 10       | 40   | BDL-1358 |
| HT3-GRN  | GREEN         | 568                                  |                   | 80                    | 30      | 150          | 2.1    | 2.8 | 25       | 40   | BDL-1355 |
| HT3-RED  | HE RED        | 625                                  |                   | 80                    | 30      | 150          | 2.0    | 2.8 | 30       | 40   | BDL-1356 |
| HT3-YEL  | YELLOW        | 590                                  |                   | 85                    | 30      | 150          | 2.0    | 2.8 | 20       | 40   | BDL-1357 |
| <b>STANDARD BI-COLOR LED ASSEMBLIES (20mA)</b>     |               |                                      |                   |                       |         |              |        |     |          |  |          |
| HT3-BC   | RED           | 625                                  | WHITE<br>DIFFUSED | 80                    | 30      | 150          | 2.0    | 2.8 | 6        | 45   | BDL-1351 |
|  | GREEN         | 568                                  |                   | 80                    | 30      | 150          | 2.1    | 2.8 | 6        |  |          |

### CONVECTIVE REFLOW SOLDERING PROFILE



NOTES:  
1. ADDITIONAL LED OPTICAL / ELECTRICAL DATA AVAILABLE @ WWW.BIVAR.COM.

|   |                          |  |                       |
|---|--------------------------|--|-----------------------|
| STANDARD TOLERANCE<br>( UNLESS OTHERWISE SPECIFIED )<br>DECIMALS      ANGULAR |                          | <b>BIVAR</b> <sup>®</sup><br>4 THOMAS, IRVINE, CA. 92618<br>TEL: (949) 951-8808    FAX: (949) 951-3974 |                       |
|   |                          | TITLE: T1 (3mm) SMT<br>90° SURFACE MOUNT LED   |                       |
| DESIGNED:<br><b>Raffy Paje</b>  | DATE:<br><b>03/09/10</b> | PART NO:<br><b>HT3-XXX</b>   | REVISION:<br><b>B</b> |
| CHECKED:<br><b>T. Yin</b>   | DATE:<br><b>03/09/10</b> | CAGE CODE : <b>32559</b>   | SHEET # <b>2 OF 2</b> |
| CAD GENERATED DOCUMENT, DO NOT MEASURE DRAWING.                               |                          |  |                       |