



Chipsmall Limited consists of a professional team with an average of over 10 year of expertise in the distribution of electronic components. Based in Hongkong, we have already established firm and mutual-benefit business relationships with customers from,Europe,America and south Asia,supplying obsolete and hard-to-find components to meet their specific needs.

With the principle of “Quality Parts,Customers Priority,Honest Operation,and Considerate Service”,our business mainly focus on the distribution of electronic components. Line cards we deal with include Microchip,ALPS,ROHM,Xilinx,Pulse,ON,Everlight and Freescale. Main products comprise IC,Modules,Potentiometer,IC Socket,Relay,Connector.Our parts cover such applications as commercial,industrial, and automotives areas.

We are looking forward to setting up business relationship with you and hope to provide you with the best service and solution. Let us make a better world for our industry!



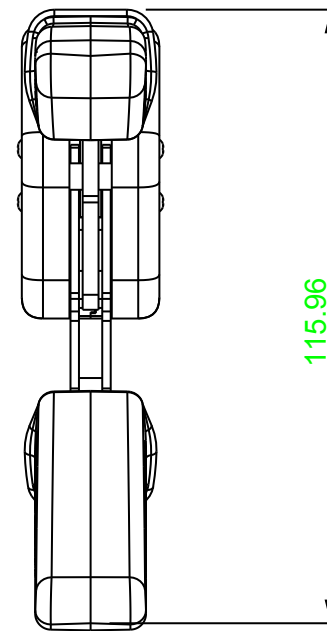
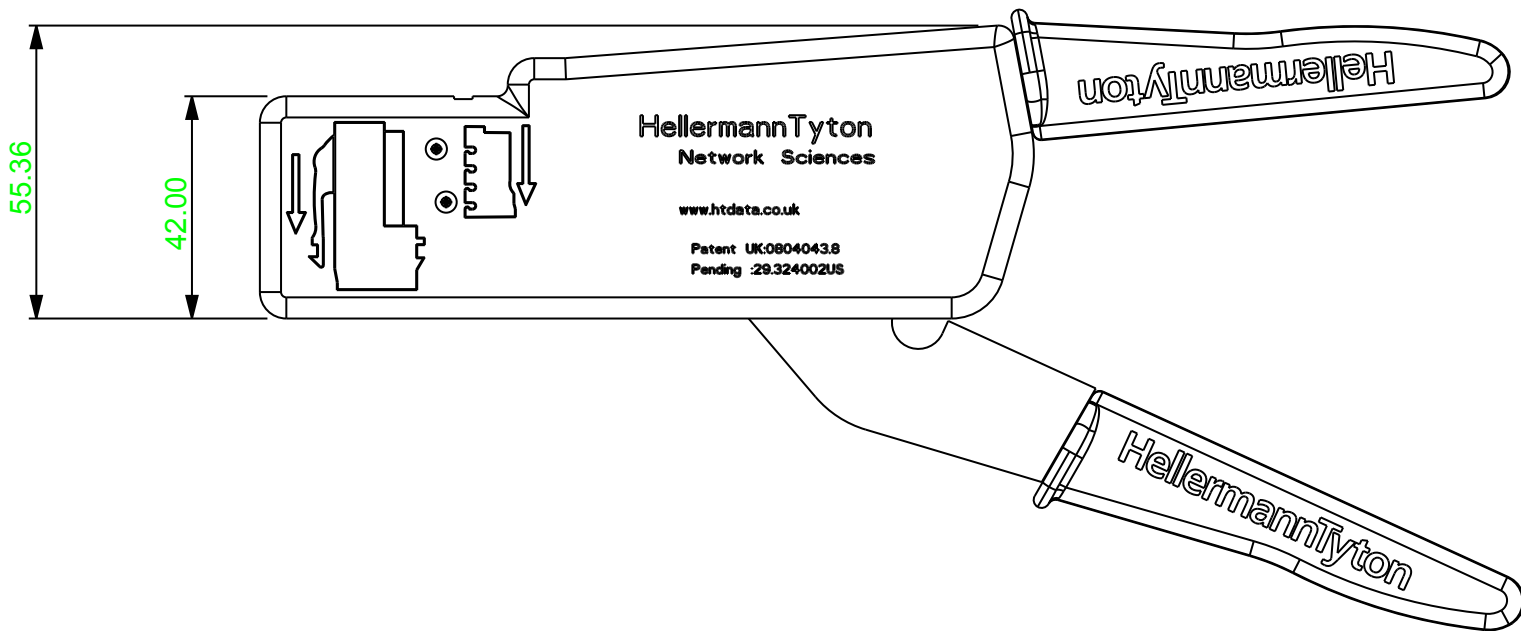
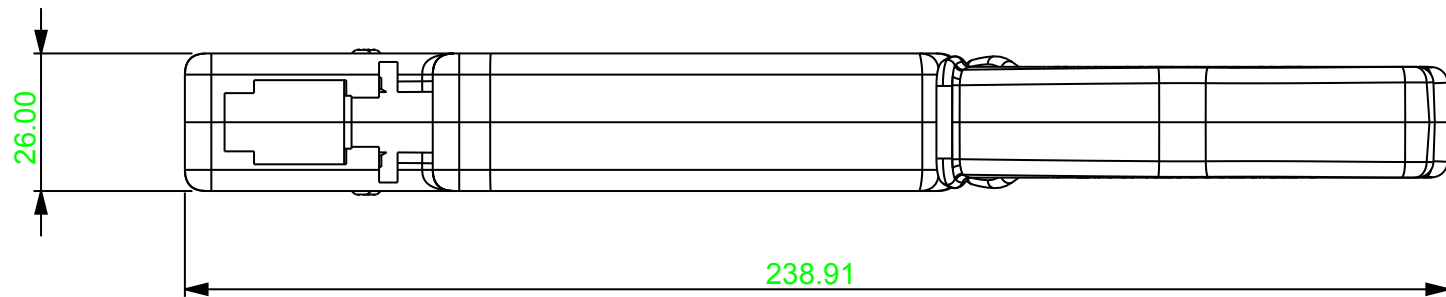
Contact us

Tel: +86-755-8981 8866 Fax: +86-755-8427 6832

Email & Skype: info@chipsmall.com Web: www.chipsmall.com

Address: A1208, Overseas Decoration Building, #122 Zhenhua RD., Futian, Shenzhen, China





I N V E N T O R S	HellermannTyton <i>Cable Management Products</i>		
	ALL PROPRIETARY RIGHTS IN THE SUBJECT MATTER SHOWN ON THIS DRAWING ARE EXCLUSIVE PROPERTY OF HELLERMANN TYTON		
	name	date	city, state
	Stuart Ponting	19/05/09	Northampton, England

R E V I S I O N	DRAWN by	△
	DATE	
	REVISION	
	GECN #	
	part level	

D I M E N S I O N S	TOLERANCES	.XXXX=#0.001
	.XXX=#0.010	
	.XX=#0.02	
	.X=#0.1	
	∠=#0.5	
	unless otherwise specified	
	units	inches

P A R T	number	HT-KSJ08S-TT	phase	
	name	Cat6A Termination Tool		
	material			

D R A W I N G	FORMAT	AH	version	J	CAD	PRO-E	scale	0.700
	computer file number							
	DRAWN	S.Ponting		checked			approved	
	DATE	19/05/2009						
	type							sheet
	number	P201-319						