



Chipsmall Limited consists of a professional team with an average of over 10 year of expertise in the distribution of electronic components. Based in Hongkong, we have already established firm and mutual-benefit business relationships with customers from,Europe,America and south Asia,supplying obsolete and hard-to-find components to meet their specific needs.

With the principle of “Quality Parts,Customers Priority,Honest Operation,and Considerate Service”,our business mainly focus on the distribution of electronic components. Line cards we deal with include Microchip,ALPS,ROHM,Xilinx,Pulse,ON,Everlight and Freescale. Main products comprise IC,Modules,Potentiometer,IC Socket,Relay,Connector.Our parts cover such applications as commercial,industrial, and automotives areas.

We are looking forward to setting up business relationship with you and hope to provide you with the best service and solution. Let us make a better world for our industry!



## Contact us

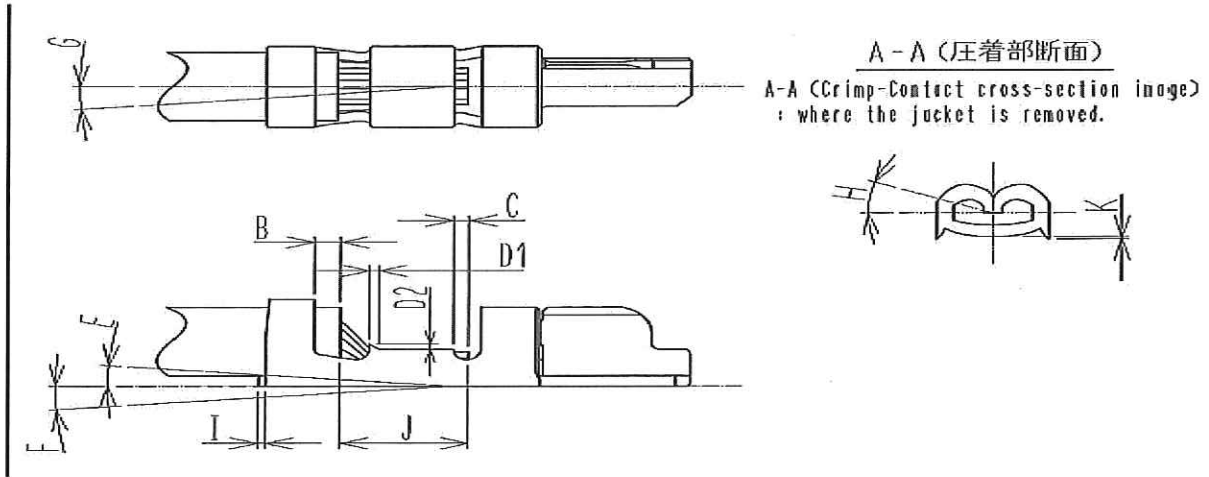
Tel: +86-755-8981 8866 Fax: +86-755-8427 6832

Email & Skype: info@chipsmall.com Web: www.chipsmall.com

Address: A1208, Overseas Decoration Building, #122 Zhenhua RD., Futian, Shenzhen, China



# HT801/DF59-22P



Applicable contact	Applicable Wire				Crimp Height at Conductor	Crimp Height at Insulator	Crimp Barrel Tensile
	UL NO.	AWG NO	Structure of wire				
DF59-22PCFA	1061	22	17/0.16		0.64~0.70	1.70~1.80	40N

Reference	Points	Measurement/Tolerance (mm)	
Cover Location	B	0.2 ~ 0.7	
Tip of Core	C	0.2 ~ 0.4	
Bell-mouth	D1	0.1 ~ 0.3	
	D2	0.05 ~ 0.2	
Bent-up	E	2° MAX	
Bent-down	F	3° MAX	
Twist	G	+/- 2° MAX	
Rolling	H	+/- 4° MAX	
Cut-off Tab	I	0.05 MAX	
Strip Length	J	1.7 ~ 2.3	Strip length prior to crimping
Metal Cut-out teeth height	K	0.05 MAX	