



Chipsmall Limited consists of a professional team with an average of over 10 year of expertise in the distribution of electronic components. Based in Hongkong, we have already established firm and mutual-benefit business relationships with customers from,Europe,America and south Asia,supplying obsolete and hard-to-find components to meet their specific needs.

With the principle of “Quality Parts,Customers Priority,Honest Operation,and Considerate Service”,our business mainly focus on the distribution of electronic components. Line cards we deal with include Microchip,ALPS,ROHM,Xilinx,Pulse,ON,Everlight and Freescale. Main products comprise IC,Modules,Potentiometer,IC Socket,Relay,Connector.Our parts cover such applications as commercial,industrial, and automotives areas.

We are looking forward to setting up business relationship with you and hope to provide you with the best service and solution. Let us make a better world for our industry!



Contact us

Tel: +86-755-8981 8866 Fax: +86-755-8427 6832

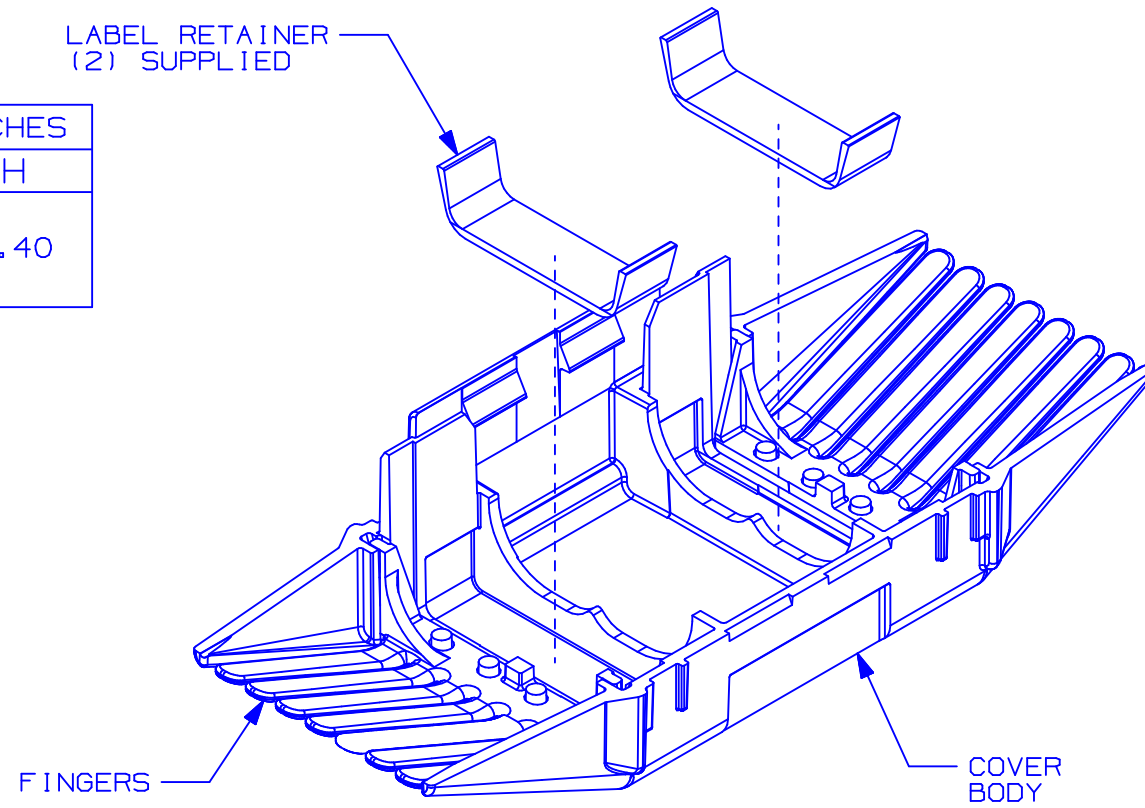
Email & Skype: info@chipsmall.com Web: www.chipsmall.com

Address: A1208, Overseas Decoration Building, #122 Zhenhua RD., Futian, Shenzhen, China



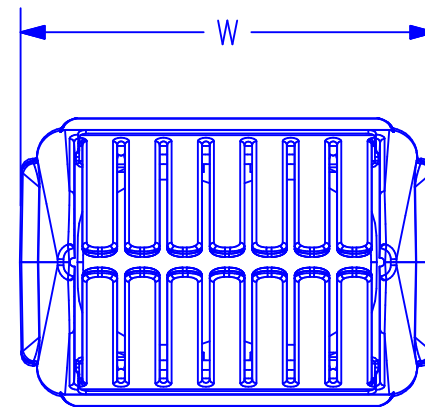
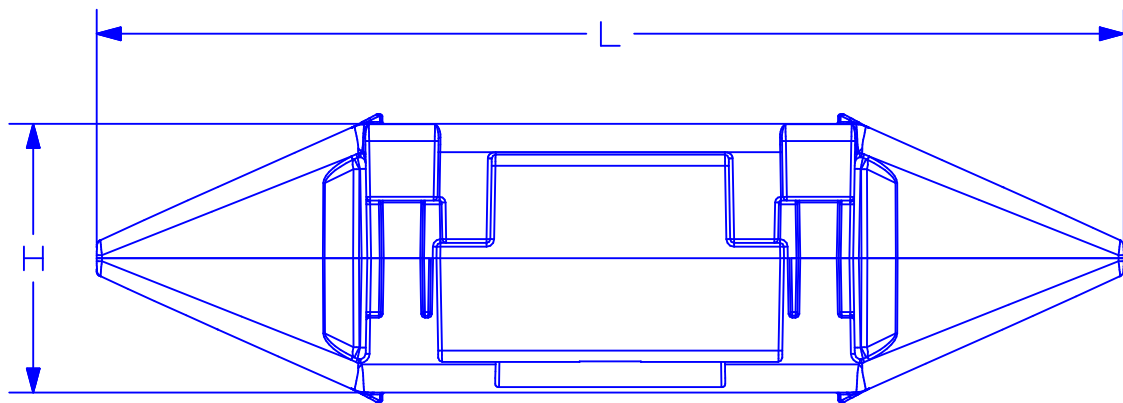
PART NUMBER	FOR PANDUIT H-TAPS	DIMENSIONS IN INCHES		
		L	W	H
CLRCVR3-1	HTCT250-8-1 HTCT250-2-1 HTCT250-250-1	5.35	2.16	1.40

LABEL RETAINER
(2) SUPPLIED



NOTES:

- MATERIAL:
CLEAR POLYCARBONATE COVER BODY WITH BLACK POLYPROPYLENE FINGERS.
A) HIGH IMPACT STRENGTH
B) U.V. RESISTANT
C) FLAMMABILITY RATED (UL94 V-0)
D) LIMITING OXYGEN INDEX (L.O.I.) = 28 MINIMUM.
- UL LISTED & CSA CERTIFIED:
A) WHEN USED WITH SPECIFIED PANDUIT H-TAPS
B) MAXIMUM TEMPERATURE RATING OF INSULATION MATERIAL: 90°C
C) VOLTAGE RATING OF COVER: 600V. MAX.
- COVER PART NUMBER INCLUDES TWO (2) COVER HALVES, TWO (2) MATTED SURFACE SNAP IN LABEL RETAINERS, AND TWO (2) CABLE TIES TO SUPPLEMENT THE MOLDED-IN LATCHES.



TWO PIECE CONSTRUCTION WITH SNAP TOGETHER LATCHES



LISTED
WIRE CONNECTOR



CERTIFIED

CAD FILENAME/LAYERS C41474_00

PANDUIT CORP. TINLEY PARK, ILLINOIS

HTAP CLEAR COVER CLRCVR3
CUSTOMER DRAWING

UNLESS OTHERWISE SPECIFIED,
DIMENSIONAL TOLERANCES ARE:
(.X) ± .05 (.XXX) ± .05
(.XX) ± .06 ANGLES ± .5°

UNLESS OTHERWISE SPECIFIED,
ALL DIMENSIONS ARE GIVEN
IN INCHES, THIRD ANGLE PROJECTION.

DRAWN BY JHNU

MAT'L:

SCALE NONE

DATE 12/22/04

SEE NOTES

DRAWING NO.

C41474

DWG
B
SIZE

REV	DATE	BY	CHK	DESCRIPTION	ECN	PM	CUST
00	12/04	JHNU		DRAWING RELEASED			