



Chipsmall Limited consists of a professional team with an average of over 10 year of expertise in the distribution of electronic components. Based in Hongkong, we have already established firm and mutual-benefit business relationships with customers from,Europe,America and south Asia,supplying obsolete and hard-to-find components to meet their specific needs.

With the principle of “Quality Parts,Customers Priority,Honest Operation,and Considerate Service”,our business mainly focus on the distribution of electronic components. Line cards we deal with include Microchip,ALPS,ROHM,Xilinx,Pulse,ON,Everlight and Freescale. Main products comprise IC,Modules,Potentiometer,IC Socket,Relay,Connector.Our parts cover such applications as commercial,industrial, and automotives areas.

We are looking forward to setting up business relationship with you and hope to provide you with the best service and solution. Let us make a better world for our industry!



## Contact us

Tel: +86-755-8981 8866 Fax: +86-755-8427 6832

Email & Skype: info@chipsmall.com Web: www.chipsmall.com

Address: A1208, Overseas Decoration Building, #122 Zhenhua RD., Futian, Shenzhen, China



# DATA SHEET

## **hitag**

### **HTEV800**

### **HITAG long range evaluation kit**

Product specification  
Supersedes data of 1999 Jan 01  
File under Integrated Circuits, IC11

2001 Sep 24

# HITAG long range evaluation kit

# HTEV800

## FEATURES

The evaluation kit comprises the following components:

- HITAG long range read and write device
- Power supply unit +15 V and -15 V
- AC mains supply cable
- DC power supply cable
- External antenna including flat cable
- RS232 interface cable
- HITAG transponders
- CD-ROM with:
  - Demonstration software
  - Evaluation software
  - 'C' source code
  - User manual.

## APPLICATIONS

- Easy integration and application of HITAG reader modules.

## GENERAL DESCRIPTION

HITAG<sup>(1)</sup> is the name of one of the universal and powerful product lines of our 125 kHz family. The HITAG product family is used both in the proximity area (operating range up to approximately 200 mm) and in the long range area (operating range up to approximately 1 000 mm).

(1) HITAG - is a trademark of Philips Semiconductors Gratkorn GmbH.

## ORDERING INFORMATION

PART NUMBER	NAME	ORDER CODE (12NC)
HTEV800	HITAG long range evaluation kit	9352 341 50122



Developing our HITAG products, utmost consideration was given to security and reliability. The use of cryptography guarantees highest data security.

The central part of every HITAG read and write device is the HITAG core module, which ensures full compatibility for every HITAG read and write device.

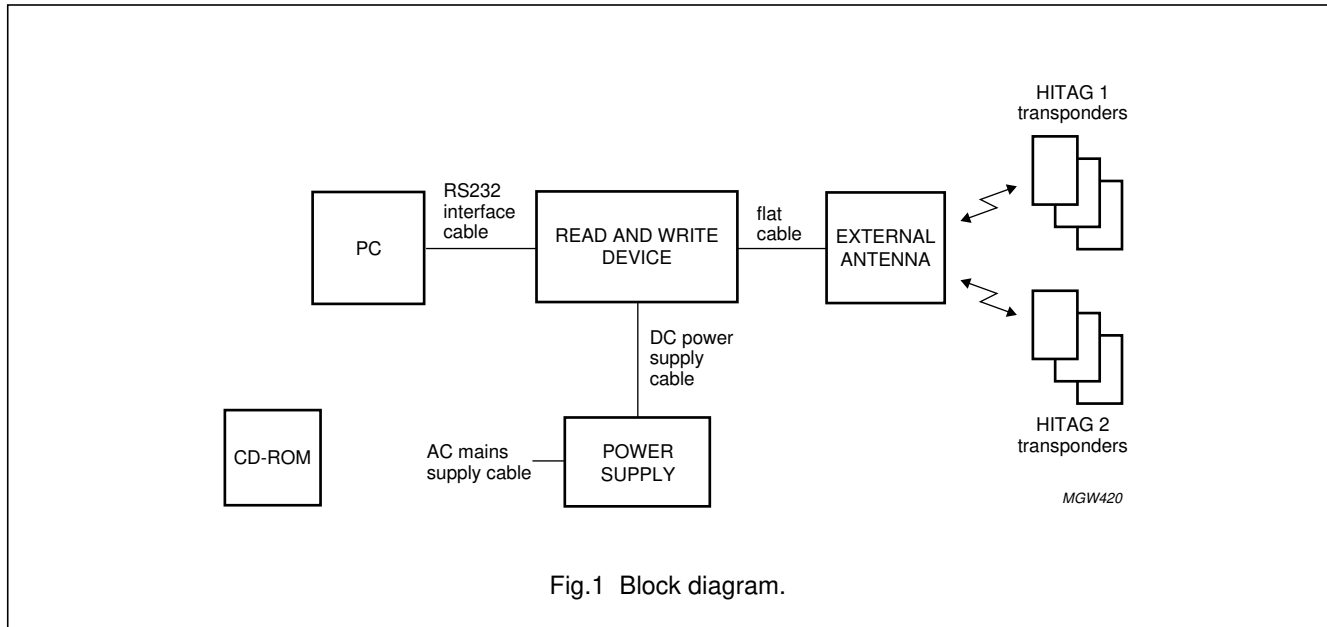
To give you the possibility for an easy and quick start with our HITAG products we offer a HITAG long range evaluation kit. Easy application certainly is an important factor in making the long range evaluation kit suitable for evaluation purposes. You will be able to present your ideas and demonstrate the performance of your system with the help of the HITAG evaluation kit.

The HTEV800 supports both HITAG 1 and HITAG 2 products. Moreover, the HTEV800 supports the anticollision feature of HITAG 1.

## HITAG long range evaluation kit

## HTEV800

## BLOCK DIAGRAM



## FUNCTIONAL DESCRIPTION

## Hardware start-up

Metallic environment and electromagnetic interferences (e.g. monitors and keyboards) have a negative effect on the range. At the HITAG long range read and write device, the signal processing unit is able to suppress up to two harmonic disturbers.

## CONNECTING THE ANTENNA

If an own built antenna instead of the standard flat cable antenna is used, please refer to application note *"Antenna design for the HITAG long range system"*.

## CONNECTING THE READ AND WRITE DEVICE TO THE PC AND POWER SUPPLY

**After** connecting the antenna, connect the supplied interface cable to the serial interface (port COM 1 or port COM 2) on your PC.

Plug the DC power supply cable into the power supply unit and please take attention to the marking at the back of the supply unit (110 or 240 VAC).

## Software start-up

## SYSTEM REQUIREMENTS

In order to use the RFIDDEMO software the following system requirements must be satisfied:

- IBM-PC or compatible (minimum 286 processor)
- 640 kbyte RAM
- Serial interface.

## INSTALLATION

1. Create a new directory on your PC for the demo-files (e.g. C:\RFIDDEMO).
2. Copy all the files from the CD-ROM into the new directory.

## STARTING THE DEMO-PROGRAM

We strongly recommend to carefully read the user manual *"RFIDDEMO HITAG evaluation software"* before starting the demo-system. Inconsiderate use of individual menu options may result in unwanted irreversible changes in access rights.

Start your demo-program by typing the command RFIDDEMO.EXE.

---

**HITAG long range evaluation kit****HTEV800**

---

**CHARACTERISTICS**

<b>DEVICE</b>	<b>PARAMETER</b>
Power supply voltage	AC mains: 240 V, 50 Hz; optional 110 V, 60 Hz (as per agreement)
Read and write device	interface: RS232
	operating frequency: 125 kHz
Antenna	dimensions: 340 × 360 mm
	connection: flat cable
Operating temperature	0 to 70 °C

**REFERENCE DOCUMENTS**

<b>CATEGORY</b>	<b>TITLE</b>
Application note	<i>"Antenna design for the HITAG long range system"</i>
User manual	<i>"RFIDDEMO HITAG evaluation software"</i>

## HITAG long range evaluation kit

## HTEV800

## DATA SHEET STATUS

DATA SHEET STATUS <sup>(1)</sup>	PRODUCT STATUS <sup>(2)</sup>	DEFINITIONS
Objective data	development	This data sheet contains data from the objective specification for product development. Philips Semiconductors reserves the right to change the specification in any manner without notice.
Preliminary data	qualification	This data sheet contains data from the preliminary specification. Supplementary data will be published at a later date. Philips Semiconductors reserves the right to change the specification without notice, in order to improve the design and supply the best possible product.
Product data	production	This data sheet contains data from the product specification. Philips Semiconductors reserves the right to make changes at any time in order to improve the design, manufacturing and supply. Changes will be communicated according to the customer product/process change notification (CPCN) procedure SNW-SQ-650A.

## Notes

1. Please consult the most recently issued data sheet before initiating or completing a design.
2. The product status of the device(s) described in this data sheet may have changed since this data sheet was published. The latest information is available on the Internet at URL <http://www.semiconductors.philips.com>.

## DEFINITIONS

**Short-form specification** — The data in a short-form specification is extracted from a full data sheet with the same type number and title. For detailed information see the relevant data sheet or data handbook.

**Limiting values definition** — Limiting values given are in accordance with the Absolute Maximum Rating System (IEC 60134). Stress above one or more of the limiting values may cause permanent damage to the device. These are stress ratings only and operation of the device at these or at any other conditions above those given in the Characteristics sections of the specification is not implied. Exposure to limiting values for extended periods may affect device reliability.

**Application information** — Applications that are described herein for any of these products are for illustrative purposes only. Philips Semiconductors make no representation or warranty that such applications will be suitable for the specified use without further testing or modification.

## DISCLAIMERS

**Life support applications** — These products are not designed for use in life support appliances, devices, or systems where malfunction of these products can reasonably be expected to result in personal injury. Philips Semiconductors customers using or selling these products for use in such applications do so at their own risk and agree to fully indemnify Philips Semiconductors for any damages resulting from such application.

**Right to make changes** — Philips Semiconductors reserves the right to make changes, without notice, in the products, including circuits, standard cells, and/or software, described or contained herein in order to improve design and/or performance. Philips Semiconductors assumes no responsibility or liability for the use of any of these products, conveys no licence or title under any patent, copyright, or mask work right to these products, and makes no representations or warranties that these products are free from patent, copyright, or mask work right infringement, unless otherwise specified.

---

HITAG long range evaluation kit

HTEV800

---

**NOTES**

---

HITAG long range evaluation kit

HTEV800

---

**NOTES**



# ***Philips Semiconductors – a worldwide company***

## **Contact information**

For additional information please visit <http://www.semiconductors.philips.com>. Fax: +31 40 27 24825

For sales offices addresses send e-mail to: [sales.addresses@www.semiconductors.philips.com](mailto:sales.addresses@www.semiconductors.philips.com).

© Koninklijke Philips Electronics N.V. 2001

SCA73

All rights are reserved. Reproduction in whole or in part is prohibited without the prior written consent of the copyright owner.

The information presented in this document does not form part of any quotation or contract, is believed to be accurate and reliable and may be changed without notice. No liability will be accepted by the publisher for any consequence of its use. Publication thereof does not convey nor imply any license under patent- or other industrial or intellectual property rights.

Printed in The Netherlands

613502/02/pp8

Date of release: 2001 Sep 24

Document order number: 9397 750 08335

*Let's make things better.*

**Philips  
Semiconductors**



**PHILIPS**