



Chipsmall Limited consists of a professional team with an average of over 10 year of expertise in the distribution of electronic components. Based in Hongkong, we have already established firm and mutual-benefit business relationships with customers from,Europe,America and south Asia,supplying obsolete and hard-to-find components to meet their specific needs.

With the principle of “Quality Parts,Customers Priority,Honest Operation,and Considerate Service”,our business mainly focus on the distribution of electronic components. Line cards we deal with include Microchip,ALPS,ROHM,Xilinx,Pulse,ON,Everlight and Freescale. Main products comprise IC,Modules,Potentiometer,IC Socket,Relay,Connector.Our parts cover such applications as commercial,industrial, and automotives areas.

We are looking forward to setting up business relationship with you and hope to provide you with the best service and solution. Let us make a better world for our industry!



## Contact us

Tel: +86-755-8981 8866 Fax: +86-755-8427 6832

Email & Skype: info@chipsmall.com Web: www.chipsmall.com

Address: A1208, Overseas Decoration Building, #122 Zhenhua RD., Futian, Shenzhen, China



### SPECIFICATIONS

#### ELECTRICAL

SUPPLY VOLTAGE	5V DC
SUPPLY CURRENT	10mA max
OUTPUT CURRENT	2mA max
EFFECTIVE OUTPUT	0V - 5V DC
OUTPUT TOLERANCE	±2%

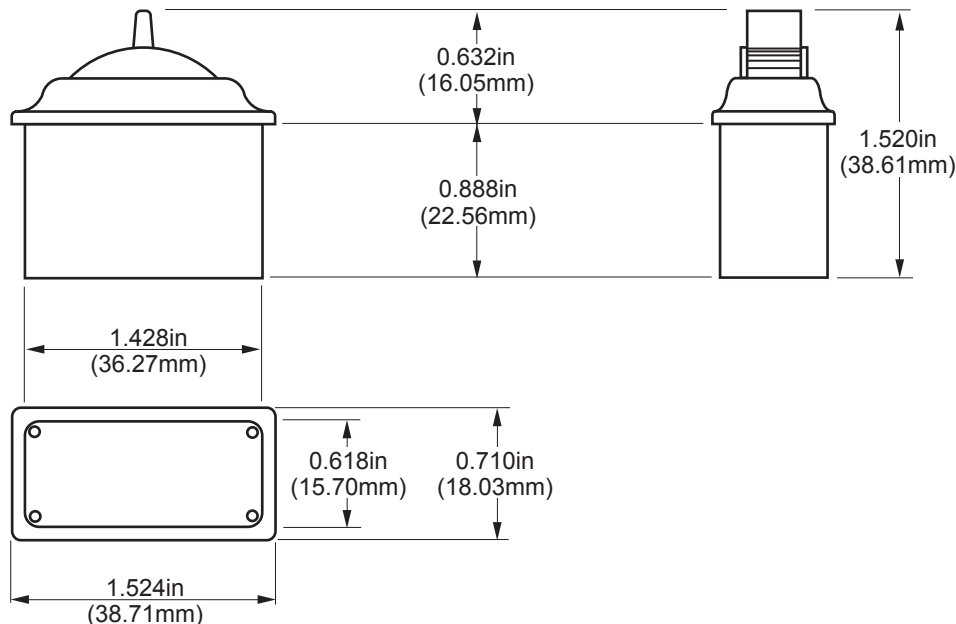
#### MECHANICAL

OPERATING TRAVEL	80° (40° from center)
CENTERING	Spring centering
ACTUATION FORCE	80g (0.78 Newtons)
OPERATING TEMPERATURE	-40° to +85°C
THUMBWHEEL COLOR	Blue
LIFE EXPECTANCY	5 million operations

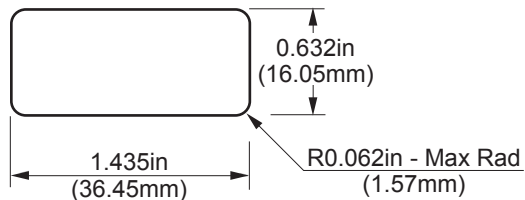
#### WIRING

RED	+5V
BLACK	Ground
BLUE	Output

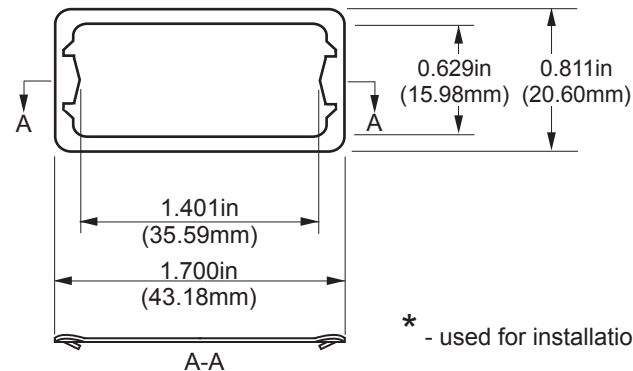
RoHS compliant



#### MOUNTING CUT-OUT DIMENSIONS



#### STEEL SPRING RETAINER \*



P/N	<b>HTW-00-BLUE</b>	REV	<b>A</b>
DESCRIPTION	<b>Thumbwheel - Blue</b>		
PROPRIETARY AND CONFIDENTIAL THE INFORMATION CONTAINED IN THIS DRAWING IS THE SOLE PROPERTY OF CH PRODUCTS. ANY REPRODUCTION IN PART OR AS WHOLE WITHOUT THE WRITTEN PERMISSION OF CH PRODUCTS IS PROHIBITED.			