



Chipsmall Limited consists of a professional team with an average of over 10 year of expertise in the distribution of electronic components. Based in Hongkong, we have already established firm and mutual-benefit business relationships with customers from,Europe,America and south Asia,supplying obsolete and hard-to-find components to meet their specific needs.

With the principle of "Quality Parts,Customers Priority,Honest Operation,and Considerate Service",our business mainly focus on the distribution of electronic components. Line cards we deal with include Microchip,ALPS,ROHM,Xilinx,Pulse,ON,Everlight and Freescale. Main products comprise IC,Modules,Potentiometer,IC Socket,Relay,Connector.Our parts cover such applications as commercial,industrial, and automotives areas.

We are looking forward to setting up business relationship with you and hope to provide you with the best service and solution. Let us make a better world for our industry!



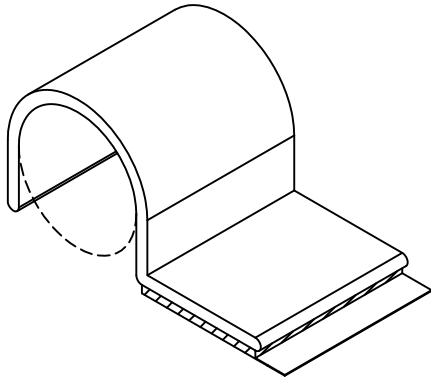
Contact us

Tel: +86-755-8981 8866 Fax: +86-755-8427 6832

Email & Skype: info@chipsmall.com Web: www.chipsmall.com

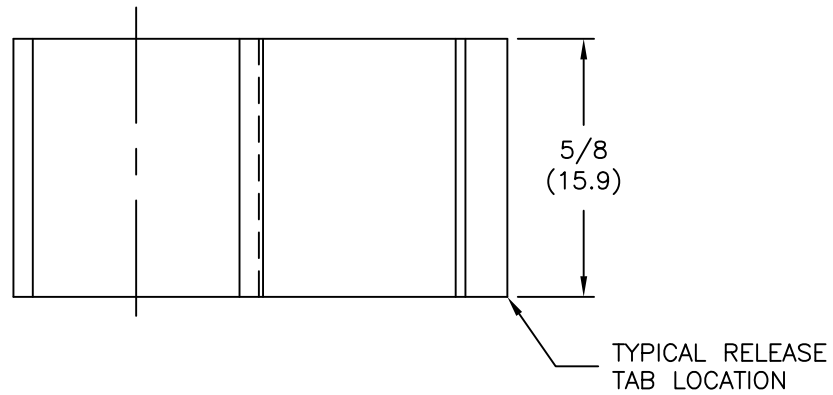
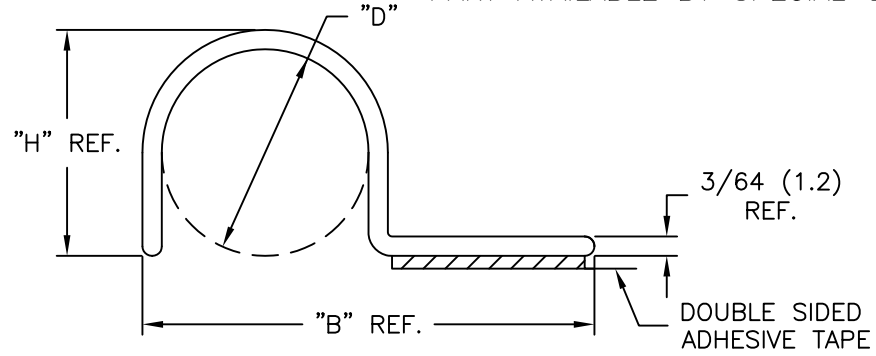
Address: A1208, Overseas Decoration Building, #122 Zhenhua RD., Futian, Shenzhen, China





PART NO.	"D" BUNDLE DIA.	"B"	"H"
HUC-2-RT	1/8 (3.2)	23/32 (18.3)	11/64 (4.4)
HUC-4-RT	1/4 (6.4)	27/32 (21.4)	19/64 (7.5)
*HUC-6-RT	3/8 (9.5)	31/32 (24.6)	27/64 (10.7)
*HUC-8-RT	1/2 (12.7)	1-3/32 (27.8)	35/64 (13.9)

*PART AVAILABLE BY SPECIAL ORDER ONLY



NOTES:

1. MAT'L: RIGID PVC (RMS-04)
2. COLOR: BLACK
3. TAPE: 1/32" THICK DOUBLE SIDED ADHESIVE (RMS-15)

F	SEE CO 200604 FOR CHANGES	SK 12.01.10	TITLE: HALF "U" CLIP				⊕	⊞	DWG IN IN(MM)	QR
E	SEE CO 200035 FOR CHANGES	SK 09.26.07	FILE # HUC		DWN: S.M.	DT: 12/15/00	FINAL			
D	SEE ECN # 1135	SJ 03.07.06	MAT'L: SEE NOTES		CHKD:	ENG:	PART #		PRINT	
C	COMPLETELY RE-DRAWN & CHANGED FILE #	S.M.12.15.00	RE: RICHCO, INC.		RICHCO INC. ENG@RICHCO-INC.COM (773) 539-4060		SEE TABLE		TYPE	
B	CORRECTED TAPE THICKNESS TO 1/32"	JK 2.18.00	TOLERANCES UNLESS NOTED .XX=±.020 .XXX=±.015 FRAC=±1/32 ANG=±1'						CA	
A	ADDED NOTES, CORRECTED TAPE THICKNESS TO 1/16"	JK 2.10.00								
REV	DESCRIPTION	ENGR DATE								