



Chipsmall Limited consists of a professional team with an average of over 10 year of expertise in the distribution of electronic components. Based in Hongkong, we have already established firm and mutual-benefit business relationships with customers from,Europe,America and south Asia,supplying obsolete and hard-to-find components to meet their specific needs.

With the principle of “Quality Parts,Customers Priority,Honest Operation,and Considerate Service”,our business mainly focus on the distribution of electronic components. Line cards we deal with include Microchip,ALPS,ROHM,Xilinx,Pulse,ON,Everlight and Freescale. Main products comprise IC,Modules,Potentiometer,IC Socket,Relay,Connector.Our parts cover such applications as commercial,industrial, and automotives areas.

We are looking forward to setting up business relationship with you and hope to provide you with the best service and solution. Let us make a better world for our industry!



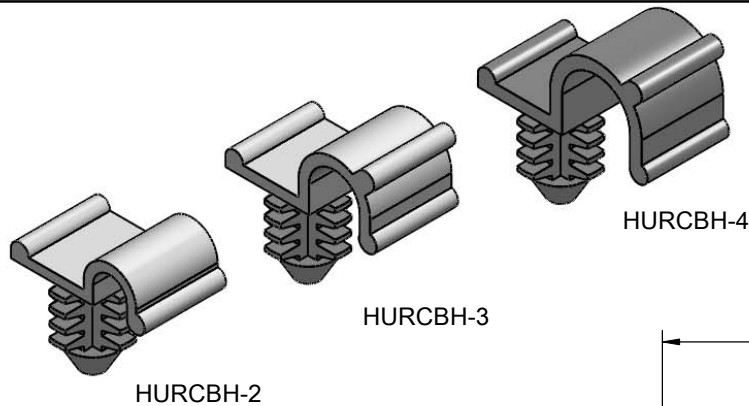
Contact us

Tel: +86-755-8981 8866 Fax: +86-755-8427 6832

Email & Skype: info@chipsmall.com Web: www.chipsmall.com

Address: A1208, Overseas Decoration Building, #122 Zhenhua RD., Futian, Shenzhen, China





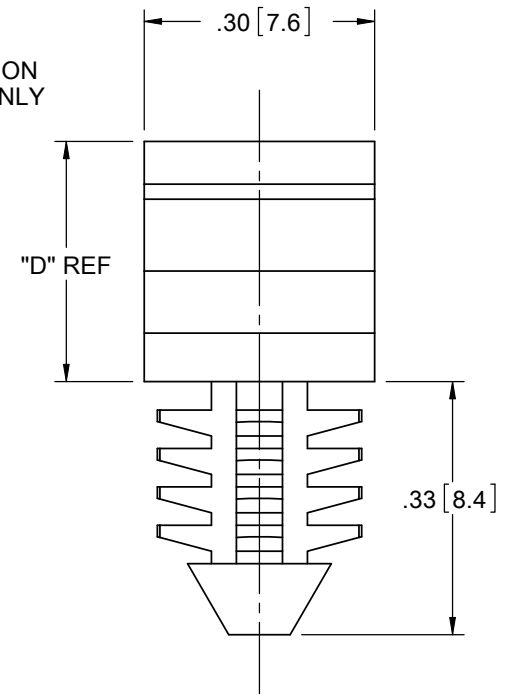
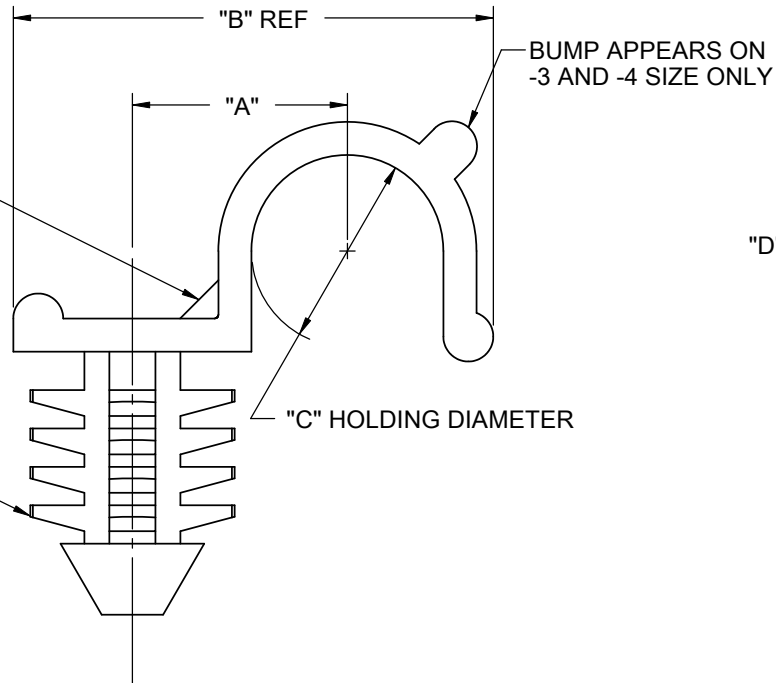
PART NO.	"A"	"B" REF	"C" HOLDING DIAMETER	"D" REF
HURCBH-2-01	.20 [5.1]	.49 [12.4]	1/8 [3.2]	.17 [4.3]
HURCBH-3-01	.24 [6.1]	.56 [14.2]	3/16 [4.8]	.24 [6.1]
HURCBH-4-01	.27 [6.9]	.62 [15.7]	1/4 [6.4]	.30 [7.6]

HURCBH-3

HURCBH-2

HURCBH-4

GUSSET APPEARS ON
-4 SIZE ONLY



TO PRESS FIT IN A $\varnothing .250 \pm .003$ [6.35 \pm .076] HOLE
IN A .25 [6.35] MIN PANEL THICKNESS

NOTES:

- MATERIAL: NYLON 6/6 UL 94 V-2 (RMS-01).
NYLON 6/6 UL 94 V-0 (RMS-19) AVAILABLE
BY SPECIAL ORDER ONLY.
NYLON 4/6 UL 94 V-2 (RMS-109) AVAILABLE
BY SPECIAL ORDER ONLY.
TO ORDER REPLACE "-01" WITH "-109"
- COLOR: NATURAL.

TITLE: "HALF-U" ROUTING CLIP W/ BLIND HOLE FIX



UNITS
IN [MM]



CREATED USING SOLIDWORKS	FILE #: HURCBH	DWN: D.Z.	APP: D.Z.	FINAL	
TOLERANCES UNLESS NOTED .XX=±.010 .XXX=±.005 FRAC.=±1/64 ANG.=±1°	SHEET: 1 OF 1	SHEET SIZE: A	DT: JAN/03/2011	CHKD: S.K.	PART #
RE: RICHCO, INC.	RICHCO, INC. ENG@RICHCO-INC.COM (773) 539-4060		SEE TABLE		PRINT TYPE CA

A	RELEASED FOR PRODUCTION	SK 01/12/2011
REV.	DESCRIPTION	ENGR. DATE