



Chipsmall Limited consists of a professional team with an average of over 10 year of expertise in the distribution of electronic components. Based in Hongkong, we have already established firm and mutual-benefit business relationships with customers from,Europe,America and south Asia,supplying obsolete and hard-to-find components to meet their specific needs.

With the principle of "Quality Parts,Customers Priority,Honest Operation,and Considerate Service",our business mainly focus on the distribution of electronic components. Line cards we deal with include Microchip,ALPS,ROHM,Xilinx,Pulse,ON,Everlight and Freescale. Main products comprise IC,Modules,Potentiometer,IC Socket,Relay,Connector.Our parts cover such applications as commercial,industrial, and automotives areas.

We are looking forward to setting up business relationship with you and hope to provide you with the best service and solution. Let us make a better world for our industry!



Contact us

Tel: +86-755-8981 8866 Fax: +86-755-8427 6832

Email & Skype: info@chipsmall.com Web: www.chipsmall.com

Address: A1208, Overseas Decoration Building, #122 Zhenhua RD., Futian, Shenzhen, China



16-Channel, Low Harmonic Distortion, High Voltage Analog Switch with Bleed Resistors

Features

- ▶ Low harmonic distortion
- ▶ Integrated bleed resistors on the outputs
- ▶ 3.3 or 5.5V CMOS input logic level
- ▶ 20MHz data shift clock frequency
- ▶ HVCMOS technology for high performance
- ▶ Very low quiescent power dissipation (-10µA)
- ▶ Low parasitic capacitance
- ▶ DC to 50MHz small signal frequency response
- ▶ CMOS logic circuitry for low power
- ▶ Excellent noise immunity
- ▶ Cascadable serial data register with latches
- ▶ Flexible operating supply voltages

Applications

- ▶ Medical ultrasound imaging
- ▶ NDT metal flaw detection
- ▶ Piezoelectric transducer drivers
- ▶ Optical MEMS modules

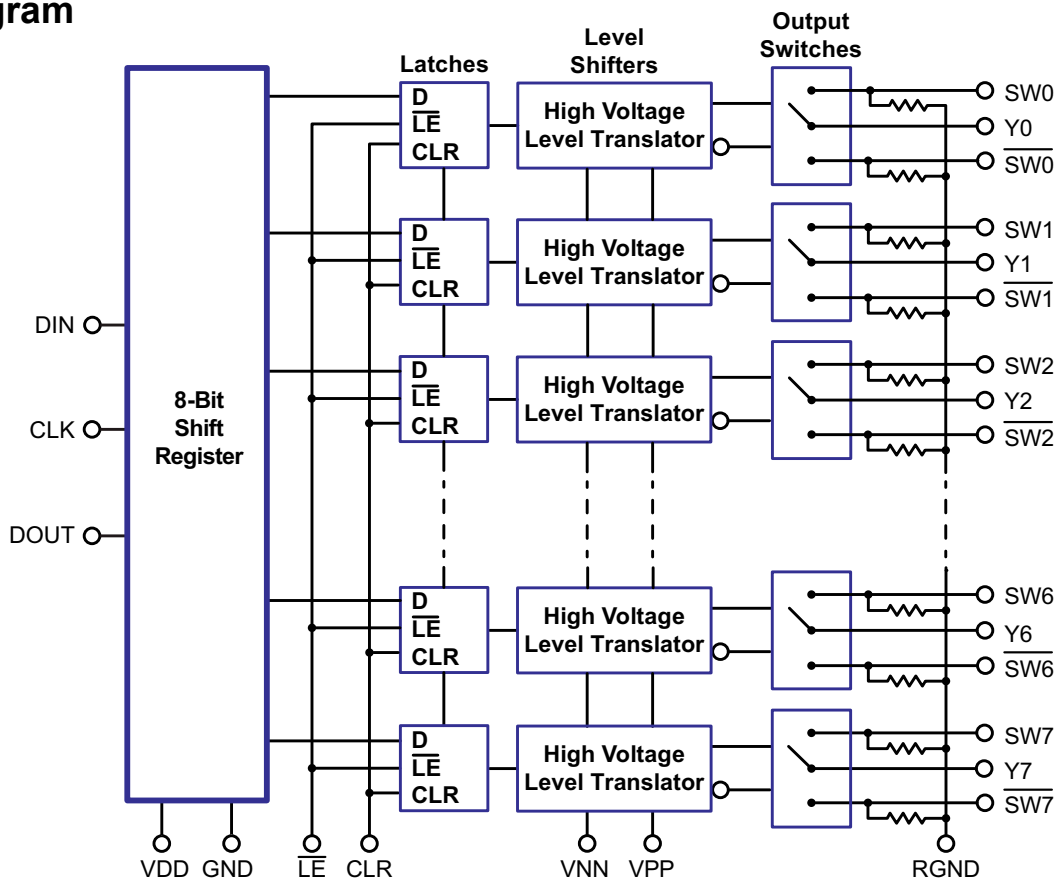
General Description

The Supertex HV2733 is a low charge injection, 16-channel, low harmonic distortion, high voltage analog switch integrated circuit (IC) intended for use in applications requiring high voltage switching, controlled by low voltage control signals, such as medical ultrasound imaging, piezoelectric transducer drivers, and printers. The bleed resistors eliminate voltage built up on capacitive loads such as piezoelectric transducers.

The outputs are configured as single-pole double-throw analog switches. Data are shifted into a 8-bit shift register using an external clock. The \overline{LE} latches the shift register data into the individual switch latches. A logic high connects a switch common YX to SWX. A logic low connects YX to \overline{SWX} . A logic high in CLR resets all switches to \overline{SWX} simultaneously.

To reduce any possible clock feed-through noise, the latch enable bar (\overline{LE}) should be left high until all bits are clocked in. Data are clocked in during the rising edge of the clock. Using HVCMOS technology, this device combines high voltage bilateral DMOS switches and low power CMOS logic to provide efficient control of high voltage analog signals.

Block Diagram



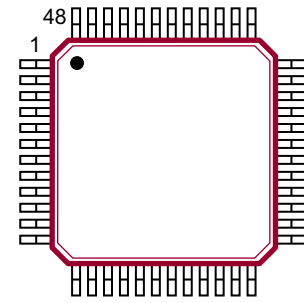
Ordering Information

Device	Package Option
	48-Lead LQFP 7.00x7.00mm body 1.60mm height (max) 0.50mm pitch
HV2733	HV2733FG-G

-G indicates package is RoHS compliant ('Green')



Pin Configuration



48-Lead LQFP (FG)
(top view)

Product Marking

Top Marking



YY = Year Sealed
 WW = Week Sealed
 L = Lot Number

Bottom Marking



C = Country of Origin*
 A = Assembler ID*
 _____ = "Green" Packaging
 *May be part of top marking

48-Lead LQFP (FG)

Packages may or may not include the following marks: Si or

Absolute Maximum Ratings

Parameter	Value
V _{DD} logic supply	-0.5V to +7.0V
V _{PP} - V _{NN} differential supply	220V
V _{PP} positive supply	-0.5V to +200V
V _{NN} negative supply	+0.5V to -200V
Logic input voltage	-0.5V to V _{DD} +0.3V
V _{SIG} analog signal range	V _{NN} to V _{PP}
Peak analog signal current/channel	2.5A
Storage temperature	-65°C to 150°C
Power dissipation, 48-Lead LQFP	1.0W

Absolute Maximum Ratings are those values beyond which damage to the device may occur. Functional operation under these conditions is not implied. Continuous operation of the device at the absolute rating level may affect device reliability. All voltages are referenced to device ground.

Recommended Operating Conditions

Sym	Parameter	Value
V _{DD}	Logic power supply voltage	3.0V to 5.5V
V _{PP}	Positive high voltage supply	+40V to V _{NN} +200V
V _{NN}	Negative high voltage supply	-40V to -160V
V _{IH}	High level input voltage	0.9V _{DD} to V _{DD}
V _{IL}	Low level input voltage	0V to 0.1V _{DD}
V _{SIG}	Analog signal voltage peak-to-peak	V _{NN} +10V to V _{PP} -10V
T _A	Operating free air temperature	0°C to 70°C

Notes:

- Power up/down sequence is arbitrary except GND must be powered-up first and powered-down last.
- V_{SIG} must be within V_{NN} and V_{PP} or floating during power up/down transition.
- Rise and fall times of power supplies V_{DD}, V_{PP} and V_{NN} should not be less than 1.0msec.

DC Electrical Characteristics

(over recommended operating conditions unless otherwise noted)

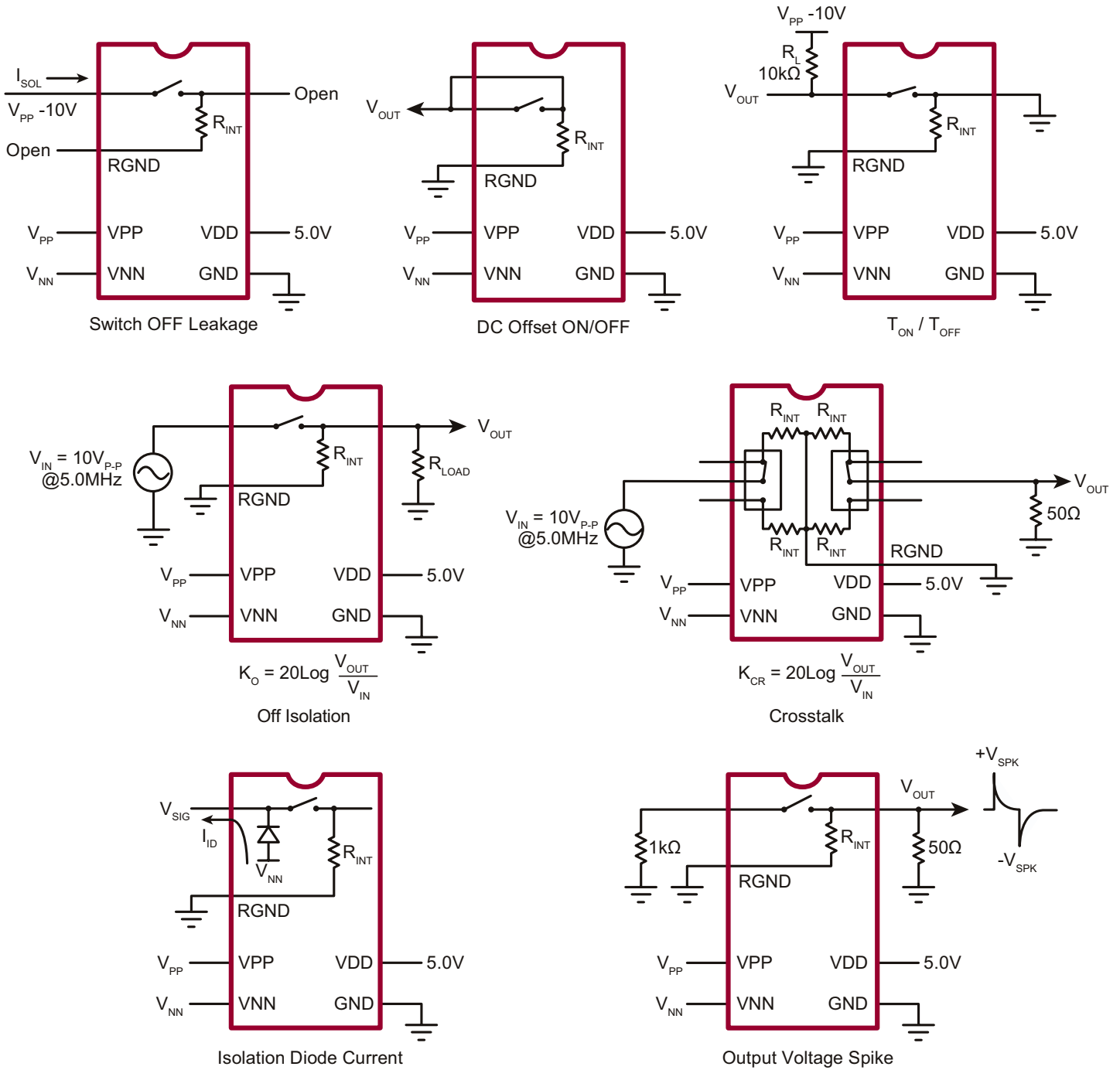
Sym	Parameter	0°C		+25°C			+70°C		Units	Conditions	
		Min	Max	Min	Typ	Max	Min	Max			
R _{ONS}	Small signal switch ON-resistance	-	30	-	26	38	-	48	Ω	I _{SIG} = 5.0mA	V _{PP} = +40V V _{NN} = -160V
		-	25	-	22	27	-	32		I _{SIG} = 200mA	
		-	25	-	22	27	-	30		I _{SIG} = 5.0mA	V _{PP} = +100V V _{NN} = -100V
		-	18	-	18	24	-	27		I _{SIG} = 200mA	
		-	23	-	20	25	-	30		I _{SIG} = 5.0mA	V _{PP} = +160V V _{NN} = -40V
		-	22	-	16	25	-	27		I _{SIG} = 200mA	
ΔR _{ONS}	Small signal switch ON-resistance matching	-	20	-	5.0	20	-	20	%	I _{SIG} = 5.0mA, V _{PP} = +100V, V _{NN} = -100V	
R _{ONL}	Large signal switch ON-resistance	-	-	-	15	-	-	-	Ω	V _{SIG} = V _{PP} -10V, I _{SIG} = 1.0A	
R _{INT}	Value of output bleed resistor	-	-	35	50	65	-	-	KΩ	Output Switch to RGND I _{RINT} = 0.5mA	
I _{SOL}	Switch off leakage per switch	-	5.0	-	1.0	10	-	15	μA	V _{SIG} = V _{PP} -10V and V _{NN} +10V	
V _{OS}	DC offset switch off	-	50	-	-	50	-	50	mV	No Load, RGND = 0V	
	DC offset switch on	-	50	-	-	50	-	50	mV		
I _{PPQ}	Quiescent V _{PP} supply current	-	-	-	10	50	-	-	μA	All switches off	
I _{NNQ}	Quiescent V _{NN} supply current	-	-	-	-10	-50	-	-	μA	All switches off	
I _{PPQ}	Quiescent V _{PP} supply current	-	-	-	10	50	-	-	μA	All switches on, I _{SW} = 5.0mA	
I _{NNQ}	Quiescent V _{NN} supply current	-	-	-	-10	-50	-	-	μA	All switches on, I _{SW} = 5.0mA	
I _{SW}	Switch output peak current	-	2.0	-	-	2.0	-	2.0	A	V _{SIG} duty cycle < 0.1% pulse width ≤ 1.0μs	
f _{SW}	Output switching frequency	-	-	-	-	50	-	-	kHz	Duty cycle = 50%	
I _{PP}	Average V _{PP} supply current	-	5.2	-	-	5.6	-	6.4	mA	V _{PP} = +40V V _{NN} = -160V	All output switches are turning on and off at 50kHz with no load.
		-	3.2	-	-	4.5	-	4.5		V _{PP} = +100V V _{NN} = -100V	
		-	3.2	-	-	4.0	-	4.5		V _{PP} = +160V V _{NN} = -40V	
I _{NN}	Average V _{NN} supply current	-	5.2	-	-	5.6	-	6.4	mA	V _{PP} = +40V V _{NN} = -160V	All output switches are turning on and off at 50kHz with no load.
		-	3.2	-	-	4.0	-	4.5		V _{PP} = +100V V _{NN} = -100V	
		-	3.2	-	-	4.0	-	4.5		V _{PP} = +160V V _{NN} = -40V	
I _{DD}	Average V _{DD} supply current	-	2.0	-	-	2.0	-	2.0	mA	f _{CLK} = 5.0MHz, V _{DD} = 5.0V	
I _{DDQ}	Quiescent V _{DD} supply current	-	10	-	-	10	-	10	μA	All logic inputs are static	
I _{SOR}	Data out source current	0.45	-	0.45	0.70	-	0.40	-	mA	V _{OUT} = V _{DD} - 0.7V	
I _{SINK}	Data out sink current	0.45	-	0.45	0.70	-	0.40	-	mA	V _{OUT} = 0.7V	
C _{IN}	Logic input capacitance	-	10	-	-	10	-	10	pF	---	

AC Electrical Characteristics

(over recommended operating conditions, $V_{DD} = 5.0V$, $t_R = t_F \leq 5.0ns$, 50% duty cycle, $C_{LOAD} = 20pF$, unless otherwise noted)

Sym	Parameter	0°C		+25°C			+70°C		Units	Conditions
		Min	Max	Min	Typ	Max	Min	Max		
t_{SD}	Set up time before \overline{LE} rises	25	-	25	-	-	25	-	ns	---
t_{WLE}	Time width of \overline{LE}	12	-	-	12	-	12	-	ns	$V_{DD} = 5.0V$
t_{DO}	Clock delay time to data out	15	40	15	30	40	15	40	ns	$V_{DD} = 5.0V$
t_{WCLR}	Time width of CLR	55	-	55	-	-	55	-	ns	---
t_{SU}	Set up time data to clock	7.0	-	-	7.0	-	7.0	-	ns	$V_{DD} = 5.0V$
t_H	Hold time data from clock	2.0	-	2.0	-	-	2.0	-	ns	---
f_{CLK}	Clock frequency	-	20	-	-	20	-	20	MHz	50% duty cycle, $f_{DATA} = f_{CLK}/2$
t_{R}, t_{F}	Clock rise and fall times	-	50	-	-	50	-	50	ns	----
T_{ON}	Turn on time	-	5.0	-	-	5.0	-	5.0	μs	$V_{SIG} = V_{PP} - 10V$, $R_{LOAD} = 10k\Omega$
T_{OFF}	Turn off time	-	5.0	-	-	5.0	-	5.0	μs	$V_{SIG} = V_{PP} - 10V$, $R_{LOAD} = 10k\Omega$
dv/dt	Maximum V_{SIG} slew rate	-	20	-	-	20	-	20	v/ns	$V_{PP} = +40V$, $V_{NN} = -160V$
		-	20	-	-	20	-	20		$V_{PP} = +100V$, $V_{NN} = -100V$
		-	20	-	-	20	-	20		$V_{PP} = +160V$, $V_{NN} = -40V$
K_O	Off isolation	-30	-	-30	-33	-	-30	-	dB	$f = 5.0MHz$, $1.0k\Omega//15pF$ load
		-58	-	-58	-	-	-58	-		$f = 5.0MHz$, 50Ω load
K_{CR}	Switch crosstalk	-60	-	-60	-70	-	-60	-	dB	$f = 5.0MHz$, 50Ω load
I_{ID}	Output switch isolation diode current	-	300	-	-	300	-	300	mA	300ns pulse width, 2.0% duty cycle
$C_{SG(OFF)}$	Off capacitance SW to GND	5.0	17	5.0	12	17	5.0	17	pF	0V, $f = 1.0MHz$
$C_{SG(ON)}$	On capacitance SW to GND	25	50	25	38	50	25	50	pF	0V, $f = 1.0MHz$
$+V_{SPK}$	Output voltage spike	-	-	-	-	150	-	-	mV	$V_{PP} = +40V$, $V_{NN} = -160V$, $R_{LOAD} = 50\Omega$
$-V_{SPK}$		-	-	-	-	150	-	-		
$+V_{SPK}$		-	-	-	-	150	-	-		$V_{PP} = +100V$, $V_{NN} = -100V$, $R_{LOAD} = 50\Omega$
$-V_{SPK}$		-	-	-	-	150	-	-		
$+V_{SPK}$		-	-	-	-	150	-	-		$V_{PP} = +160V$, $V_{NN} = -40V$, $R_{LOAD} = 50\Omega$
$-V_{SPK}$		-	-	-	-	150	-	-		

HV2733 Test Circuits



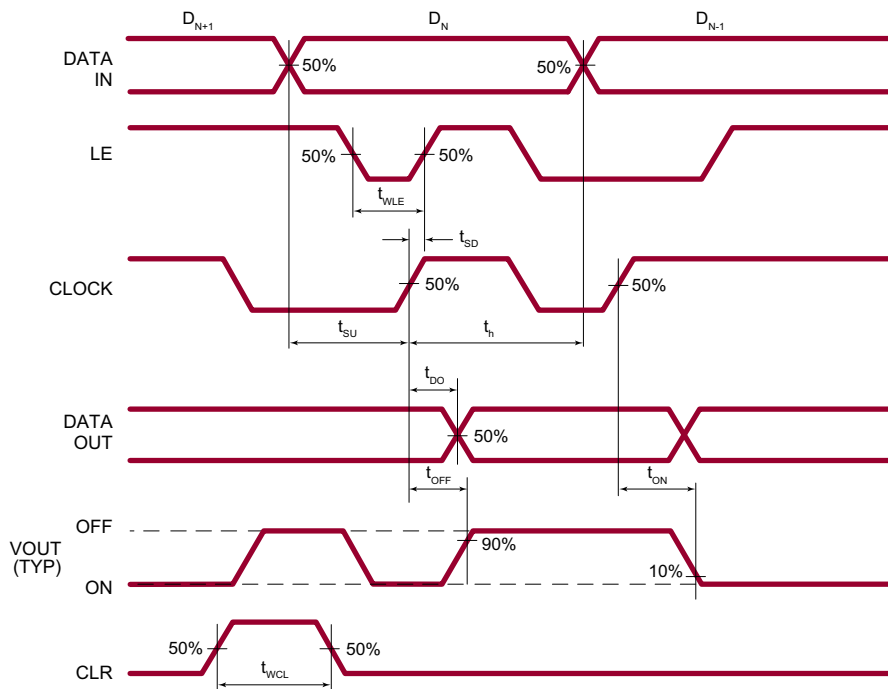
Truth Table

D0	D1	D2	D3	D4	D5	D6	D7	\overline{LE}	CLR	Y0	Y1	Y2	Y3	Y4	Y5	Y6	Y7
L	-	-	-	-	-	-	-	L	L	$\overline{SW0}$	-	-	-	-	-	-	-
H	-	-	-	-	-	-	-	L	L	SW0	-	-	-	-	-	-	-
-	L	-	-	-	-	-	-	L	L	-	$\overline{SW1}$	-	-	-	-	-	-
-	H	-	-	-	-	-	-	L	L	-	SW1	-	-	-	-	-	-
-	-	L	-	-	-	-	-	L	L	-	-	$\overline{SW2}$	-	-	-	-	-
-	-	H	-	-	-	-	-	L	L	-	-	SW2	-	-	-	-	-
-	-	-	L	-	-	-	-	L	L	-	-	-	$\overline{SW3}$	-	-	-	-
-	-	-	H	-	-	-	-	L	L	-	-	-	SW3	-	-	-	-
-	-	-	-	L	-	-	-	L	L	-	-	-	-	$\overline{SW4}$	-	-	-
-	-	-	-	H	-	-	-	L	L	-	-	-	-	SW4	-	-	-
-	-	-	-	-	L	-	-	L	L	-	-	-	-	-	$\overline{SW5}$	-	-
-	-	-	-	-	H	-	-	L	L	-	-	-	-	-	SW5	-	-
-	-	-	-	-	-	L	-	L	L	-	-	-	-	-	-	$\overline{SW6}$	-
-	-	-	-	-	-	H	-	L	L	-	-	-	-	-	-	SW6	-
-	-	-	-	-	-	-	L	L	L	-	-	-	-	-	-	-	$\overline{SW7}$
-	-	-	-	-	-	-	H	L	L	-	-	-	-	-	-	-	SW7
X	X	X	X	X	X	X	X	H	L	HOLD PREVIOUS STATE							
X	X	X	X	X	X	X	X	X	H	$\overline{SW0}$	$\overline{SW1}$	$\overline{SW2}$	$\overline{SW3}$	$\overline{SW4}$	$\overline{SW5}$	$\overline{SW6}$	$\overline{SW7}$

Notes:

1. Serial data is clocked in on the L to H transition of the CLK.
2. All switches go to a state retaining their latched condition at the rising edge of \overline{LE} . When \overline{LE} is low the shift registers data flow through the latch.
3. D_{OUT} is high when data in the shift register 7 is high.
4. Shift registers clocking has no effect on the switch states if \overline{LE} is high.
5. The CLR clear input overrides all other inputs.

Logic Timing Waveforms



Pin Configuration 48-Lead LQFP (FG)

Pin #	Function
1	SW0
2	Y0
3	$\overline{\text{SW0}}$
4	NC
5	SW1
6	Y1
7	$\overline{\text{SW1}}$
8	NC
9	SW2
10	Y2
11	$\overline{\text{SW2}}$
12	NC

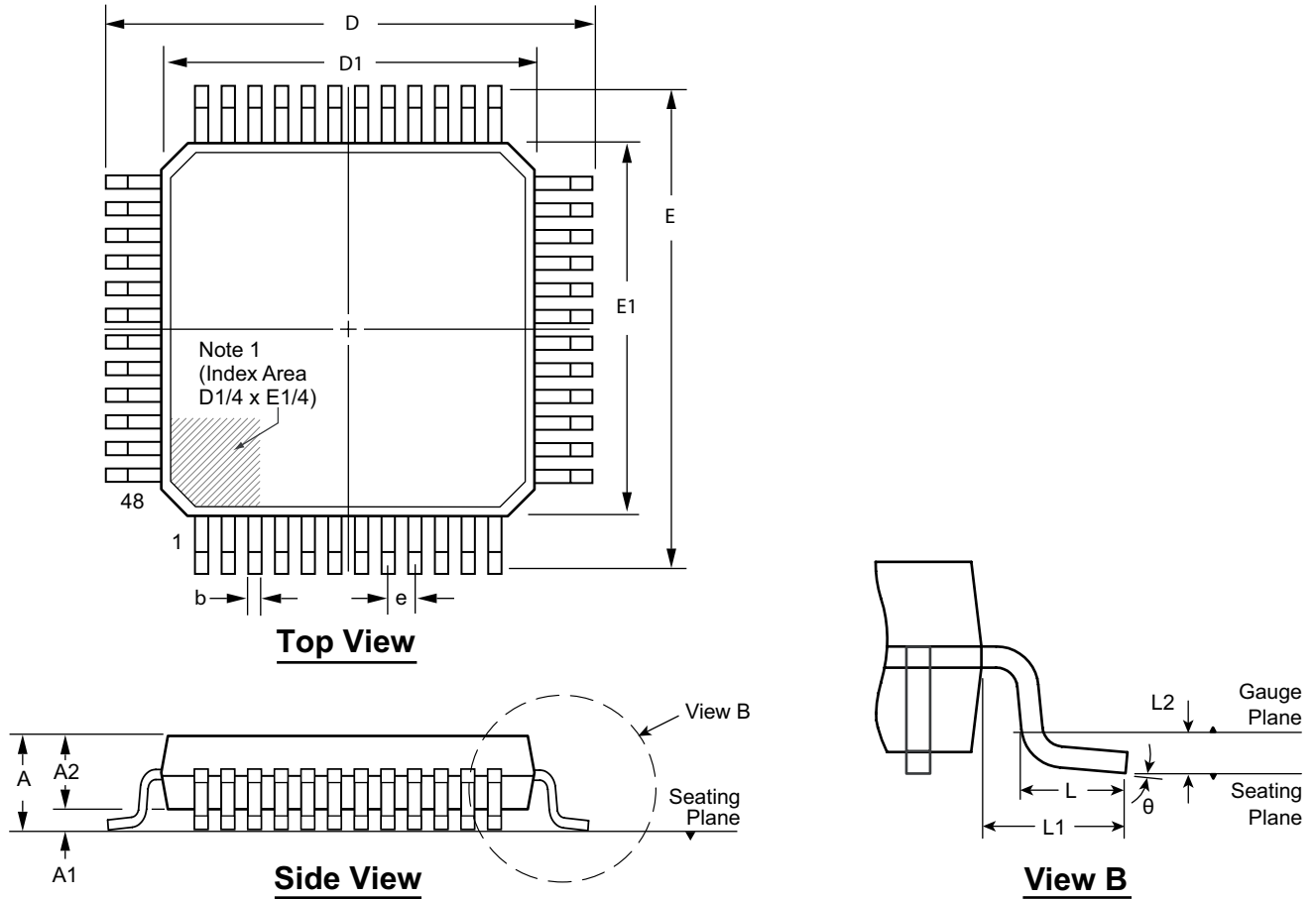
Pin #	Function
13	SW3
14	Y3
15	$\overline{\text{SW3}}$
16	NC
17	VNN
18	NC
19	NC
20	VPP
21	NC
22	$\overline{\text{SW4}}$
23	Y4
24	SW4

Pin #	Function
25	NC
26	$\overline{\text{SW5}}$
27	Y5
28	SW5
29	NC
30	$\overline{\text{SW6}}$
31	Y6
32	SW6
33	NC
34	$\overline{\text{SW7}}$
35	Y7
36	SW7

Pin #	Function
37	RGND
38	GND
39	VDD
40	DOUT
41	NC
42	NC
43	NC
44	CLR
45	$\overline{\text{LE}}$
46	CLK
47	DIN
48	RGND

48-Lead LQFP Package Outline (FG)

7.00x7.00mm body, 1.60mm height (max), 0.50mm pitch



Note:
 1. A Pin 1 identifier must be located in the index area indicated. The Pin 1 identifier can be: a molded mark/identifier; an embedded metal marker; or a printed indicator.

Symbol	A	A1	A2	b	D	D1	E	E1	e	L	L1	L2	θ	
Dimension (mm)	MIN	1.40*	0.05	1.35	0.17	8.80*	6.80*	8.80*	6.80*	0.50 BSC	1.00 REF	0.25 BSC	0°	
	NOM	-	-	1.40	0.22	9.00	7.00	9.00	7.00				0.60	3.5°
	MAX	1.60	0.15	1.45	0.27	9.20*	7.20*	9.20*	7.20*				0.75	7°

JEDEC Registration MS-026, Variation BBC, Issue D, Jan. 2001.
 * This dimension is not specified in the JEDEC drawing.

Drawings are not to scale.
Supertex Doc. #: DSPD-48LQFPFG Version, D041309.

(The package drawing(s) in this data sheet may not reflect the most current specifications. For the latest package outline information go to <http://www.supertex.com/packaging.html>.)

Supertex inc. does not recommend the use of its products in life support applications, and will not knowingly sell them for use in such applications unless it receives an adequate "product liability indemnification insurance agreement." **Supertex inc.** does not assume responsibility for use of devices described, and limits its liability to the replacement of the devices determined defective due to workmanship. No responsibility is assumed for possible omissions and inaccuracies. Circuitry and specifications are subject to change without notice. For the latest product specifications refer to the **Supertex inc.** (website: <http://www.supertex.com>)