



Chipsmall Limited consists of a professional team with an average of over 10 year of expertise in the distribution of electronic components. Based in Hongkong, we have already established firm and mutual-benefit business relationships with customers from,Europe,America and south Asia,supplying obsolete and hard-to-find components to meet their specific needs.

With the principle of “Quality Parts,Customers Priority,Honest Operation,and Considerate Service”,our business mainly focus on the distribution of electronic components. Line cards we deal with include Microchip,ALPS,ROHM,Xilinx,Pulse,ON,Everlight and Freescale. Main products comprise IC,Modules,Potentiometer,IC Socket,Relay,Connector.Our parts cover such applications as commercial,industrial, and automotives areas.

We are looking forward to setting up business relationship with you and hope to provide you with the best service and solution. Let us make a better world for our industry!



Contact us

Tel: +86-755-8981 8866 Fax: +86-755-8427 6832

Email & Skype: info@chipsmall.com Web: www.chipsmall.com

Address: A1208, Overseas Decoration Building, #122 Zhenhua RD., Futian, Shenzhen, China



Low Harmonic Distortion, 24-Channel SPST High Voltage Analog Switch

Features

- 24 Channels of high voltage analog switch
- 3.3 or 5.0V CMOS input logic level
- 24 Channel SPST configuration
- 20 MHz data shift clock frequency
- HVCMOS technology for high performance
- Very low quiescent power dissipation-10 μ A
- Low parasitic capacitance
- DC to 50 MHz analog signal frequency
- -60dB typical OFF-isolation at 5.0 MHz
- CMOS logic circuitry for low power
- Excellent noise immunity
- Cascadable serial data register with latches
- Flexible operating supply voltages
- Integrated bleed resistors on outputs (HV2762 only)

Applications

- Medical ultrasound imaging
- Piezoelectric transducer drivers
- Inkjet printer heads
- Optical MEMS modules

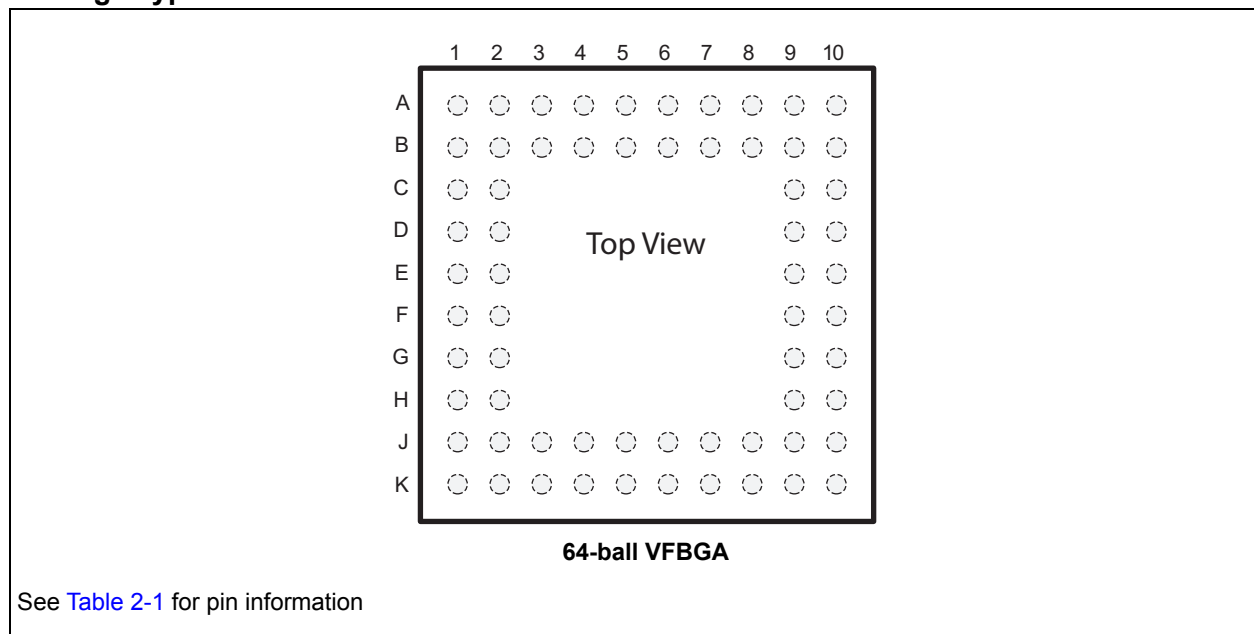
Description

HV2662/HV2762 are low-charge injection, 24-channel, high-voltage analog switch integrated circuits (ICs). These ICs excel in applications requiring high-voltage switching controlled by low-voltage control signals such as medical ultrasound imaging, piezoelectric transducer driver, and printers. HV2762 provides integrated bleed resistors that eliminate voltage build-up on capacitive loads such as piezoelectric transducers. HV2662 does not have integrated bleed resistors.

HV2662/HV2762 shift input data into a 24-bit shift register that can then be retained in a 24-bit latch. To reduce any possible clock feed through noise, the latch-enable bar should be left high until all bits are clocked in during the rising edge of the clock. Using High Voltage CMOS technology, these ICs combine high-voltage, bilateral DMOS switches and low-power CMOS logic to provide efficient control of high voltage analog signals.

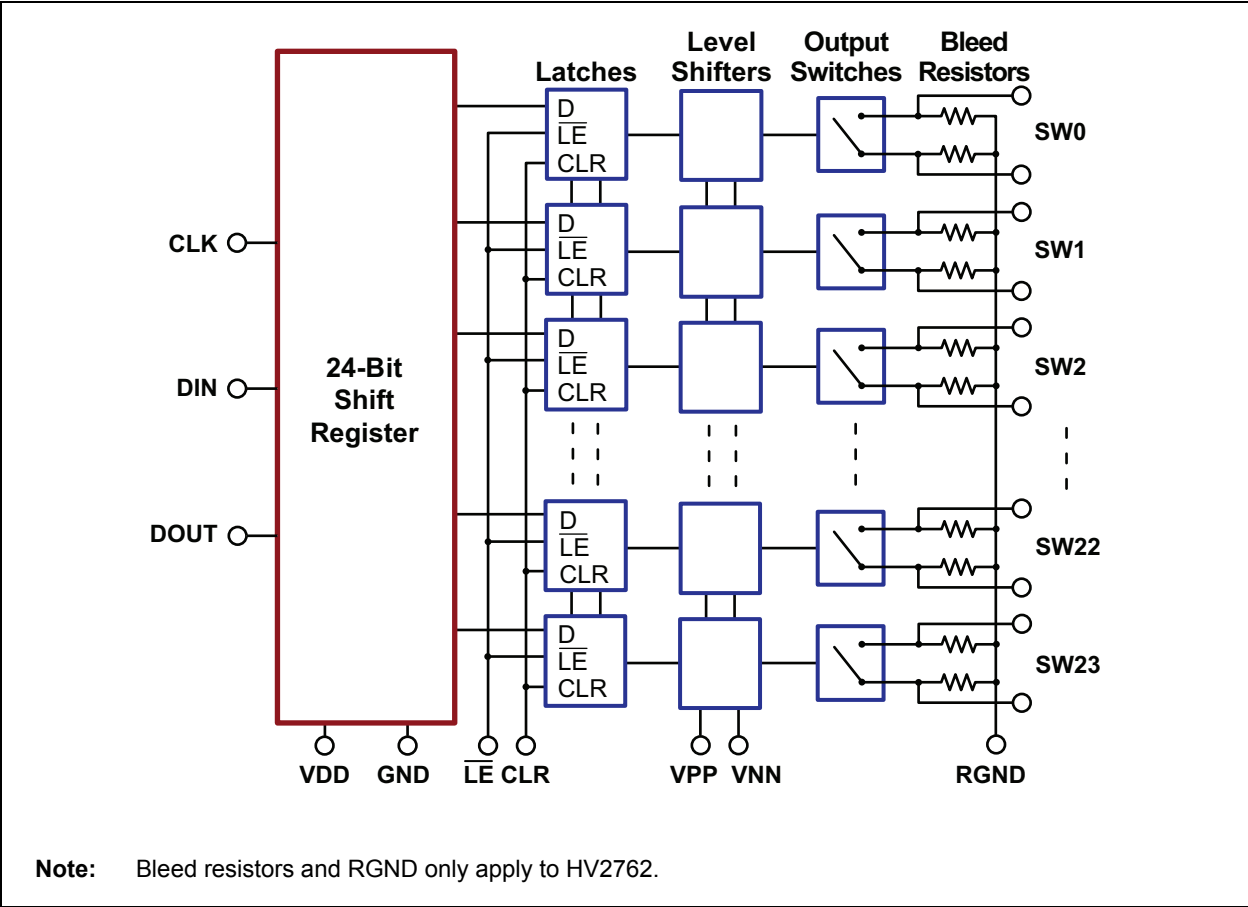
The device is suitable for various combinations of high voltage supplies, e.g., V_{PP}/V_{NN} : +40V/-160V, +100V/-100V, and +160V/-40V.

Package Types



HV2662 / HV2762

Block Diagram



1.0 ELECTRICAL CHARACTERISTICS

ABSOLUTE MAXIMUM RATINGS†

V_{DD} logic supply	-0.50 to +6.5V
$V_{PP} - V_{NN}$ differential supply	220V
V_{PP} positive supply	-0.5 to $V_{NN} + 200V$
V_{NN} negative supply	+0.5 to -200V
Logic input voltage	-0.5V to $V_{DD} + 0.3V$
Analog signal range	V_{NN} to V_{PP}
Peak analog signal current/channel	2.0A
Storage temperature	-65°C to +150°C
Power dissipation	1.0W

† **Notice:** Stresses above those listed under “Maximum Ratings” may cause permanent damage to the device. This is a stress rating only and functional operation of the device at those or any other conditions above those indicated in the operational listings of this specification is not implied. Exposure to maximum rating conditions for extended periods may affect device reliability.

RECOMMENDED OPERATING CONDITIONS (Notes 1– 3)

Symbol	Parameter	Value
V_{DD}	Logic power supply voltage	3.0V to 5.5V (Note 2)
V_{PP}	Positive high voltage supply	+40V to $V_{NN} + 200V$ (Note 2)
V_{NN}	Negative high voltage supply	-40V to -160V (Note 2)
V_{IH}	High level input voltage	$0.9V_{DD}$ to V_{DD}
V_{IL}	Low level input voltage	0V to $0.1 V_{DD}$
V_{SIG}	Analog signal voltage peak-to-peak	$V_{NN} + 10V$ to $V_{PP} - 10V$ (Note 3)
T_A	Operating free air temperature	0°C to 70°C

- Note 1:** Power up/down sequence is arbitrary except GND must be powered-up first and powered-down last.
2: Rise and fall times of power supplies V_{DD} , V_{PP} , and V_{NN} should not be less than 1.0msec.
3: V_{SIG} must be $V_{NN} \leq V_{SIG} \leq V_{PP}$ or floating during power up/down transition.

DC ELECTRICAL CHARACTERISTICS

Electrical Specifications: Over recommended operating conditions unless otherwise specified.
 See test circuits [Figure 3-2](#)

Parameter	Symbol	0°C		25°C			70°C		Units	Conditions
		Min	Max	Min	Typ	Max	Min	Max		
Small signal switch ON-resistance	R_{ONS}	-	-	-	26	-	-	-	Ω	$I_{SIG} = 5.0mA$, $V_{PP} = +40V$, $V_{NN} = -160V$
		-	-	-	22	-	-	-		
		-	-	-	22	-	-	-		$I_{SIG} = 5.0mA$, $V_{PP} = +100V$, $V_{NN} = -100V$
		-	-	-	18	-	-	-		
		-	-	-	20	-	-	-		$I_{SIG} = 5.0mA$, $V_{PP} = +160V$, $V_{NN} = -40V$
		-	-	-	16	-	-	-		
Small signal switch ON-resistance matching	ΔR_{ONS}	-	20	-	5.0	20	-	20	%	$I_{SIG} = 5.0mA$, $V_{PP} = +100V$, $V_{NN} = -100V$
Large signal switch ON-resistance	R_{ONL}	-	-	-	30	-	-	-	Ω	$V_{SIG} = V_{PP} - 10V$, $I_{SIG} = 1A$ (Note 1)
Output-switch shunt resistance (HV2762 only)	R_{INT}	-	-	20	35	50	-	-	K Ω	Output switch to R_{GND} , $I_{RINT} = 0.5 mA$

HV2662 / HV2762

DC ELECTRICAL CHARACTERISTICS (CONTINUED)

Electrical Specifications: Over recommended operating conditions unless otherwise specified. See test circuits Figure 3-2											
Parameter	Symbol	0°C		25°C			70°C		Units	Conditions	
		Min	Max	Min	Typ	Max	Min	Max			
Switch OFF-leakage per switch	I_{SOL}	-	5.0	-	1.0	10	-	15	μA	$V_{SIG} = V_{PP} - 10V, V_{NN} + 10V$	
DC offset switch OFF	V_{OS}	-	300	-	100	300	-	300	mV	No load for HV2762. $R_{LOAD} = 100\text{ k}\Omega$ for HV2662	
DC offset switch ON		-	500	-	100	500	-	500			
Quiescent V_{PP} supply current	I_{PPQ}	-	-	-	10	50	-	-	μA	All switches OFF	
Quiescent V_{NN} supply current	I_{NNQ}	-	-	-	-10	-50	-	-			
Quiescent V_{PP} supply current	I_{PPQ}	-	-	-	10	50	-	-	μA	All switches ON, $I_{SW} = 5.0\text{ mA}$	
Quiescent V_{NN} supply current	I_{NNQ}	-	-	-	-10	-50	-	-			
Switch output peak current	I_{SW}	-	-	-	2.0	1.3	-	-	A	V_{SIG} duty cycle < 0.1% (Note 1)	
Output switching frequency	f_{SW}	-	-	-	-	50	-	-	kHz	Duty cycle = 50% (Note 1)	
Average V_{PP} supply current	I_{PP}	-	4.0	-	-	4.5	-	5.0	mA	$V_{PP} = +40V,$ $V_{NN} = -160V$	All output switches are turning ON and OFF at 50 kHz with no load
		-	4.0	-	-	4.5	-	5.0		$V_{PP} = +100V,$ $V_{NN} = -100V$	
		-	4.0	-	-	4.5	-	5.0		$V_{PP} = +160V,$ $V_{NN} = -40V$	
Average V_{NN} supply current	I_{NN}	-	4.0	-	-	4.5	-	5.0	mA	$V_{PP} = +40V,$ $V_{NN} = -160V$	All output switches are turning ON and OFF at 50 kHz with no load
		-	4.0	-	-	4.5	-	5.0		$V_{PP} = +100V,$ $V_{NN} = -100V$	
		-	4.0	-	-	4.5	-	5.0		$V_{PP} = +160V,$ $V_{NN} = -40V$	
Average V_{DD} supply current	I_{DD}	-	8.0	-	-	8.0	-	8.0	mA	$f_{CLK} = 5.0\text{ MHz}, V_{DD} = 5.0V$	
Quiescent V_{DD} supply current	I_{DDQ}	-	10	-	-	10	-	10	μA	All logic inputs are static	
Data out source current	I_{SOR}	0.45	-	0.45	0.70	-	0.40	-	mA	$V_{OUT} = V_{DD} - 0.7V$	
Data out sink current	I_{SINK}	0.45	-	0.45	0.70	-	0.40	-	mA	$V_{OUT} = 0.7V$	
Logic input capacitance	C_{IN}	-	10	-	-	10	-	10	pF	(Note 2)	

Note 1: Specification is obtained by characterization and is not 100% tested.

2: Design guidance only

AC ELECTRICAL CHARACTERISTICS

Electrical Specifications: Over recommended operating conditions unless otherwise specified. See test circuits Figure 3-2										
Parameter	Symbol	0°C		25°C			70°C		Units	Conditions
		Min	Max	Min	Typ	Max	Min	Max		
Set up time before LE rises	t_{SD}	25	-	25	-	-	25	-	ns	(Note 1)
Time width of LE	t_{WLE}	56	-	56	-	-	56	-	ns	$V_{DD} = 3.0V$ (Note 1)
		12	-	12	-	-	12	-		$V_{DD} = 5.0V$ (Note 1)
Clock delay time to data out	t_{DO}	9.0	40	9.0	-	40	9.0	40	ns	$V_{DD} = 3.0V$ (Note 1)
		8.0	30	8.0	-	30	8.0	30		$V_{DD} = 5.0V$ (Note 1)
Time width of CLR	t_{WCLR}	55	-	55	-	-	55	-	ns	(Note 1)
Set up time data to clock	t_{SU}	21	-	21	-	-	21	-	ns	$V_{DD} = 3.0V$ (Note 1)
		7.0	-	7.0	-	-	7.0	-		$V_{DD} = 5.0V$ (Note 1)
Hold time data from clock	t_H	5.0	-	5.0	-	-	5.0	-	ns	$V_{DD} = 3.0V$ (Note 1)
		5.0	-	5.0	-	-	5.0	-		$V_{DD} = 5.0V$ (Note 1)
Clock frequency	f_{CLK}	-	8	-	-	8	-	8	MHz	$V_{DD} = 3.0V$
		-	20	-	-	20	-	20		$V_{DD} = 5.0V$ (Note 1)
Clock rise and fall times	t_R, t_F	-	50	-	-	50	-	50	ns	(Note 1)
Turn ON time	t_{ON}	-	5.0	-	-	5.0	-	5.0	μs	$V_{SIG} = V_{PP} - 10V$, $R_{LOAD} = 10k\Omega$
Turn OFF time	t_{OFF}	-	5.0	-	-	5.0	-	5.0		
Maximum V_{SIG} slew rate	dv/dt	-	20	-	-	20	-	20	V/ns	$V_{PP} = +40V, V_{NN} = -160V$ (Note 1)
		-	20	-	-	20	-	20		$V_{PP} = +100V, V_{NN} = -100V$ (Note 1)
		-	20	-	-	20	-	20		$V_{PP} = +160V, V_{NN} = -40V$ (Note 1)
OFF isolation	K_O	-30	-	-30	-33	-	-30	-	dB	$f = 5.0$ MHz, 1.0 k Ω /15 pF load (Note 1)
		-58	-	-58	-60	-	-58	-		$f = 5.0$ MHz, 50 Ω load (Note 1)
Switch crosstalk	K_{CR}	-60	-	-60	-70	-	-60	-	dB	$f = 5.0$ MHz, 50 Ω load (Note 1)
Output switch isolation diode current	I_{ID}	-	300	-	-	300	-	300	mA	300 ns pulse width, 2.0% duty cycle (Note 1)
OFF capacitance SW to GND	$C_{SG(OFF)}$	-	14	-	9.0	14	-	14	pF	$V_{SIG} = 0V, f = 1.0$ MHz (Note 1)
ON capacitance SW to GND	$C_{SG(ON)}$	-	17	-	12	17	-	17		
Output voltage spike (per switch)	+V _{SPK}	-	-	-	-	150	-	-	mV	$V_{PP} = +40V, V_{NN} = -160V$ $R_{LOAD} = 50\Omega$ (Note 1)
	-V _{SPK}	-	-	-	-	150	-	-		
	+V _{SPK}	-	-	-	-	150	-	-		$V_{PP} = +100V, V_{NN} = -100V$ $R_{LOAD} = 50\Omega$ (Note 1)
	-V _{SPK}	-	-	-	-	150	-	-		
	+V _{SPK}	-	-	-	-	150	-	-		$V_{PP} = +160V, V_{NN} = -40V$ $R_{LOAD} = 50\Omega$ (Note 1)
	-V _{SPK}	-	-	-	-	150	-	-		
Charge injection (per switch)	QC	-	-	-	820	-	-	-	pC	$V_{PP} = +40V, V_{NN} = -160V$ (Note 1)
		-	-	-	600	-	-	-		$V_{PP} = +100V, V_{NN} = -100V$ (Note 1)
		-	-	-	350	-	-	-		$V_{PP} = +160V, V_{NN} = -40V$ (Note 1)

Note 1: Specification is obtained by characterization and is not 100% tested.

HV2662 / HV2762

TEMPERATURE SPECIFICATIONS

Electrical Specifications: Unless otherwise specified, for all specifications $T_A = T_J = +25^\circ\text{C}$						
Parameter	Symbol	Min	Typ	Max	Units	Conditions
Temperature Ranges						
Storage Temperature	T_A	-65	–	150	$^\circ\text{C}$	
Package Thermal Resistances						
Thermal Resistance, 64-Ball VFBGA	θ_{ja}	–	36	–	$^\circ\text{C/W}$	

2.0 PIN DESCRIPTION

The locations of the balls are listed in [Package Types](#).

TABLE 2-1: BALL DESCRIPTION 64-BALL VFBGA

Pin #	HV2662	HV2762	Description
A1	SW22B	SW22B	Analog switch 22 terminal B
A2	V _{NN}	V _{NN}	Negative supply voltage
A3	SW21B	SW21B	Analog switch 21 terminal B
A4	SW20B	SW20B	Analog switch 20 terminal B
A5	SW19B	SW19B	Analog switch 19 terminal B
A6	SW18B	SW18B	Analog switch 18 terminal B
A7	SW17B	SW17B	Analog switch 17 terminal B
A8	SW16B	SW16B	Analog switch 16 terminal B
A9	SW15B	SW15B	Analog switch 15 terminal B
A10	SW15A	SW15A	Analog switch 15 terminal A
B1	SW23B	SW23B	Analog switch 23 terminal B
B2	SW23A	SW23A	Analog switch 23 terminal A
B3	SW22A	SW22A	Analog switch 22 terminal A
B4	SW21A	SW21A	Analog switch 21 terminal A
B5	SW20A	SW20A	Analog switch 20 terminal A
B6	SW19A	SW19A	Analog switch 19 terminal A
B7	SW18A	SW18A	Analog switch 18 terminal A
B8	SW17A	SW17A	Analog switch 17 terminal A
B9	SW16A	SW16A	Analog switch 16 terminal A
B10	SW14B	SW14B	Analog switch 14 terminal B
C1	NC	NC	No connect
C2	V _{PP}	V _{PP}	Positive supply voltage
C9	SW14A	SW14A	Analog switch 14 terminal A
C10	SW13B	SW13B	Analog switch 13 terminal B
D1	CLR	CLR	Latch clear logic input
D2	NC	RGND	No connect/ Ground for bleed resistor
D9	V _{NN}	V _{NN}	Negative supply voltage
D10	SW13A	SW13A	Analog switch 13 terminal A
E1	$\overline{\text{LE}}$	$\overline{\text{LE}}$	Latch-enable logic input, low active
E2	CLK	CLK	Clock logic input for shift register
E9	SW12B	SW12B	Analog switch 12 terminal B
E10	SW12A	SW12A	Analog switch 12 terminal A
F1	V _{DD}	V _{DD}	Logic supply voltage
F2	GND	GND	Ground
F9	SW11B	SW11B	Analog switch 11 terminal B
F10	SW11A	SW11A	Analog switch 11 terminal A
G1	D _{IN}	D _{IN}	Data-in logic input
G2	D _{OUT}	D _{OUT}	Data-out logic output
G9	SW10B	SW10B	Analog switch 10 terminal B
G10	V _{NN}	V _{NN}	Negative supply voltage
H1	NC	RGND	No connect/ Ground for bleed resistor
H2	V _{PP}	V _{PP}	Positive supply voltage

HV2662 / HV2762

TABLE 2-1: BALL DESCRIPTION 64-BALL VFBGA (CONTINUED)

Pin #	HV2662	HV2762	Description
H9	SW10A	SW10A	Analog switch 10 terminal A
H10	SW9B	SW9B	Analog switch 9 terminal B
J1	SW0A	SW0A	Analog switch 0 terminal A
J2	SW0B	SW0B	Analog switch 0 terminal B
J3	SW1B	SW1B	Analog switch 1 terminal B
J4	SW2B	SW2B	Analog switch 2 terminal B
J5	SW3B	SW3B	Analog switch 3 terminal B
J6	SW4B	SW4B	Analog switch 4 terminal B
J7	SW5B	SW5B	Analog switch 5 terminal B
J8	SW6B	SW6B	Analog switch 6 terminal B
J9	SW7B	SW7B	Analog switch 7 terminal B
J10	SW9A	SW9A	Analog switch 9 terminal A
K1	SW1A	SW1A	Analog switch 1 terminal A
K2	V _{NN}	V _{NN}	Negative supply voltage
K3	SW2A	SW2A	Analog switch 2 terminal A
K4	SW3A	SW3A	Analog switch 3 terminal A
K5	SW4A	SW4A	Analog switch 4 terminal A
K6	SW5A	SW5A	Analog switch 5 terminal A
K7	SW6A	SW6A	Analog switch 6 terminal A
K8	SW7A	SW7A	Analog switch 7 terminal A
K9	SW8A	SW8A	Analog switch 8 terminal A
K10	SW8B	SW8B	Analog switch 8 terminal B

3.0 FUNCTIONAL DESCRIPTION

FIGURE 3-1: LOGIC TIMING WAVEFORMS

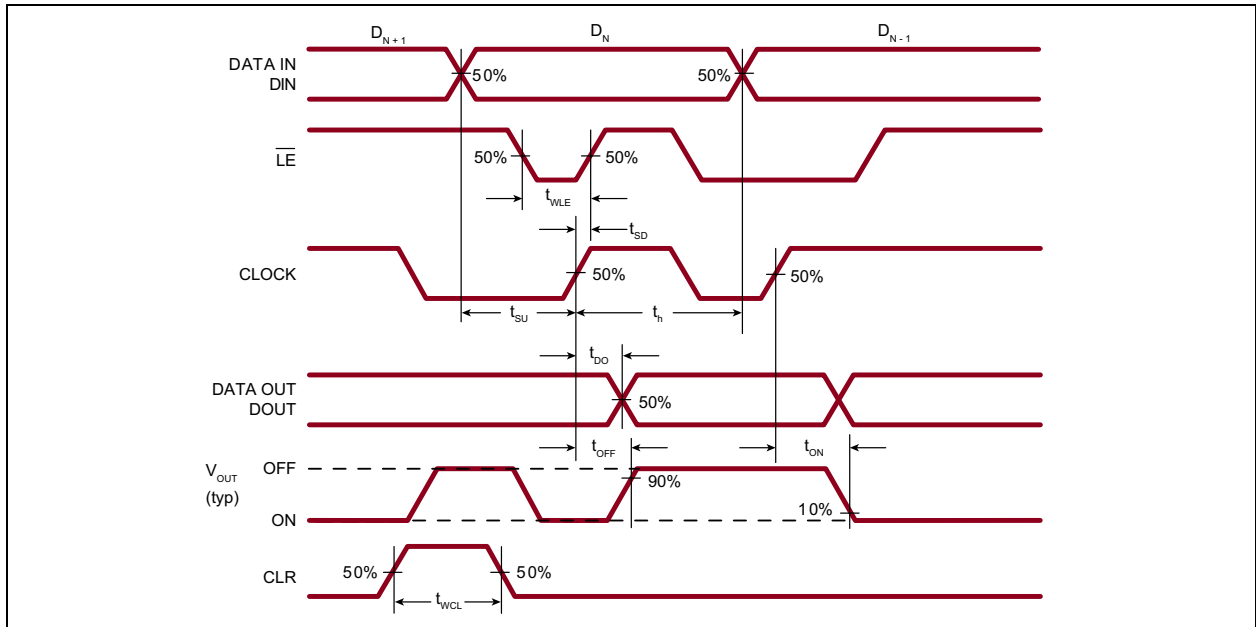


TABLE 3-1: TRUTH TABLE

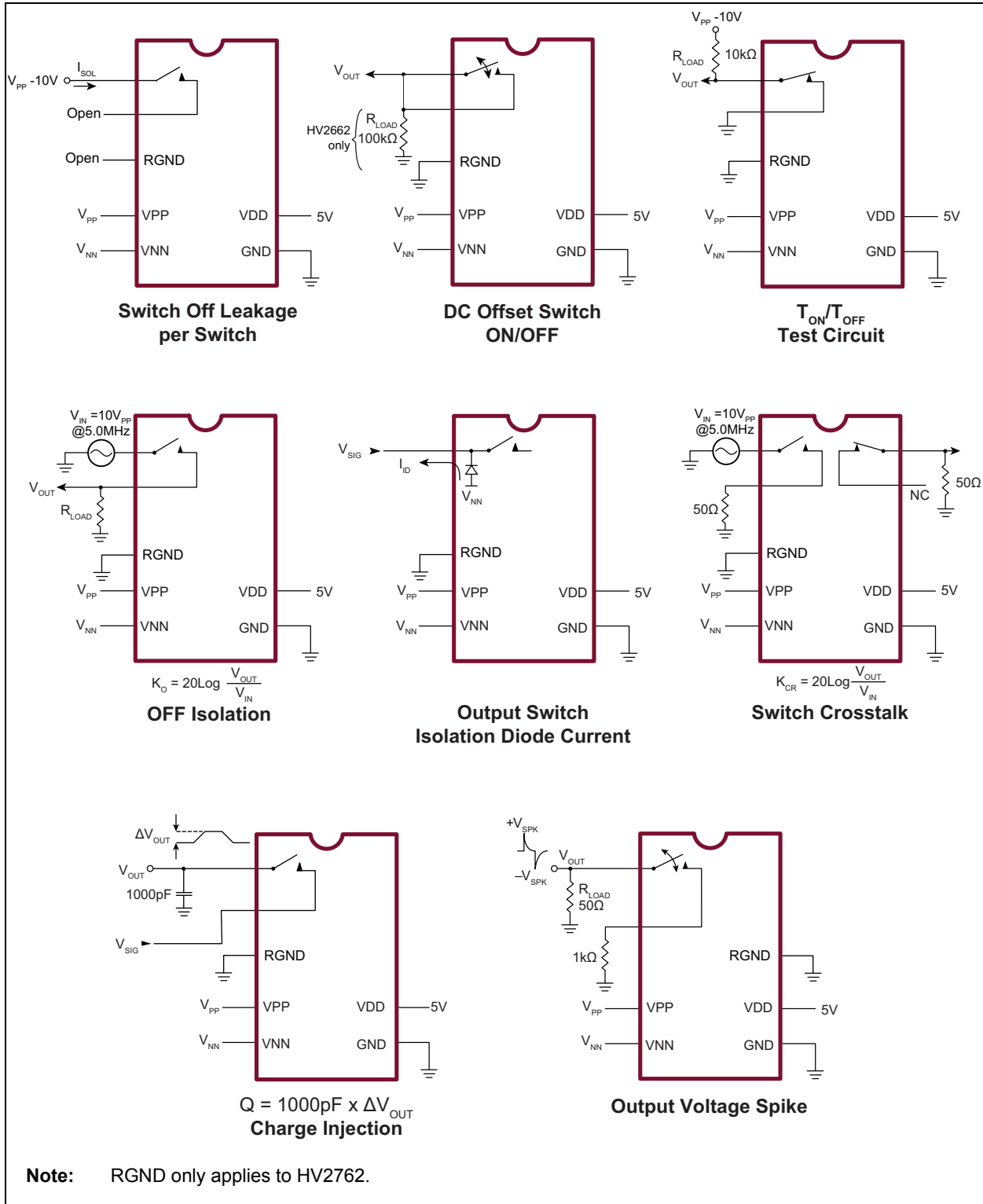
D0 ¹	D1	...	D15	D16	...	D23 ²	\overline{LE} ³	CLR ⁴	SW0 ^{5,6}	SW1	...	SW15	SW16	...	SW23
L	-		-	-		-	L	L	OFF	-		-	-		-
H	-		-	-		-	L	L	ON	-		-	-		-
-	L		-	-		-	L	L	-	OFF		-	-		-
-	H		-	-		-	L	L	-	ON		-	-		-
-	-		-	-		-	L	L	-	-		-	-		-
-	-		L	-		-	L	L	-	-		OFF	-		-
-	-		H	-		-	L	L	-	-		ON	-		-
-	-	...	-	L	...	-	L	L	-	-	...	-	OFF	...	-
-	-		-	H		-	L	L	-	-		-	ON		-
-	-		-	-		-	L	L	-	-		-	-		-
-	-		-	-		-	L	L	-	-		-	-		-
-	-		-	-		-	L	L	-	-		-	-		-
-	-		-	-		-	L	L	-	-		-	-		OFF
-	-		-	-		H	L	L	-	-		-	-		ON
X	X	X	X	X	X	X	H	L	HOLD PREVIOUS STATE						
X	X	X	X	X	X	X	X	H	ALL SWITCHES OFF						

- Note 1:** Serial data is clocked in on the L to H transition of the CLK
- 2:** DOUT is high when data in the register 23 is high.
- 3:** Shift registers clocking has no effect on the switch states if LE is high.
- 4:** The CLR clear input overrides all other inputs.
- 5:** The 24 switches operate independently.
- 6:** All 24 switches go to a state retaining their latched condition at the rising edge of \overline{LE} . When \overline{LE} is low, the shift registers data flow through the latch.

HV2662 / HV2762

3.1 Application Information

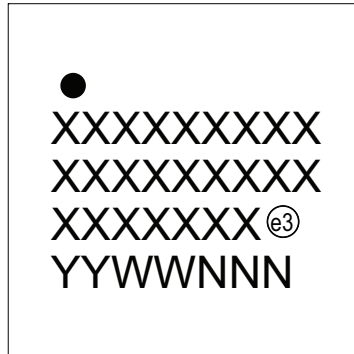
FIGURE 3-2: TEST CIRCUITS



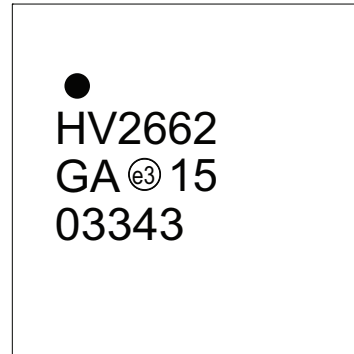
4.0 PACKAGING INFORMATION

4.1 Package Marking Information

64-Ball VFBGA



Example



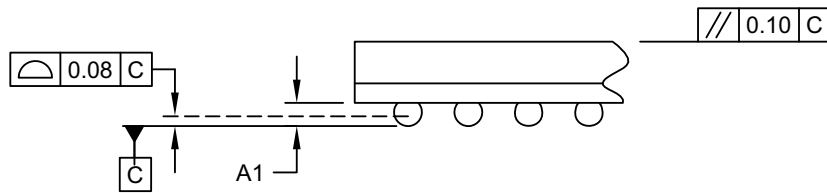
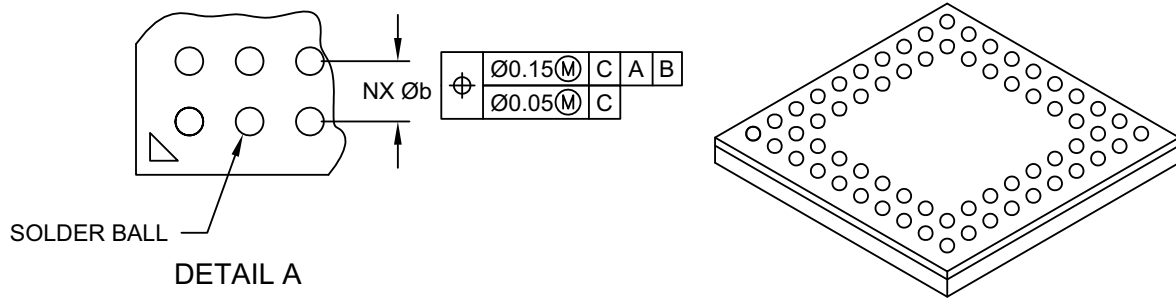
Legend:	XX...X	Product Code or Customer-specific information
	Y	Year code (last digit of calendar year)
	YY	Year code (last 2 digits of calendar year)
	WW	Week code (week of January 1 is week '01')
	NNN	Alphanumeric traceability code
	(e3)	Pb-free JEDEC® designator for Matte Tin (Sn)
	*	This package is Pb-free. The Pb-free JEDEC designator (e3) can be found on the outer packaging for this package.

Note: In the event the full Microchip part number cannot be marked on one line, it will be carried over to the next line, thus limiting the number of available characters for product code or customer-specific information. Package may or not include the corporate logo.

HV2662 / HV2762

64-Ball Very Thin Fine Pitch Ball Grid Array (GA) - 7x7x1.0 mm Body [VFBGA] Supertex Legacy

Note: For the most current package drawings, please see the Microchip Packaging Specification located at <http://www.microchip.com/packaging>



DETAIL A

		Units	MILLIMETERS		
Dimension Limits			MIN	NOM	MAX
Number of Pins	N		64		
Pitch	e		0.65 BSC		
Overall Height	A		-	-	1.00
Standoff	A1		0.16	-	0.25
Molded Cap Thickness	A3		0.45 REF		
Overall Width	E		7.00 BSC		
Overall Ball Pitch	E1		5.85 BSC		
Overall Length	D		7.00 BSC		
Overall Ball Pitch	D1		5.85 BSC		
Ball Diameter	Øb		0.25	0.30	0.35

Notes:

- Pin 1 visual index feature may vary, but must be located within the hatched area.
- Dimensioning and tolerancing per ASME Y14.5M
 BSC: Basic Dimension. Theoretically exact value shown without tolerances.
 REF: Reference Dimension, usually without tolerance, for information purposes only.

Microchip Technology Drawing C04-370-GA Rev A Sheet 2 of 2

APPENDIX A: REVISION HISTORY

Revision A (May 2016)

- Converted Supertex Docs #'s DSFP-2662 and DSFP-HV2762 to Microchip DS20005372A.
- Merged HV2662 and HV2762 into one document.
- Updated “**Product Identification System**”.
Removed parts with a package code of “LA”;
Added package “GA”.
- EOL of 64-Ball LFGA package (LB).per PCN JAON-20WQKC840.
- Added information for 64-Ball VFBGA (GA) throughout.
- Minor text changes throughout.

HV2662 / HV2762

PRODUCT IDENTIFICATION SYSTEM

To order or obtain information, e.g., on pricing or delivery, refer to the factory or the listed sales office.

<u>PART NO.</u>	<u>XX</u>	-	<u>X</u>	-	<u>X</u>
Device	Package Options		Environmental		Media Type
Device:	HV2662 = 24-Channel, HV Analog Switch HV2762 = 24-Channel, HV Analog Switch with Bleed Resistors				
Package:	GA = 64-ball VFBGA				
Environmental	G = Lead (Pb)-free/RoHS-compliant package				
Media Type:	(blank) = 120/Tray for GA package				

Examples:

a) HV2662GA-G: 64-ball VFBGA package, 120/Tray

b) HV2762GA-G: 64-ball VFBGA package, 120/Tray

Note the following details of the code protection feature on Microchip devices:

- Microchip products meet the specification contained in their particular Microchip Data Sheet.
- Microchip believes that its family of products is one of the most secure families of its kind on the market today, when used in the intended manner and under normal conditions.
- There are dishonest and possibly illegal methods used to breach the code protection feature. All of these methods, to our knowledge, require using the Microchip products in a manner outside the operating specifications contained in Microchip's Data Sheets. Most likely, the person doing so is engaged in theft of intellectual property.
- Microchip is willing to work with the customer who is concerned about the integrity of their code.
- Neither Microchip nor any other semiconductor manufacturer can guarantee the security of their code. Code protection does not mean that we are guaranteeing the product as “unbreakable.”

Code protection is constantly evolving. We at Microchip are committed to continuously improving the code protection features of our products. Attempts to break Microchip's code protection feature may be a violation of the Digital Millennium Copyright Act. If such acts allow unauthorized access to your software or other copyrighted work, you may have a right to sue for relief under that Act.

Information contained in this publication regarding device applications and the like is provided only for your convenience and may be superseded by updates. It is your responsibility to ensure that your application meets with your specifications. MICROCHIP MAKES NO REPRESENTATIONS OR WARRANTIES OF ANY KIND WHETHER EXPRESS OR IMPLIED, WRITTEN OR ORAL, STATUTORY OR OTHERWISE, RELATED TO THE INFORMATION, INCLUDING BUT NOT LIMITED TO ITS CONDITION, QUALITY, PERFORMANCE, MERCHANTABILITY OR FITNESS FOR PURPOSE. Microchip disclaims all liability arising from this information and its use. Use of Microchip devices in life support and/or safety applications is entirely at the buyer's risk, and the buyer agrees to defend, indemnify and hold harmless Microchip from any and all damages, claims, suits, or expenses resulting from such use. No licenses are conveyed, implicitly or otherwise, under any Microchip intellectual property rights unless otherwise stated.

Microchip received ISO/TS-16949:2009 certification for its worldwide headquarters, design and wafer fabrication facilities in Chandler and Tempe, Arizona; Gresham, Oregon and design centers in California and India. The Company's quality system processes and procedures are for its PIC® MCUs and dsPIC® DSCs, KEELOQ® code hopping devices, Serial EEPROMs, microperipherals, nonvolatile memory and analog products. In addition, Microchip's quality system for the design and manufacture of development systems is ISO 9001:2000 certified.

**QUALITY MANAGEMENT SYSTEM
CERTIFIED BY DNV
= ISO/TS 16949 =**

Trademarks

The Microchip name and logo, the Microchip logo, AnyRate, dsPIC, FlashFlex, flexPWR, Heldo, JukeBlox, KeeLoq, KeeLoq logo, Klear, LANCheck, LINK MD, MediaLB, MOST, MOST logo, MPLAB, OptoLyzer, PIC, PICSTART, PIC32 logo, RightTouch, SpyNIC, SST, SST Logo, SuperFlash and UNI/O are registered trademarks of Microchip Technology Incorporated in the U.S.A. and other countries.

ClockWorks, The Embedded Control Solutions Company, ETHERSYNCH, Hyper Speed Control, HyperLight Load, IntelliMOS, mTouch, Precision Edge, and QUIET-WIRE are registered trademarks of Microchip Technology Incorporated in the U.S.A.

Analog-for-the-Digital Age, Any Capacitor, AnyIn, AnyOut, BodyCom, chipKIT, chipKIT logo, CodeGuard, dsPICDEM, dsPICDEM.net, Dynamic Average Matching, DAM, ECAN, EtherGREEN, In-Circuit Serial Programming, ICSP, Inter-Chip Connectivity, JitterBlocker, KlearNet, KlearNet logo, MiWi, motorBench, MPASM, MPF, MPLAB Certified logo, MPLIB, MPLINK, MultiTRAK, NetDetach, Omniscient Code Generation, PICDEM, PICDEM.net, PICkit, PICtail, PureSilicon, RightTouch logo, REAL ICE, Ripple Blocker, Serial Quad I/O, SQL, SuperSwitcher, SuperSwitcher II, Total Endurance, TSHARC, USBCheck, VariSense, ViewSpan, WiperLock, Wireless DNA, and ZENA are trademarks of Microchip Technology Incorporated in the U.S.A. and other countries.

SQTP is a service mark of Microchip Technology Incorporated in the U.S.A.

Silicon Storage Technology is a registered trademark of Microchip Technology Inc. in other countries.

GestIC is a registered trademarks of Microchip Technology Germany II GmbH & Co. KG, a subsidiary of Microchip Technology Inc., in other countries.

All other trademarks mentioned herein are property of their respective companies.

© 2016, Microchip Technology Incorporated, Printed in the U.S.A., All Rights Reserved.

ISBN: 978-1-5224-0648-8



Worldwide Sales and Service

AMERICAS

Corporate Office
2355 West Chandler Blvd.
Chandler, AZ 85224-6199
Tel: 480-792-7200
Fax: 480-792-7277
Technical Support:
<http://www.microchip.com/support>
Web Address:
www.microchip.com

Atlanta
Duluth, GA
Tel: 678-957-9614
Fax: 678-957-1455

Austin, TX
Tel: 512-257-3370

Boston
Westborough, MA
Tel: 774-760-0087
Fax: 774-760-0088

Chicago
Itasca, IL
Tel: 630-285-0071
Fax: 630-285-0075

Cleveland
Independence, OH
Tel: 216-447-0464
Fax: 216-447-0643

Dallas
Addison, TX
Tel: 972-818-7423
Fax: 972-818-2924

Detroit
Novi, MI
Tel: 248-848-4000

Houston, TX
Tel: 281-894-5983

Indianapolis
Noblesville, IN
Tel: 317-773-8323
Fax: 317-773-5453

Los Angeles
Mission Viejo, CA
Tel: 949-462-9523
Fax: 949-462-9608

New York, NY
Tel: 631-435-6000

San Jose, CA
Tel: 408-735-9110

Canada - Toronto
Tel: 905-673-0699
Fax: 905-673-6509

ASIA/PACIFIC

Asia Pacific Office
Suites 3707-14, 37th Floor
Tower 6, The Gateway
Harbour City, Kowloon

Hong Kong
Tel: 852-2943-5100
Fax: 852-2401-3431

Australia - Sydney
Tel: 61-2-9868-6733
Fax: 61-2-9868-6755

China - Beijing
Tel: 86-10-8569-7000
Fax: 86-10-8528-2104

China - Chengdu
Tel: 86-28-8665-5511
Fax: 86-28-8665-7889

China - Chongqing
Tel: 86-23-8980-9588
Fax: 86-23-8980-9500

China - Dongguan
Tel: 86-769-8702-9880

China - Hangzhou
Tel: 86-571-8792-8115
Fax: 86-571-8792-8116

China - Hong Kong SAR
Tel: 852-2943-5100
Fax: 852-2401-3431

China - Nanjing
Tel: 86-25-8473-2460
Fax: 86-25-8473-2470

China - Qingdao
Tel: 86-532-8502-7355
Fax: 86-532-8502-7205

China - Shanghai
Tel: 86-21-5407-5533
Fax: 86-21-5407-5066

China - Shenyang
Tel: 86-24-2334-2829
Fax: 86-24-2334-2393

China - Shenzhen
Tel: 86-755-8864-2200
Fax: 86-755-8203-1760

China - Wuhan
Tel: 86-27-5980-5300
Fax: 86-27-5980-5118

China - Xian
Tel: 86-29-8833-7252
Fax: 86-29-8833-7256

ASIA/PACIFIC

China - Xiamen
Tel: 86-592-2388138
Fax: 86-592-2388130

China - Zhuhai
Tel: 86-756-3210040
Fax: 86-756-3210049

India - Bangalore
Tel: 91-80-3090-4444
Fax: 91-80-3090-4123

India - New Delhi
Tel: 91-11-4160-8631
Fax: 91-11-4160-8632

India - Pune
Tel: 91-20-3019-1500

Japan - Osaka
Tel: 81-6-6152-7160
Fax: 81-6-6152-9310

Japan - Tokyo
Tel: 81-3-6880-3770
Fax: 81-3-6880-3771

Korea - Daegu
Tel: 82-53-744-4301
Fax: 82-53-744-4302

Korea - Seoul
Tel: 82-2-554-7200
Fax: 82-2-558-5932 or
82-2-558-5934

Malaysia - Kuala Lumpur
Tel: 60-3-6201-9857
Fax: 60-3-6201-9859

Malaysia - Penang
Tel: 60-4-227-8870
Fax: 60-4-227-4068

Philippines - Manila
Tel: 63-2-634-9065
Fax: 63-2-634-9069

Singapore
Tel: 65-6334-8870
Fax: 65-6334-8850

Taiwan - Hsin Chu
Tel: 886-3-5778-366
Fax: 886-3-5770-955

Taiwan - Kaohsiung
Tel: 886-7-213-7828

Taiwan - Taipei
Tel: 886-2-2508-8600
Fax: 886-2-2508-0102

Thailand - Bangkok
Tel: 66-2-694-1351
Fax: 66-2-694-1350

EUROPE

Austria - Wels
Tel: 43-7242-2244-39
Fax: 43-7242-2244-393

Denmark - Copenhagen
Tel: 45-4450-2828
Fax: 45-4485-2829

France - Paris
Tel: 33-1-69-53-63-20
Fax: 33-1-69-30-90-79

Germany - Dusseldorf
Tel: 49-2129-3766400

Germany - Karlsruhe
Tel: 49-721-625370

Germany - Munich
Tel: 49-89-627-144-0
Fax: 49-89-627-144-44

Italy - Milan
Tel: 39-0331-742611
Fax: 39-0331-466781

Italy - Venice
Tel: 39-049-7625286

Netherlands - Drunen
Tel: 31-416-690399
Fax: 31-416-690340

Poland - Warsaw
Tel: 48-22-3325737

Spain - Madrid
Tel: 34-91-708-08-90
Fax: 34-91-708-08-91

Sweden - Stockholm
Tel: 46-8-5090-4654

UK - Wokingham
Tel: 44-118-921-5800
Fax: 44-118-921-5820

07/14/15