



Chipsmall Limited consists of a professional team with an average of over 10 year of expertise in the distribution of electronic components. Based in Hongkong, we have already established firm and mutual-benefit business relationships with customers from,Europe,America and south Asia,supplying obsolete and hard-to-find components to meet their specific needs.

With the principle of “Quality Parts,Customers Priority,Honest Operation,and Considerate Service”,our business mainly focus on the distribution of electronic components. Line cards we deal with include Microchip,ALPS,ROHM,Xilinx,Pulse,ON,Everlight and Freescale. Main products comprise IC,Modules,Potentiometer,IC Socket,Relay,Connector.Our parts cover such applications as commercial,industrial, and automotives areas.

We are looking forward to setting up business relationship with you and hope to provide you with the best service and solution. Let us make a better world for our industry!



## Contact us

Tel: +86-755-8981 8866 Fax: +86-755-8427 6832

Email & Skype: info@chipsmall.com Web: www.chipsmall.com

Address: A1208, Overseas Decoration Building, #122 Zhenhua RD., Futian, Shenzhen, China



## 96-Channel Serial to Parallel Converter with Push-Pull Outputs

### Features

- 96 High-Voltage Channels
  - Up to 80V Operating Output Voltage
  - 75 mA Peak Output Sink/Source Current
- Six Parallel 16-bit Shift Registers
  - Clockwise and Counter-Clockwise Data Shifting via DIR Pin
- 30 MHz Data Rate

### Applications

- Inkjet Printer Driver
- AC Plasma Data Driver
- 3D Printer Driver

### Related Devices

- **HV583**: 128-Channel Serial to Parallel Converter with Push-Pull Outputs

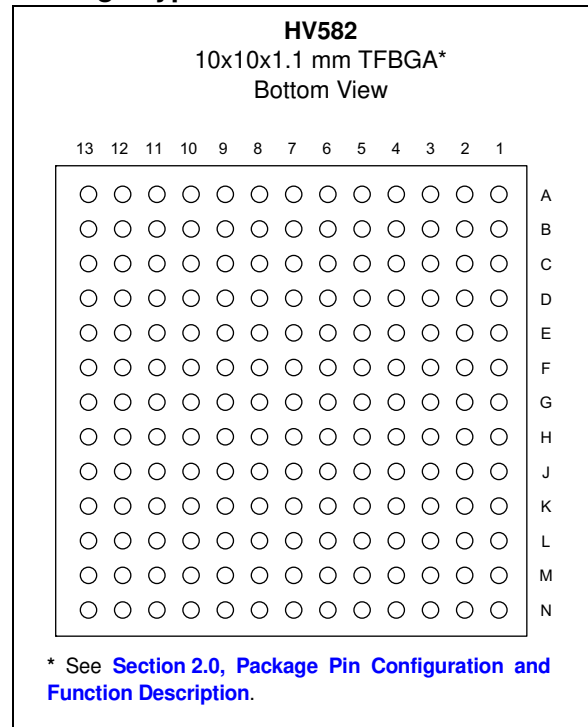
### Description

HV582 is a unipolar, 96-channel low-voltage serial to high-voltage parallel converter with push-pull outputs. This device has been designed for applications requiring multiple high-voltage outputs with current sinking and sourcing capabilities, such as plasma displays and Inkjet printers.

The device consists of six parallel 16-bit shift registers, a 96-bit latch and 96 high-voltage outputs. The shift registers operate at 30 MHz, allowing 180 MHz data rates due to the parallel arrangement.

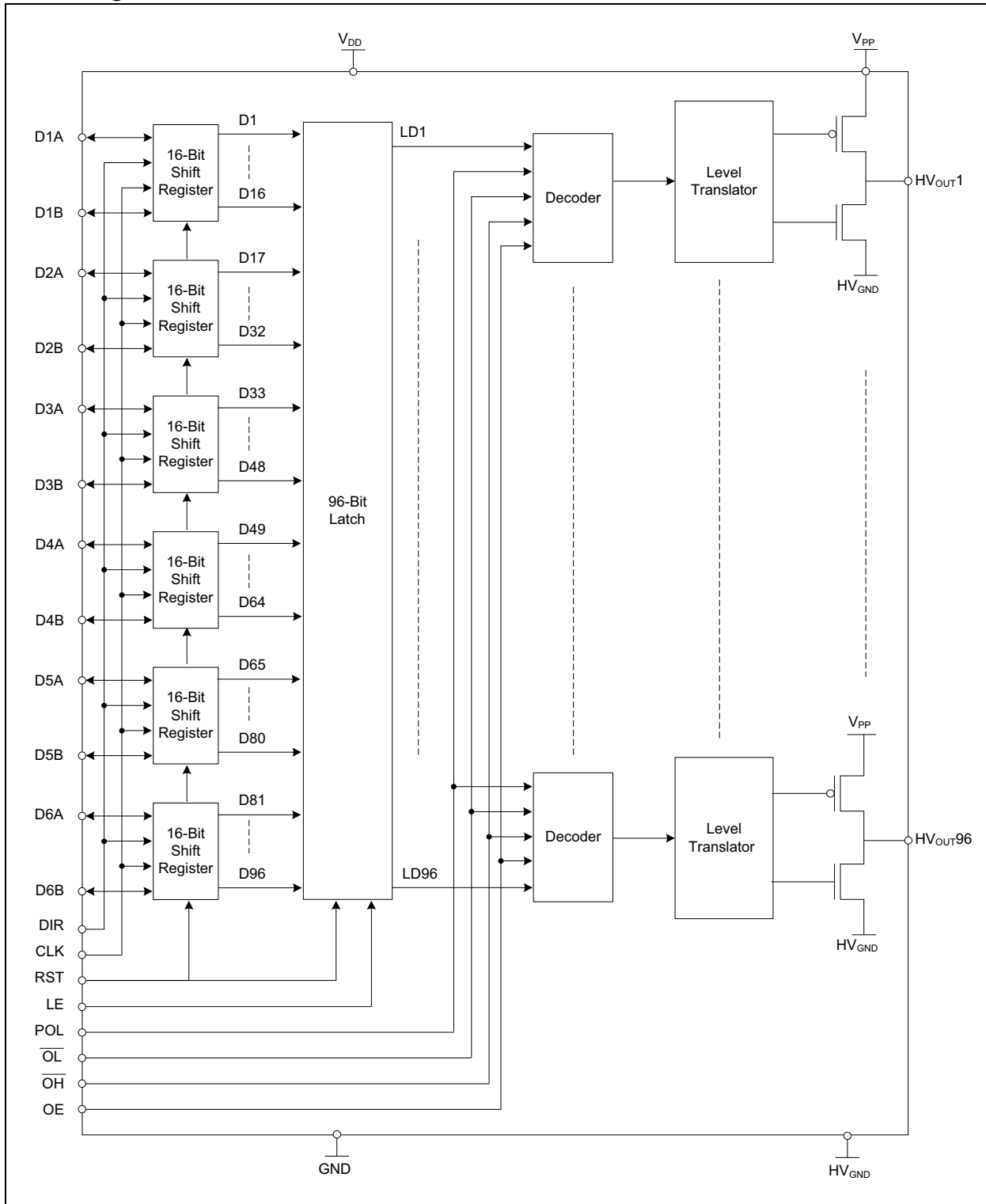
HV582 is offered in a 169-ball 10 x 10 x 1.1 mm TFBGA package.

### Package Type



# HV582

## Block Diagram



## 1.0 ELECTRICAL CHARACTERISTICS

### Absolute Maximum Rating†

Supply Voltage $V_{DD}$ .....	-0.5V to +6.0V
High-Voltage Supply $V_{PP}$ .....	$V_{DD}$ to +85V
Logic Input Voltages.....	-0.5V to $V_{DD}$ + 0.5V
Operating Junction Temperature.....	-40°C to +125°C
Storage Temperature .....	-65°C to +150°C

†**Notice:** Stresses above those listed under “Absolute Maximum Ratings” may cause permanent damage to the device. This is a stress rating only and functional operation of the device at those or any other conditions, above those indicated in the operational listings of this specification, is not implied. Exposure to maximum rating conditions for extended periods may affect device reliability. Device is ESD sensitive. Use appropriate ESD precaution.

### RECOMMENDED OPERATING CONDITIONS

Parameter	Symbol	Min.	Typ.	Max.	Units	Conditions
Logic Supply Voltage	$V_{DD}$	4.5	5.0	5.5	V	
High-Voltage Supply	$V_{PP}$	10	—	80	V	
High-Level Input Voltage	$V_{IH}$	$V_{DD} - 0.9$	—	$V_{DD}$	V	
Low-Level Input Voltage	$V_{IL}$	0	—	0.9	V	

**TABLE 1-1: POWER SEQUENCES**

Sequence Type	Steps
Power-Up Sequence	<ol style="list-style-type: none"> <li>1. Connect Ground.</li> <li>2. Apply <math>V_{DD}</math>.</li> <li>3. Set All Inputs (Data, CLK, etc.) to a known state.</li> <li>4. Apply <math>V_{PP}</math>.</li> </ol>
Power-Down Sequence	Repeat the Power-Up sequence in reverse order.

### DC ELECTRICAL CHARACTERISTICS

<b>Electrical Specification:</b> Unless otherwise specified, $T_A = T_J = +25^\circ\text{C}$ , $V_{DD} = 5.0\text{V}$ and $V_{PP} = 80\text{V}$ .						
Parameter	Symbol	Min.	Typ.	Max.	Units	Conditions
$V_{PP}$ Quiescent Supply Current	$I_{PPQ}$	—	—	100	$\mu\text{A}$	
$V_{DD}$ Quiescent Supply Current	$I_{DDQ}$	—	—	100	$\mu\text{A}$	
$V_{DD}$ Supply Current	$I_{DD}$	—	—	25	mA	$f_{CLK} = 30\text{ MHz}$ , LE = low
High-Level Output Voltage	$HV_{OH}$	70	75	—	V	$I_{OUT} = 75\text{ mA}$ , $V_{PP} = 80\text{V}$
Output P-Channel Body Diode	$HV_{OHD}$	—	—	83	V	$I_{OUT} = -75\text{ mA}$ , $V_{PP} = 80\text{V}$ (Note 1)
Low-Level Output Voltage	$HV_{OL}$	—	5.0	10	V	$I_{OUT} = -75\text{ mA}$
Output N-Channel Body Diode	$HV_{OLD}$	-3.0	—	—	V	$I_{OUT} = 75\text{ mA}$ (Note 1)
Logic Input High Current	$I_{IH}$	—	—	1.0	$\mu\text{A}$	$V_{IH} = V_{DD}$
		10	30	50		$V_{IH} = V_{DD}$ , RST and POL only

**Note 1:** Specification is for design guidance only.

# HV582

## DC ELECTRICAL CHARACTERISTICS (CONTINUED)

Electrical Specification: Unless otherwise specified, $T_A = T_J = +25^\circ\text{C}$ , $V_{DD} = 5.0\text{V}$ and $V_{PP} = 80\text{V}$ .						
Parameter	Symbol	Min.	Typ.	Max.	Units	Conditions
Logic Input Low Current	$I_{IL}$	-1.0	—	—	$\mu\text{A}$	$V_{IL} = -0.3\text{V}$
Logic Output High	$V_{OH}$	3.5	—	—	V	$I_{OUT} = 4\text{ mA}$
Logic Output Low	$V_{OL}$	—	—	1.0		$I_{OUT} = -4\text{ mA}$

**Note 1:** Specification is for design guidance only.

## AC ELECTRICAL CHARACTERISTICS

Electrical Characteristics: Unless otherwise specified $T_A = T_J = +25^\circ\text{C}$ , $V_{DD} = 5.0\text{V}$ and $V_{PP} = 80\text{V}$ .						
Parameter	Symbol	Min.	Typ.	Max.	Units	Conditions
Data Clock Frequency	$f_{CLK}$	—	—	30	MHz	
Clock Pulse Width, High and Low	$t_{wCLK}$	16.6	—	—	ns	Note 1
LE Pulse Width, High and Low	$t_{wLE}$	16.6	—	—		Note 2
Setup Time, DnA/B to CLK	$t_{su1}$	5	—	—		Note 1
Setup Time, CLK to LE	$t_{su2}$	15	—	—		Note 1
Setup Time, LE to $\overline{OL}, \overline{OH}$	$t_{su3}$	25	—	—		Note 1
Hold Time, CLK to DnA/B	$t_{h1}$	15	—	—		Note 1
Hold Time, LE to CLK	$t_{h2}$	15	—	—		Note 1
CLK to DnA/B (High-to-Low)	$t_{pdHL}$	—	—	25		$C_L = 170\text{ pF}$
CLK to DnA/B (Low-to-High)	$t_{pdLH}$	—	—	25		$C_L = 170\text{ pF}$
LE, $\overline{OL}, \overline{OH}$ to $HV_{OUTn}$ (High-to-Low)	$t_{pHL}$	—	—	300		$C_L = 170\text{ pF}$
LE, $\overline{OL}, \overline{OH}$ to $HV_{OUTn}$ (Low-to-High)	$t_{pLH}$	—	—	300		$C_L = 170\text{ pF}$
OE to $HV_{OUTn}$ (High-to-Low)	$t_{pHZL}$	—	—	150		$C_L = 170\text{ pF}$
OE to $HV_{OUTn}$ (Low-to-High)	$t_{pLZH}$	—	—	150		$C_L = 170\text{ pF}$
OE to $HV_{OUTn}$ (High-to-Low)	$t_{pHZ}$	—	—	300		
OE to $HV_{OUTn}$ (Low-to-High)	$t_{pLZ}$	—	—	300		
Rise Time $HV_{OUTn}$	$t_r$	—	—	200		$C_L = 170\text{ pF}$
Fall Time $HV_{OUTn}$	$t_f$	—	—	200	$C_L = 170\text{ pF}$	

**Note 1:** Specification is obtained by characterization and is not 100% tested.




**2:** Specification is for design guidance only.

## TEMPERATURE SPECIFICATIONS


Parameters	Sym.	Min.	Typ.	Max.	Units	Conditions
<b>Temperature Ranges</b>						
Operating Junction Temperature	$T_J$	-40	—	+125	$^\circ\text{C}$	
Storage Temperature	$T_A$	-65	—	+150	$^\circ\text{C}$	
<b>Package Thermal Resistance</b>						
Thermal Resistance, 169-Ball TFBGA	$\theta_{JA}$	—	27	—	$^\circ\text{C/W}$	

## 1.1 Logic Characteristics

**TABLE 1-2: LOGIC FUNCTION TRUTH TABLE**

Function	Inputs								Outputs		
	RST	Data	CLK	LE	OE	POL	$\overline{OL}$	$\overline{OH}$	Shift Reg. 1 2...96	HV Outputs 1 2...96	Data Out
All Low	L	X	X	X	H	X	L	X	**...*	L L...L	*
All High	L	X	X	X	H	X	H	L	**...*	H H...H	*
Output High Z	L	X	X	X	L	X	X	X	**...*	Z Z...Z	*
Invert Mode	L	X	X	L	H	H	H	H	**...*	**...*(b)	*
Load S/R	L	H or L		L	H	L	H	H	H or L ...*	**...*	*
Store Data in Latches	L	X	X	L	H	L	H	H	**...*	**...*	*
	L	X	X	L	H	H	H	H	**...*	**...*(b)	*
Transparent Mode	L	L		H	H	L	H	H	L**...*	L**...*	*
	L	H		H	H	L	H	H	H**...*	H**...*	*
Reset	H	X	X	X	H	L	H	H	L**...*	L**...*	L

**Legend:**

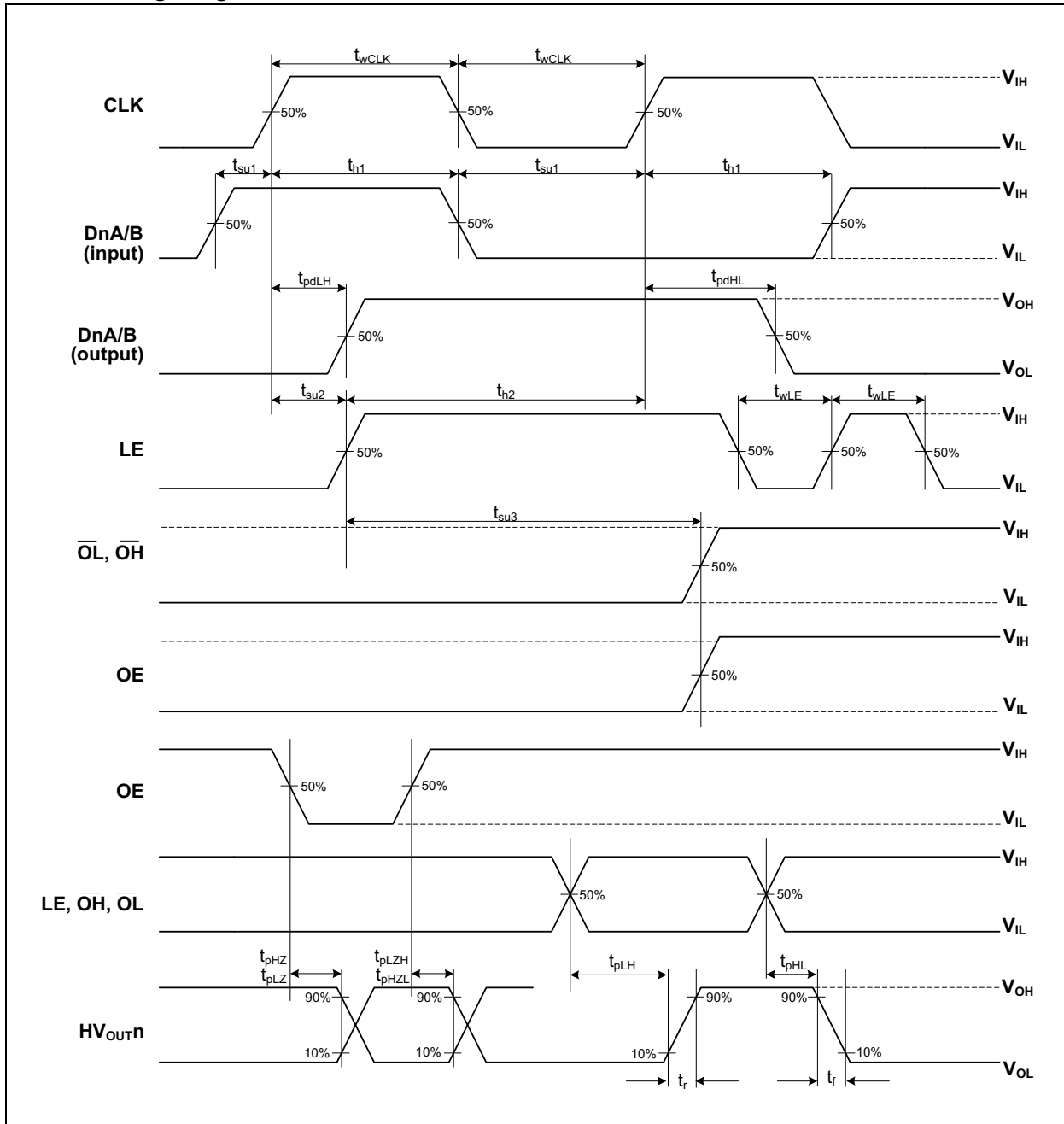
- D = Data
- H = Level High
- L = Level Low
- X = Don't Care
- Z = High Impedance
- b = Inversion
- \* = Dependent of previous stage's state before the last CLK or last LE high
-  = Low-to-High Transition

**TABLE 1-3: OUTPUT SHIFT OPERATION**

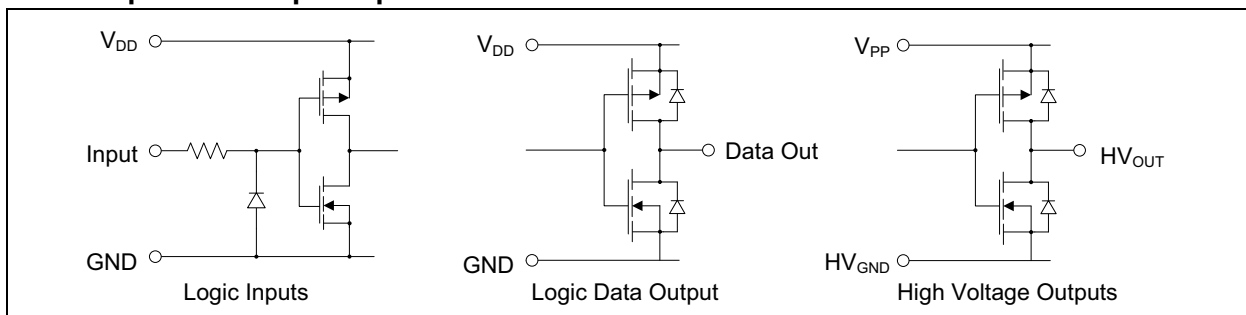
Input	Output	DIR	Shift Operation
D1A	D1B	L	D1 to D16
D2A	D2B	L	D17 to D32
D3A	D3B	L	D33 to D48
D4A	D4B	L	D49 to D64
D5A	D5B	L	D65 to D80
D6A	D6B	L	D81 to D96
D1B	D1A	H	D16 to D1
D2B	D2A	H	D32 to D17
D3B	D3A	H	D48 to D33
D4B	D4A	H	D64 to D49
D5B	D5A	H	D80 to D65
D6B	D6A	H	D96 to D81

# HV582

## 1.2 Timing Diagram

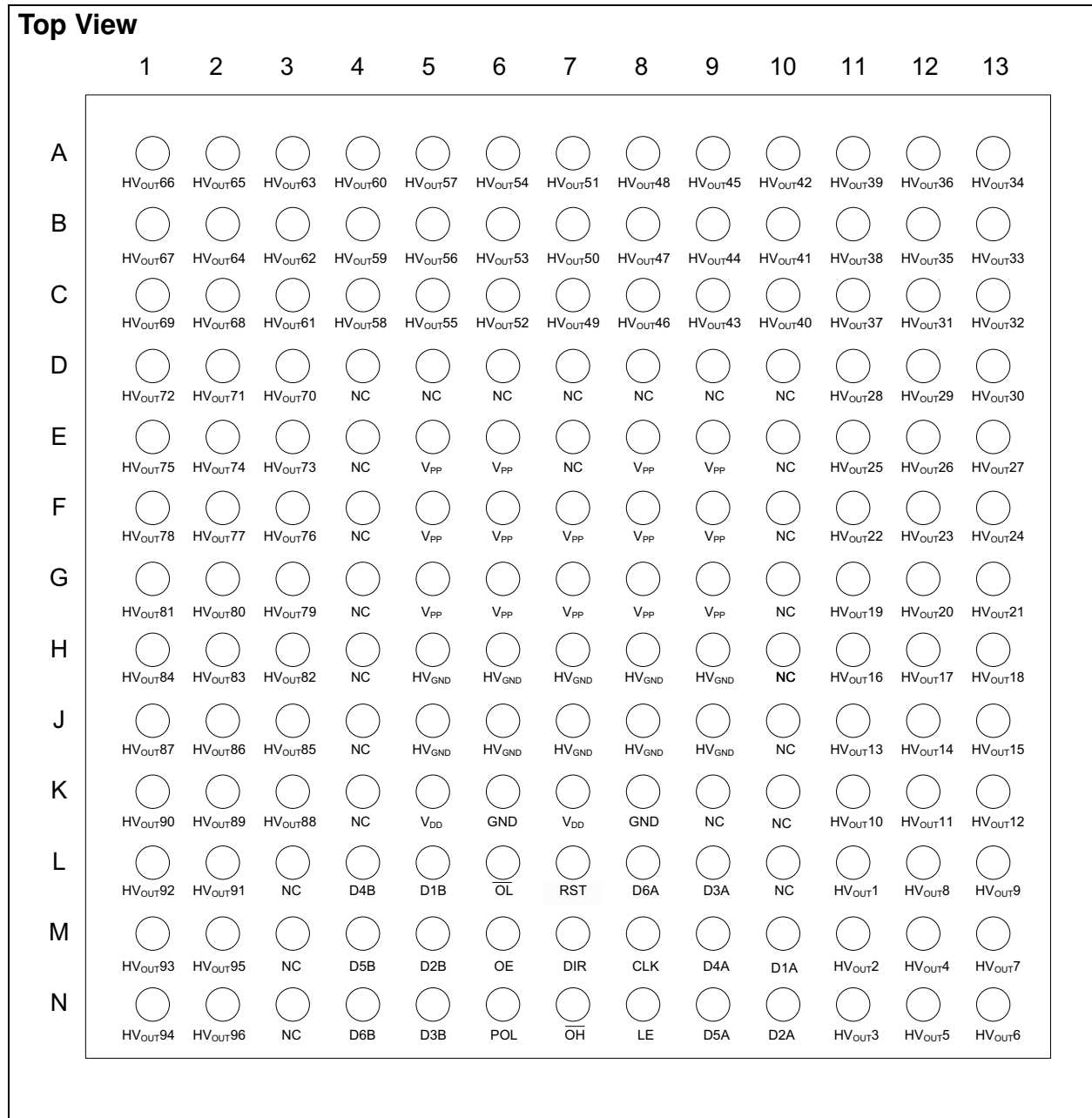


## 1.3 Input and Output Equivalent Circuits



## 2.0 PACKAGE PIN CONFIGURATION AND FUNCTION DESCRIPTION

This section details the pin designation for the 169-Ball TFBGA package (Figure 2-1). The descriptions of the pins are listed in Table 2-1.



**FIGURE 2-1:** 169-Ball TFBGA Package



# HV582

**TABLE 2-1: PIN ASSIGNMENT**

Pin #	Symbol	Pin #	Symbol	Pin #	Symbol
A1	HV <sub>OUT</sub> 66	D3	HV <sub>OUT</sub> 70	K6, K8	GND
A2	HV <sub>OUT</sub> 65	D4, D5, D6, D7, D8, D9, D10, E4, E7, E10, F4, F10, G4, G10, H4, H10, J4, J10, K4, K9, K10, L3, L10, M3, N3	NC	K11	HV <sub>OUT</sub> 10
A3	HV <sub>OUT</sub> 63	D11	HV <sub>OUT</sub> 28	K12	HV <sub>OUT</sub> 11
A4	HV <sub>OUT</sub> 60	D12	HV <sub>OUT</sub> 29	K13	HV <sub>OUT</sub> 12
A5	HV <sub>OUT</sub> 57	D13	HV <sub>OUT</sub> 30	L1	HV <sub>OUT</sub> 92
A6	HV <sub>OUT</sub> 54	E1	HV <sub>OUT</sub> 75	L2	HV <sub>OUT</sub> 91
A7	HV <sub>OUT</sub> 51	E2	HV <sub>OUT</sub> 74	L4	DB4
A8	HV <sub>OUT</sub> 48	E3	HV <sub>OUT</sub> 73	L5	DB1
A9	HV <sub>OUT</sub> 45	E5, E6, E8, E9, F5, F6, F7, F8, F9, G5, G6, G7, G8, G9	V <sub>PP</sub>	L6	OL
A10	HV <sub>OUT</sub> 42	E11	HV <sub>OUT</sub> 25	L7	RST
A11	HV <sub>OUT</sub> 39	E12	HV <sub>OUT</sub> 26	L8	D6A
A12	HV <sub>OUT</sub> 36	E13	HV <sub>OUT</sub> 27	L9	D3A
A13	HV <sub>OUT</sub> 34	F1	HV <sub>OUT</sub> 78	L11	HV <sub>OUT</sub> 1
B1	HV <sub>OUT</sub> 67	F2	HV <sub>OUT</sub> 77	L12	HV <sub>OUT</sub> 8
B2	HV <sub>OUT</sub> 64	F3	HV <sub>OUT</sub> 76	L13	HV <sub>OUT</sub> 9
B3	HV <sub>OUT</sub> 62	F11	HV <sub>OUT</sub> 22	M1	HV <sub>OUT</sub> 93
B4	HV <sub>OUT</sub> 59	F12	HV <sub>OUT</sub> 23	M2	HV <sub>OUT</sub> 95
B5	HV <sub>OUT</sub> 56	F13	HV <sub>OUT</sub> 24	M4	DB5
B6	HV <sub>OUT</sub> 53	G1	HV <sub>OUT</sub> 81	M5	DB2
B7	HV <sub>OUT</sub> 50	G2	HV <sub>OUT</sub> 80	M6	OE
B8	HV <sub>OUT</sub> 47	G3	HV <sub>OUT</sub> 79	M7	DIR
B9	HV <sub>OUT</sub> 44	G11	HV <sub>OUT</sub> 19	M8	CLK
B10	HV <sub>OUT</sub> 41	G12	HV <sub>OUT</sub> 20	M9	D4A
B11	HV <sub>OUT</sub> 38	G13	HV <sub>OUT</sub> 21	M10	D1A
B12	HV <sub>OUT</sub> 35	H1	HV <sub>OUT</sub> 84	M11	HV <sub>OUT</sub> 2
B13	HV <sub>OUT</sub> 33	H2	HV <sub>OUT</sub> 83	M12	HV <sub>OUT</sub> 4
C1	HV <sub>OUT</sub> 69	H3	HV <sub>OUT</sub> 82	M13	HV <sub>OUT</sub> 7
C2	HV <sub>OUT</sub> 68	H5, H6, H7, H8, H9, J5, J6, J7, J8, J9	HVGND	N1	HV <sub>OUT</sub> 94
C3	HV <sub>OUT</sub> 61	H11	HV <sub>OUT</sub> 16	N2	HV <sub>OUT</sub> 96
C4	HV <sub>OUT</sub> 58	H12	HV <sub>OUT</sub> 17	N4	DB6
C5	HV <sub>OUT</sub> 55	H13	HV <sub>OUT</sub> 18	N5	D3B
C6	HV <sub>OUT</sub> 52	J1	HV <sub>OUT</sub> 87	N6	POL
C7	HV <sub>OUT</sub> 49	J2	HV <sub>OUT</sub> 86	N7	OH
C8	HV <sub>OUT</sub> 46	J3	HV <sub>OUT</sub> 85	N8	LE
C9	HV <sub>OUT</sub> 43	J11	HV <sub>OUT</sub> 13	N9	D5A
C10	HV <sub>OUT</sub> 40	J12	HV <sub>OUT</sub> 14	N10	D2A
C11	HV <sub>OUT</sub> 37	J13	HV <sub>OUT</sub> 15	N11	HV <sub>OUT</sub> 3
C12	HV <sub>OUT</sub> 31	K1	HV <sub>OUT</sub> 90	N12	HV <sub>OUT</sub> 5
C13	HV <sub>OUT</sub> 32	K2	HV <sub>OUT</sub> 89	N13	HV <sub>OUT</sub> 6
D1	HV <sub>OUT</sub> 72	K3	HV <sub>OUT</sub> 88		
D2	HV <sub>OUT</sub> 71	K5, K7	V <sub>DD</sub>		

## 2.1 High-Voltage Output Pins (HV<sub>OUT1</sub> to HV<sub>OUT96</sub>)

These are the high-voltage output channels (Push-Pull).

## 2.2 High-Voltage Power Supply Pins (V<sub>PP</sub>)

High-voltage power supply pins for the output channels (HV<sub>OUTn</sub>).

## 2.3 High-Voltage Ground Pins (HV<sub>GND</sub>)

High-voltage ground pins provide the reference ground level for the high-voltage output channels.

## 2.4 Logic Power Supply Pins (V<sub>DD</sub>)

Logic power supply pins for the 16-bit shift registers, 96-bit latch and decoders.

## 2.5 Data Input/Output Pins (D1B, D2B, D3B, D4B, D5B, D6B)

Data Input/Output pins are configurable as inputs or outputs for the shift registers depending on the state of the Direction pin (DIR).

When DIR is High, pins D1B to D6B are configured as inputs to the data shift registers. When DIR is Low, these pins are configured as outputs of the data shift registers.

## 2.6 Polarity Pin (POL)

The Polarity pin inverts the current state for all the HV<sub>OUTn</sub> channels (from High to Low or Low to High) when set High.

## 2.7 Output Enable Pin (OE)

The Output Enable pin controls the functionality of the high-voltage output channels.

When OE is High, all HV<sub>OUTn</sub> channels are enabled and form a push-pull configuration to operate according to input data or  $\overline{OL}$ ,  $\overline{OH}$  or POL configuration states. When OE is Low, all HV<sub>OUTn</sub> channels are forced to a high-impedance state, regardless of the data stored in the 96-bit latch or the states of the  $\overline{OL}$ ,  $\overline{OH}$  and POL pins.

## 2.8 Output Low Pin ( $\overline{OL}$ )

The Output Low pin sets all high-voltage output channels (HV<sub>OUT1</sub> to HV<sub>OUT96</sub>) to a Low level state (HV<sub>GND</sub>).

When  $\overline{OL}$  is set Low and OE is High, all the HV<sub>OUTn</sub> channels are forced to a Low-level state (HV<sub>GND</sub>), regardless of the data stored in the 96-bit latch. See [Table 1-2](#) for more information.

## 2.9 Output High Pin ( $\overline{OH}$ )

The Output High pin sets all high-voltage output channels (HV<sub>OUT1</sub> to HV<sub>OUT96</sub>) to a High-level state (V<sub>PP</sub>). When  $\overline{OH}$  is Low while OE and  $\overline{OL}$  are High, all the HV<sub>OUTn</sub> channels are forced to a High-level state (V<sub>PP</sub>), regardless of the data stored in the 96-bit latch. See [Table 1-2](#) for more information.

## 2.10 Direction Pin (DIR)

The DIR pin controls the direction of the input data flow for the input registers, whether it is clockwise (DnA to DnB) or counter-clockwise (DnB to DnA).

When DIR is set High, data flows from DnB to DnA. When DIR is set Low, data flows from DnA to DnB. See [Table 1-3](#) for more information.

## 2.11 Logic Ground Pins (GND)

Logic ground pins provide a reference ground level for the low-voltage section of the IC, shift registers, latches and decoders.

## 2.12 Reset Pin (RST)

The RST pin clears shift registers and the 96-bit latch data content when it is set High. See [Table 1-2](#) for more information.

## 2.13 Latch Enable Pin (LE)

The Latch Enable pin controls the data transfer from the input shift registers to the 96-bit latch and the HV<sub>OUTn</sub> channels. See [Table 1-2](#) for more information.

## 2.14 Clock Input Pin (CLK)

This is the clock input pin for the 16-bit input shift registers.

## 2.15 Data Input/Output Pins (D1A, D2A, D3A, D4A, D5A, D6A)

The Data Input/Output pins are configurable as inputs or outputs for the shift registers depending on the state of the Direction pin (DIR).

When DIR is Low, pins D1A to D6A are configured as inputs to the data shift registers. When DIR is High, pins D1A to D6A are configured as outputs of the data shift registers.

## 2.16 No Connection Pins (NC)

NC pins do not have any functionality on the IC. These pins should not be connected.

# HV582

## 3.0 FUNCTIONAL DESCRIPTION

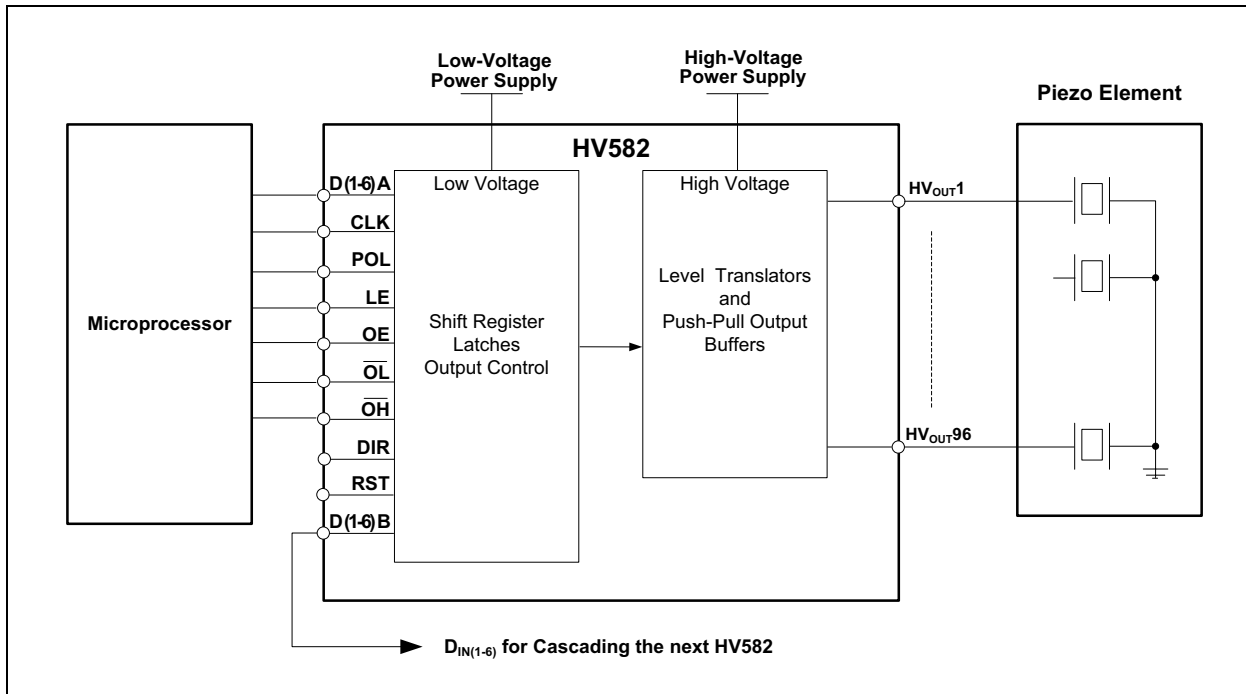
The HV582 is a unipolar, 96-channel low-voltage serial to high-voltage parallel converter. The device consists of six parallel 16-bit shift registers, a 96-bit latch and 96 high-voltage outputs.

The six independent shift registers allow data to be updated into the 96-bit latch at six times the speed of a single register (30 MHz), providing a fast update rate for the 96 output channels. The 96-bit latch holds the data for the high-voltage output channels; whether it is a High-level or Low-level state. The flow of the input data can switch direction from clockwise (D1-6A to D1-6B) to counter-clockwise (D1-6B to D1-6A) by controlling the DIR pin. A reset pin (RST) is provided to clear the contents of the latches. All channels can be set at the same time to a high-impedance state (High Z), Low-level state, High-level state, or to alter their polarity through the OE, OL, OH and POL pins, respectively.

The high-output voltages ( $HV_{OUTn}$ ) can operate from 10V to 80V with a maximum current source and sink capability of 75 mA.

## 3.1 Application Information

HV582 is designed for applications requiring multiple high-voltage outputs with current sinking and sourcing capabilities in the range of  $\pm 75$  mA. Typical applications where the HV582 is utilized are in plasma displays, Inkjet printer drivers and 3D printer drivers.



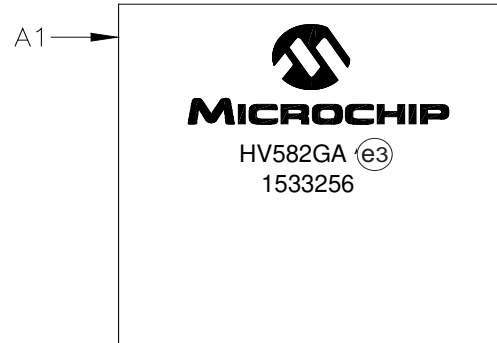
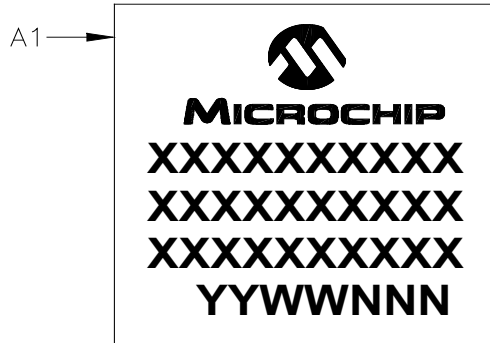
**FIGURE 3-1:** Typical Application Block Diagram.

## 4.0 PACKAGING INFORMATION

### 4.1 Package Marking Information

169-Ball TFBGA (10 x10 x1.1 mm)

Example



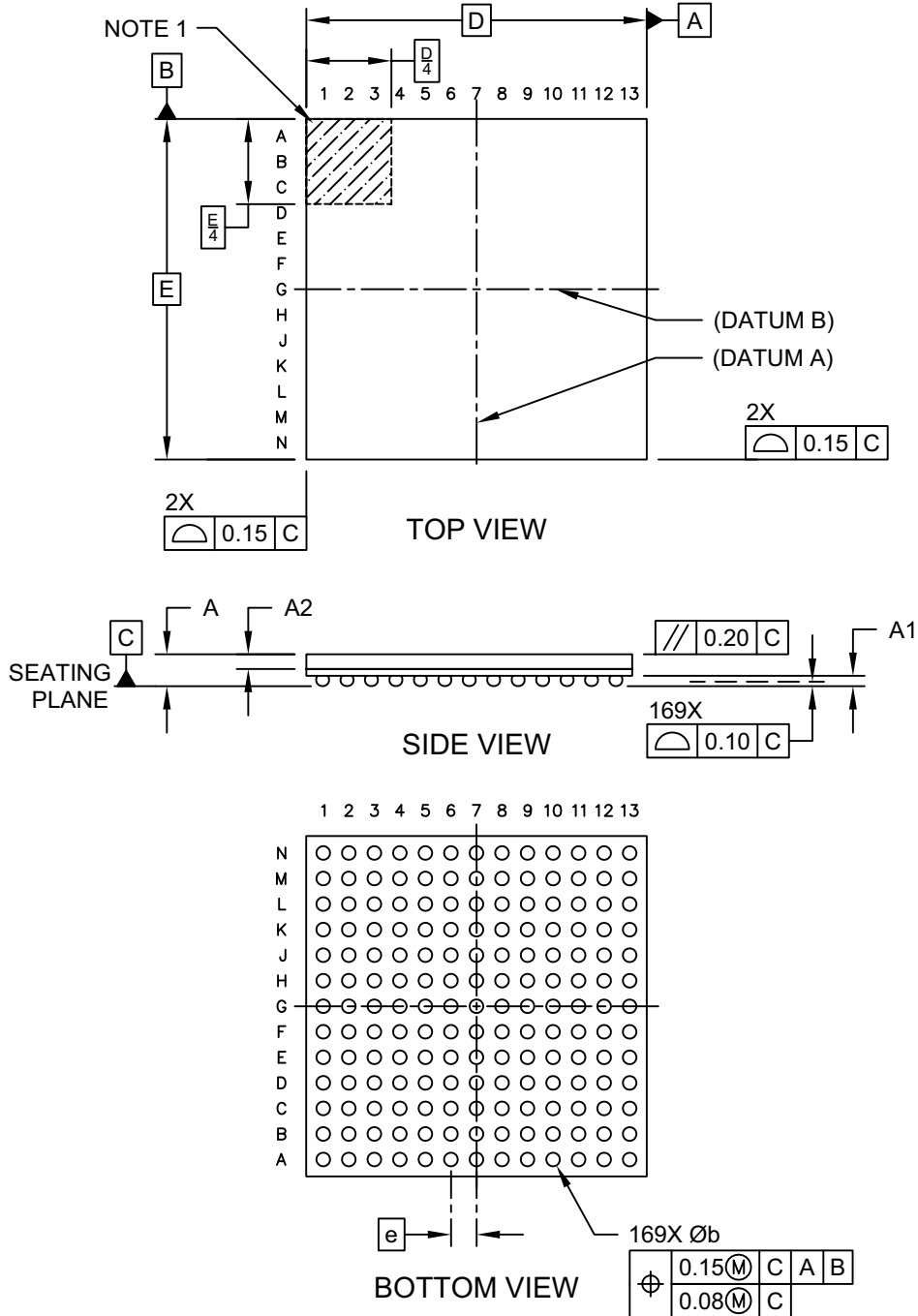
<b>Legend:</b>	XX...X	Product Code or Customer-specific information
	Y	Year code (last digit of calendar year)
	YY	Year code (last 2 digits of calendar year)
	WW	Week code (week of January 1 is week '01')
	NNN	Alphanumeric traceability code
	(e3)	Pb-free JEDEC designator for Matte Tin (Sn)
	*	This package is Pb-free. The Pb-free JEDEC designator (e3) can be found on the outer packaging for this package.

**Note:** In the event the full Microchip part number cannot be marked on one line, it will be carried over to the next line, thus limiting the number of available characters for customer-specific information. Package may or may not include the corporate logo.

# HV582

## 169-Ball Thin Fine Pitch Ball Grid Array (7G) - 10x10x1.10 mm Body [TFBGA] (Complies with JEDEC Terminal Assignment recommendations)

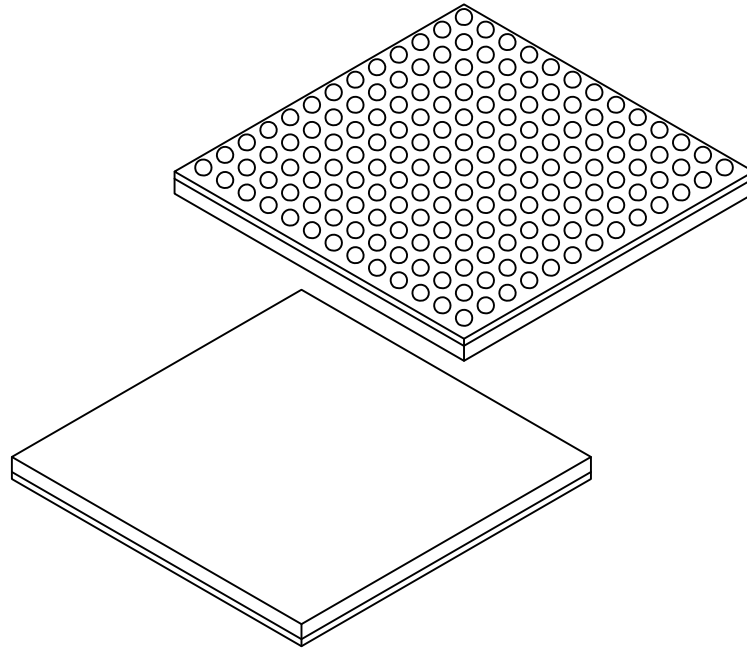
**Note:** For the most current package drawings, please see the Microchip Packaging Specification located at <http://www.microchip.com/packaging>



Microchip Technology Drawing C04-377-J Rev C Sheet 1 of 2

## 169-Ball Thin Fine Pitch Ball Grid Array (7G) - 10x10x1.10 mm Body [TFBGA] (Complies with JEDEC Terminal Assignment recommendations)

**Note:** For the most current package drawings, please see the Microchip Packaging Specification located at <http://www.microchip.com/packaging>



		MILLIMETERS		
Dimension Limits		MIN	NOM	MAX
Number of Terminals	N	169		
Pitch	e	0.75 BSC		
Overall Height	A	-	-	1.10
Standoff	A1	0.21	0.32	-
Mold Cap Thickness	A2	0.50	0.45	0.50
Overall Length	D	10.00		
Overall Width	E	10.00		
Ball Diameter	b	0.35	0.40	0.45

**Notes:**

1. Terminal A1 visual index feature may vary, but must be located within the hatched area.
2. Package is saw singulated
3. Dimensioning and tolerancing per ASME Y14.5M

BSC: Basic Dimension. Theoretically exact value shown without tolerances.

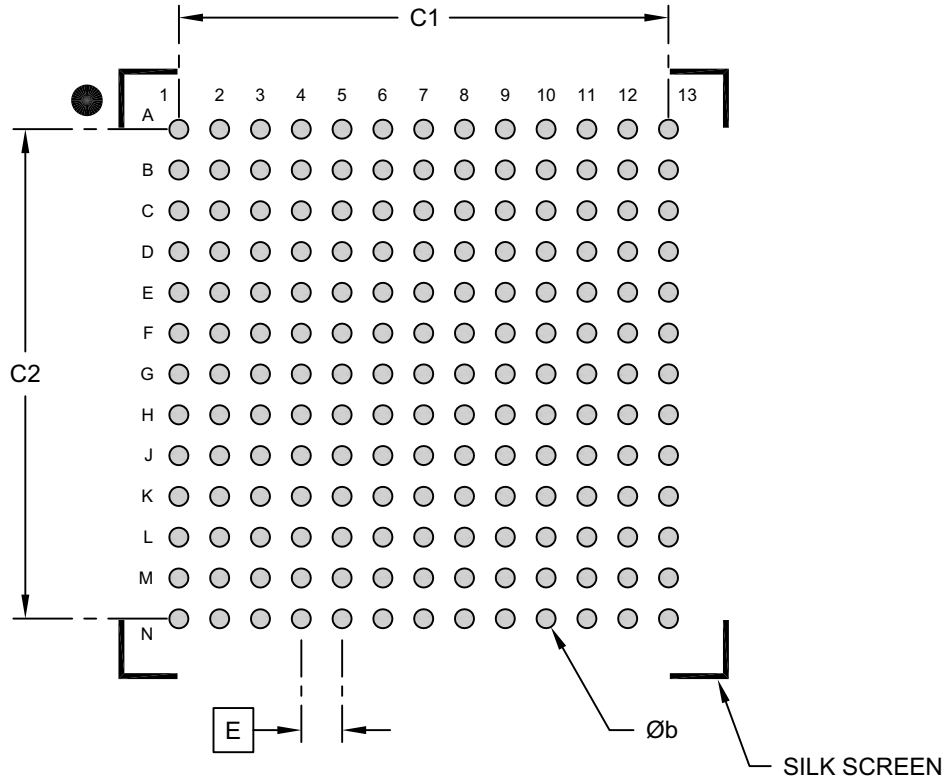
REF: Reference Dimension, usually without tolerance, for information purposes only.

Microchip Technology Drawing C04-377-J Rev C Sheet 2 of 2

# HV582

## 169-Ball Thin Fine Pitch Ball Grid Array (7G) - 10x10x1.10 mm Body [TFBGA] (Complies with JEDEC Terminal Assignment recommendations)

**Note:** For the most current package drawings, please see the Microchip Packaging Specification located at <http://www.microchip.com/packaging>



### RECOMMENDED LAND PATTERN

Dimension Limits	Units	MILLIMETERS		
		MIN	NOM	MAX
Contact Pitch	E	0.75 BSC		
Contact Pad Spacing	C1		9.00	
Contact Pad Spacing	C2		9.00	
Contact Pad Diameter (X169)	b		0.35	

**Notes:**

1. Dimensioning and tolerancing per ASME Y14.5M

BSC: Basic Dimension. Theoretically exact value shown without tolerances.

Microchip Technology Drawing C04-2377-J Rev C

## APPENDIX A: REVISION HISTORY

### Revision A (December 2015)

- Original release of this document.



# HV582

---

NOTES:

## PRODUCT IDENTIFICATION SYSTEM

To order or obtain information, e.g., on pricing or delivery, refer to the factory or the listed sales office.

<u>PART NO.</u>	<u>XX-X</u>
Device	Package
<b>Device:</b>	HV582: Low-Voltage Serial to High-Voltage Parallel Converter with HV Outputs
<b>Package:</b>	GA-G = Thin Fine Pitch Ball Grid Array - 10 x 10 x 1.1 mm Body, 169-lead (TFBGA)

**Examples:**  
a) HV582GA-G: 169-Ball 10x10 TFBGA Package

# HV582

---

NOTES:

---

**Note the following details of the code protection feature on Microchip devices:**

- Microchip products meet the specification contained in their particular Microchip Data Sheet.
- Microchip believes that its family of products is one of the most secure families of its kind on the market today, when used in the intended manner and under normal conditions.
- There are dishonest and possibly illegal methods used to breach the code protection feature. All of these methods, to our knowledge, require using the Microchip products in a manner outside the operating specifications contained in Microchip's Data Sheets. Most likely, the person doing so is engaged in theft of intellectual property.
- Microchip is willing to work with the customer who is concerned about the integrity of their code.
- Neither Microchip nor any other semiconductor manufacturer can guarantee the security of their code. Code protection does not mean that we are guaranteeing the product as “unbreakable.”

Code protection is constantly evolving. We at Microchip are committed to continuously improving the code protection features of our products. Attempts to break Microchip's code protection feature may be a violation of the Digital Millennium Copyright Act. If such acts allow unauthorized access to your software or other copyrighted work, you may have a right to sue for relief under that Act.

---

Information contained in this publication regarding device applications and the like is provided only for your convenience and may be superseded by updates. It is your responsibility to ensure that your application meets with your specifications. MICROCHIP MAKES NO REPRESENTATIONS OR WARRANTIES OF ANY KIND WHETHER EXPRESS OR IMPLIED, WRITTEN OR ORAL, STATUTORY OR OTHERWISE, RELATED TO THE INFORMATION, INCLUDING BUT NOT LIMITED TO ITS CONDITION, QUALITY, PERFORMANCE, MERCHANTABILITY OR FITNESS FOR PURPOSE. Microchip disclaims all liability arising from this information and its use. Use of Microchip devices in life support and/or safety applications is entirely at the buyer's risk, and the buyer agrees to defend, indemnify and hold harmless Microchip from any and all damages, claims, suits, or expenses resulting from such use. No licenses are conveyed, implicitly or otherwise, under any Microchip intellectual property rights unless otherwise stated.

#### **Trademarks**

The Microchip name and logo, the Microchip logo, dsPIC, FlashFlex, flexPWR, JukeBlox, KEELOQ, KEELOQ logo, Klear, LANCheck, MediaLB, MOST, MOST logo, MPLAB, OptoLyzer, PIC, PICSTART, PIC<sup>32</sup> logo, RightTouch, SpyNIC, SST, SST Logo, SuperFlash and UNI/O are registered trademarks of Microchip Technology Incorporated in the U.S.A. and other countries.

The Embedded Control Solutions Company and mTouch are registered trademarks of Microchip Technology Incorporated in the U.S.A.

Analog-for-the-Digital Age, BodyCom, chipKIT, chipKIT logo, CodeGuard, dsPICDEM, dsPICDEM.net, ECAN, In-Circuit Serial Programming, ICSP, Inter-Chip Connectivity, KlearNet, KlearNet logo, MiWi, motorBench, MPASM, MPF, MPLAB Certified logo, MPLIB, MPLINK, MultiTRAK, NetDetach, Omniscient Code Generation, PICDEM, PICDEM.net, PICKit, PICtail, RightTouch logo, REAL ICE, SQI, Serial Quad I/O, Total Endurance, TSHARC, USBCheck, VariSense, ViewSpan, WiperLock, Wireless DNA, and ZENA are trademarks of Microchip Technology Incorporated in the U.S.A. and other countries.

SQTP is a service mark of Microchip Technology Incorporated in the U.S.A.

Silicon Storage Technology is a registered trademark of Microchip Technology Inc. in other countries.

GestIC is a registered trademark of Microchip Technology Germany II GmbH & Co. KG, a subsidiary of Microchip Technology Inc., in other countries.

All other trademarks mentioned herein are property of their respective companies.

© 2015, Microchip Technology Incorporated, Printed in the U.S.A., All Rights Reserved.

ISBN: 978-1-5224-0105-6

**QUALITY MANAGEMENT SYSTEM**  
**CERTIFIED BY DNV**  
**== ISO/TS 16949 ==**

*Microchip received ISO/TS-16949:2009 certification for its worldwide headquarters, design and wafer fabrication facilities in Chandler and Tempe, Arizona; Gresham, Oregon and design centers in California and India. The Company's quality system processes and procedures are for its PIC® MCUs and dsPIC® DSCs, KEELOQ® code hopping devices, Serial EEPROMs, microperipherals, nonvolatile memory and analog products. In addition, Microchip's quality system for the design and manufacture of development systems is ISO 9001:2000 certified.*



# MICROCHIP

## Worldwide Sales and Service

### AMERICAS

#### Corporate Office

2355 West Chandler Blvd.  
Chandler, AZ 85224-6199  
Tel: 480-792-7200  
Fax: 480-792-7277  
Technical Support:  
<http://www.microchip.com/support>

Web Address:  
[www.microchip.com](http://www.microchip.com)

#### Atlanta

Duluth, GA  
Tel: 678-957-9614  
Fax: 678-957-1455

#### Austin, TX

Tel: 512-257-3370

#### Boston

Westborough, MA  
Tel: 774-760-0087  
Fax: 774-760-0088

#### Chicago

Itasca, IL  
Tel: 630-285-0071  
Fax: 630-285-0075

#### Cleveland

Independence, OH  
Tel: 216-447-0464  
Fax: 216-447-0643

#### Dallas

Addison, TX  
Tel: 972-818-7423  
Fax: 972-818-2924

#### Detroit

Novi, MI  
Tel: 248-848-4000

#### Houston, TX

Tel: 281-894-5983

#### Indianapolis

Noblesville, IN  
Tel: 317-773-8323  
Fax: 317-773-5453

#### Los Angeles

Mission Viejo, CA  
Tel: 949-462-9523  
Fax: 949-462-9608

#### New York, NY

Tel: 631-435-6000

#### San Jose, CA

Tel: 408-735-9110

#### Canada - Toronto

Tel: 905-673-0699  
Fax: 905-673-6509

### ASIA/PACIFIC

#### Asia Pacific Office

Suites 3707-14, 37th Floor  
Tower 6, The Gateway  
Harbour City, Kowloon

#### Hong Kong

Tel: 852-2943-5100  
Fax: 852-2401-3431

#### Australia - Sydney

Tel: 61-2-9868-6733  
Fax: 61-2-9868-6755

#### China - Beijing

Tel: 86-10-8569-7000  
Fax: 86-10-8528-2104

#### China - Chengdu

Tel: 86-28-8665-5511  
Fax: 86-28-8665-7889

#### China - Chongqing

Tel: 86-23-8980-9588  
Fax: 86-23-8980-9500

#### China - Dongguan

Tel: 86-769-8702-9880

#### China - Hangzhou

Tel: 86-571-8792-8115  
Fax: 86-571-8792-8116

#### China - Hong Kong SAR

Tel: 852-2943-5100  
Fax: 852-2401-3431

#### China - Nanjing

Tel: 86-25-8473-2460  
Fax: 86-25-8473-2470

#### China - Qingdao

Tel: 86-532-8502-7355  
Fax: 86-532-8502-7205

#### China - Shanghai

Tel: 86-21-5407-5533  
Fax: 86-21-5407-5066

#### China - Shenyang

Tel: 86-24-2334-2829  
Fax: 86-24-2334-2393

#### China - Shenzhen

Tel: 86-755-8864-2200  
Fax: 86-755-8203-1760

#### China - Wuhan

Tel: 86-27-5980-5300  
Fax: 86-27-5980-5118

#### China - Xian

Tel: 86-29-8833-7252  
Fax: 86-29-8833-7256

### ASIA/PACIFIC

#### China - Xiamen

Tel: 86-592-2388138  
Fax: 86-592-2388130

#### China - Zhuhai

Tel: 86-756-3210040  
Fax: 86-756-3210049

#### India - Bangalore

Tel: 91-80-3090-4444  
Fax: 91-80-3090-4123

#### India - New Delhi

Tel: 91-11-4160-8631  
Fax: 91-11-4160-8632

#### India - Pune

Tel: 91-20-3019-1500

#### Japan - Osaka

Tel: 81-6-6152-7160  
Fax: 81-6-6152-9310

#### Japan - Tokyo

Tel: 81-3-6880-3770  
Fax: 81-3-6880-3771

#### Korea - Daegu

Tel: 82-53-744-4301  
Fax: 82-53-744-4302

#### Korea - Seoul

Tel: 82-2-554-7200  
Fax: 82-2-558-5932 or  
82-2-558-5934

#### Malaysia - Kuala Lumpur

Tel: 60-3-6201-9857  
Fax: 60-3-6201-9859

#### Malaysia - Penang

Tel: 60-4-227-8870  
Fax: 60-4-227-4068

#### Philippines - Manila

Tel: 63-2-634-9065  
Fax: 63-2-634-9069

#### Singapore

Tel: 65-6334-8870  
Fax: 65-6334-8850

#### Taiwan - Hsin Chu

Tel: 886-3-5778-366  
Fax: 886-3-5770-955

#### Taiwan - Kaohsiung

Tel: 886-7-213-7828

#### Taiwan - Taipei

Tel: 886-2-2508-8600  
Fax: 886-2-2508-0102

#### Thailand - Bangkok

Tel: 66-2-694-1351  
Fax: 66-2-694-1350

### EUROPE

#### Austria - Wels

Tel: 43-7242-2244-39  
Fax: 43-7242-2244-393

#### Denmark - Copenhagen

Tel: 45-4450-2828  
Fax: 45-4485-2829

#### France - Paris

Tel: 33-1-69-53-63-20  
Fax: 33-1-69-30-90-79

#### Germany - Dusseldorf

Tel: 49-2129-3766400

#### Germany - Karlsruhe

Tel: 49-721-625370

#### Germany - Munich

Tel: 49-89-627-144-0  
Fax: 49-89-627-144-44

#### Italy - Milan

Tel: 39-0331-742611  
Fax: 39-0331-466781

#### Italy - Venice

Tel: 39-049-7625286

#### Netherlands - Drunen

Tel: 31-416-690399  
Fax: 31-416-690340

#### Poland - Warsaw

Tel: 48-22-3325737

#### Spain - Madrid

Tel: 34-91-708-08-90  
Fax: 34-91-708-08-91

#### Sweden - Stockholm

Tel: 46-8-5090-4654

#### UK - Wokingham

Tel: 44-118-921-5800  
Fax: 44-118-921-5820

07/14/15