



Chipsmall Limited consists of a professional team with an average of over 10 year of expertise in the distribution of electronic components. Based in Hongkong, we have already established firm and mutual-benefit business relationships with customers from,Europe,America and south Asia,supplying obsolete and hard-to-find components to meet their specific needs.

With the principle of “Quality Parts,Customers Priority,Honest Operation,and Considerate Service”,our business mainly focus on the distribution of electronic components. Line cards we deal with include Microchip,ALPS,ROHM,Xilinx,Pulse,ON,Everlight and Freescale. Main products comprise IC,Modules,Potentiometer,IC Socket,Relay,Connector.Our parts cover such applications as commercial,industrial, and automotives areas.

We are looking forward to setting up business relationship with you and hope to provide you with the best service and solution. Let us make a better world for our industry!



Contact us

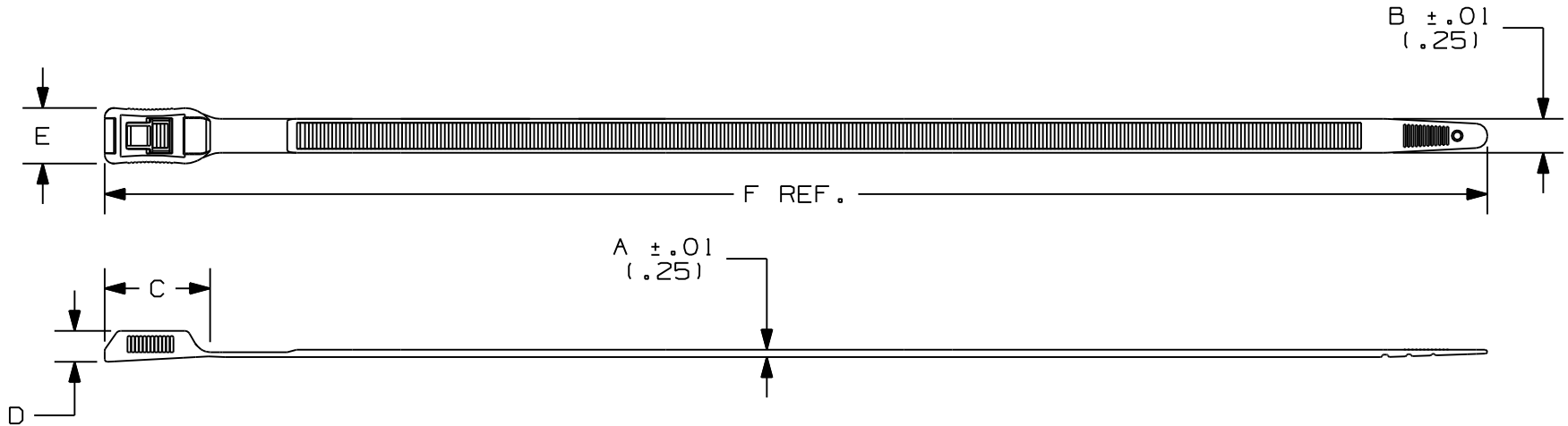
Tel: +86-755-8981 8866 Fax: +86-755-8427 6832

Email & Skype: info@chipsmall.com Web: www.chipsmall.com

Address: A1208, Overseas Decoration Building, #122 Zhenhua RD., Futian, Shenzhen, China



THIS COPY IS PROVIDED ON A RESTRICTED BASIS AND IS NOT TO BE USED IN ANY WAY DETRIMENTAL TO THE INTERESTS OF PANDUIT CORP.



PANDUIT PART NO.	BUNDLE DIA.		A in (mm)	B in (mm)	C in (mm)	D in (mm)	E in (mm)	F in (mm)	MIN. LOOP TENSILE* lbs. (N)	CROSS SECTION	WEIGHT 100 pcs lbs (g)
	MIN. in (mm)	MAX. in (mm)									
HV965	.39 (10)	2.6 (65)	.076 (1.9)	.350 (8.9)	1.093 (27.7)	.318 (8.0)	.571 (14.5)	10.43 (265)	160 (710)	LIGHT HEAVY	1.02 (462)
HV9100	.39 (10)	3.9 (100)	.076 (1.9)	.350 (8.9)	1.093 (27.7)	.318 (8.0)	.571 (14.5)	14.43 (367)	160 (710)	LIGHT HEAVY	1.36 (617)
HV9150	.39 (10)	5.9 (150)	.076 (1.9)	.350 (8.9)	1.093 (27.7)	.318 (8.0)	.571 (14.5)	20.65 (525)	160 (710)	LIGHT HEAVY	1.84 (845)
HV9250	.39 (10)	9.8 (250)	.076 (1.9)	.350 (8.9)	1.093 (27.7)	.318 (8.0)	.571 (14.5)	33.12 (841)	160 (710)	LIGHT HEAVY	2.85 (1295)

* PER SAE AS23190

CONFORMS TO EN50146

- MINIMUM INSTALLATION TEMP: -25°C
- MAXIMUM APPLICATION TEMP: 85°C
- MINIMUM APPLICATION TEMP: -60°C
- MINIMUM LOOP TENSILE STRENGTH: 710N
- FLAME APPLICATION TIME: 10s

CAD FILENAME/LAYERS

DIMENSIONS IN PARENTHESIS ARE IN METRIC

PANDUIT CORP. TINLEY PARK, ILLINOIS

HYPER-V IN-LINE TIE

UNLESS OTHERWISE SPECIFIED,
DIMENSIONAL TOLERANCES ARE:
(.X) ± .1 (XXX) ± .02
(.XX) ± .02 ANGLES ± 5°

UNLESS OTHERWISE SPECIFIED,
ALL DIMENSIONS ARE GIVEN
IN INCHES, THIRD ANGLE PROJECTION.

DRAWN BY
FAB

MAT'L:

SCALE
NONE

DATE
4/07/06

NYLON 6.6

DRAWING NO.
SS-27504

DWG
A
SIZE

4	10/31/06	ERW	?Bck	ADDED EN50146 NOTES	27504	4	?Bck		
REV	DATE	BY	CHK	DESCRIPTION	ECN	R	CUST	SUP	

CHK'D
MDS