



Chipsmall Limited consists of a professional team with an average of over 10 year of expertise in the distribution of electronic components. Based in Hongkong, we have already established firm and mutual-benefit business relationships with customers from,Europe,America and south Asia,supplying obsolete and hard-to-find components to meet their specific needs.

With the principle of “Quality Parts,Customers Priority,Honest Operation,and Considerate Service”,our business mainly focus on the distribution of electronic components. Line cards we deal with include Microchip,ALPS,ROHM,Xilinx,Pulse,ON,Everlight and Freescale. Main products comprise IC,Modules,Potentiometer,IC Socket,Relay,Connector.Our parts cover such applications as commercial,industrial, and automotives areas.

We are looking forward to setting up business relationship with you and hope to provide you with the best service and solution. Let us make a better world for our industry!



Contact us

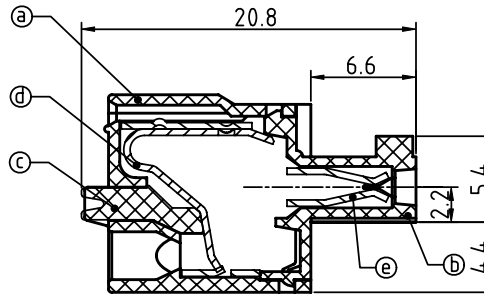
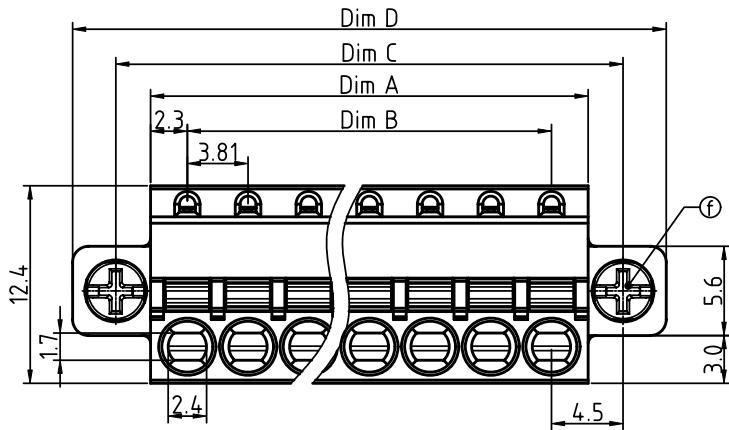
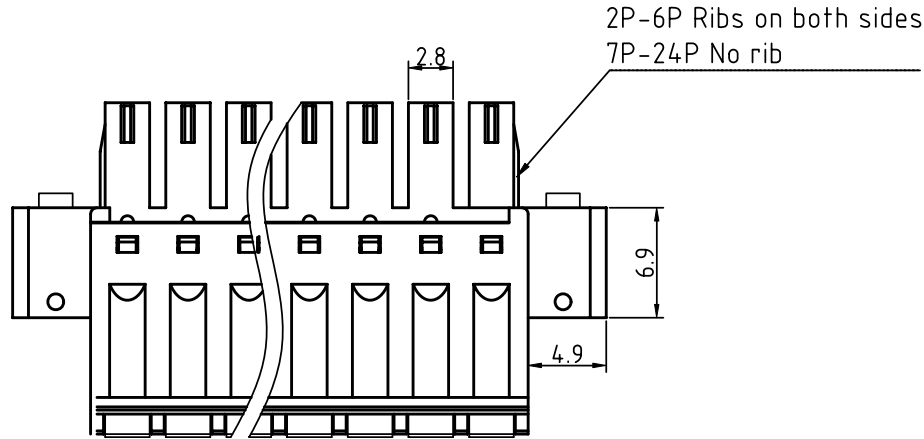
Tel: +86-755-8981 8866 Fax: +86-755-8427 6832

Email & Skype: info@chipsmall.com Web: www.chipsmall.com

Address: A1208, Overseas Decoration Building, #122 Zhenhua RD., Futian, Shenzhen, China



PRODUCT NUMBER	PITCH
HWxx30x200J0G	3.81 mm



Material:

- Item (a) Top body: Thermoplastic (UL94V-0)
- Item (b) Bottom body: Thermoplastic (UL94V-0)
- Item (c) Terminal lever: Thermoplastic (UL94V-0) Orange(RAL2011/P)
- Item (d) Spring clamp: Stainless Steel
- Item (e) Female contact: PhBz (CuSn) Tin plated
- Item (f) Flange screw: Steel M2.5 plated zinc * +/- * combination type

Electrical

- Voltage rating: 300V
- Current rating: 8A
- Solid wire(AWG): 16-28
- Stranded wire(AWG): 16-28
- Wire strip length: 8-9mm
- Withstanding Voltage: 1.6KV
- Operating temperature: -40°C to +115°C
- Safety Approval:

N=Number of poles
 Dim A=Nx3.81+0.80
 Dim B=(N-1)x3.81
 Dim C=(N-1)x3.81+9.0
 Dim D=(N-1)x3.81+14.4

Poles	Tolerance
2P-6P	±0.10
7P-12P	±0.20
13P-18P	±0.30
19P-24P	±0.40

PART NO.: HW xx 3 0 x 2 00J 0 G

- Solid block
 - No. of poles
 - Color
 - RoHS compliant (lead<4% In copper Alloy)
- | | | | |
|-----|----------|---|-------------------|
| 02 | 2 poles | 0 | Black (RAL9005) |
| 03 | 3 poles | 2 | Red (RAL3001/D) |
| ... | ... | 3 | Orange(RAL2011/P) |
| ... | ... | 4 | Yellow(RAL1018/A) |
| 24 | 24 poles | 5 | Green(RAL6018/T) |
| | | 6 | Blue (RAL5015/A) |
| | | 8 | Grey(RAL7035/D) |
| | | 9 | White(RAL1102) |
| | | C | Green(RAL6018/U) |

mat'l. code		surface ASME Y14.5	tolerance ASME Y14.5	projection 	product family TERMINAL BLOCK
ltr	ecn no	dr	date	tolerances unless otherwise specified	title TERMINAL BLOCK
				angles 	scale MM
				X±0.5	type CUSTOMER Drawing
				X.X±0.3	
				X*±1"	
dr	ENGR	chr	appd	EVIN ZHONG 051514	sheet 1 of 1 size A4
				EVIN ZHONG 051514	
				HANKE FENG 051514	
				SHI JUN 051514	
sheet index	revision sheet	A	1		