



Chipsmall Limited consists of a professional team with an average of over 10 year of expertise in the distribution of electronic components. Based in Hongkong, we have already established firm and mutual-benefit business relationships with customers from,Europe,America and south Asia,supplying obsolete and hard-to-find components to meet their specific needs.

With the principle of “Quality Parts,Customers Priority,Honest Operation,and Considerate Service”,our business mainly focus on the distribution of electronic components. Line cards we deal with include Microchip,ALPS,ROHM,Xilinx,Pulse,ON,Everlight and Freescale. Main products comprise IC,Modules,Potentiometer,IC Socket,Relay,Connector.Our parts cover such applications as commercial,industrial, and automotives areas.

We are looking forward to setting up business relationship with you and hope to provide you with the best service and solution. Let us make a better world for our industry!



## Contact us

Tel: +86-755-8981 8866 Fax: +86-755-8427 6832

Email & Skype: info@chipsmall.com Web: www.chipsmall.com

Address: A1208, Overseas Decoration Building, #122 Zhenhua RD., Futian, Shenzhen, China





PRODUCT NUMBER  
20020038-XXXXXXLF

20020038-□ □ □ □ B 0 □ L F

PITCH

G: 5.00 mm  
H: 5.08 mm

POLES

02: 2 POLES  
03: 3 POLES  
.....  
24: 24 POLES

LF : DENOTED RoHS COMPATIBLE

1 : STANDARD PRODUCT  
W/ BOX PACKING

HOUSING CODE

CODE	COLOR	AVAILABILTY
1	GREEN(RAL 6018/T)	STANDARD
2	BLACK	ON REQUEST ONLY
3	GREY(RAL 7004/P)	ON REQUEST ONLY
4	BLUE(RAL 5015/A)	ON REQUEST ONLY

PROPERTY TABLE			
FCI SERIES NAME		35-500	35-508
PITCH (mm)		5.00	5.08
VOLTAGE RATING (VAC)		300	300
CURRENT RATING (A)		10	10
APPLICABLE WIRE RANGE (AWG)	1-WIRE	12~26	12~26
	2-WIRE	NA	NA
WIRE CROSS SECTION (mm <sup>2</sup> )	SOLID	1-WIRE	2.5
		2-WIRE	NA
	STRANDED	1-WIRE	2.5
		2-WIRE	NA
OPENING CONTACT HOUSING(mm <sup>2</sup> )		2.4x3.0	2.2x3.0
WIRE STRIP LENGTH(mm)		8~9	8~9
WITHSTANDING VOLTAGE (kV)		1.6	1.6
OPERATING TEMP. (°C)		-40~+115	-40~+115
POLES AVAILABLE		02~24	02~24
SAFETY CERTIFICATE			

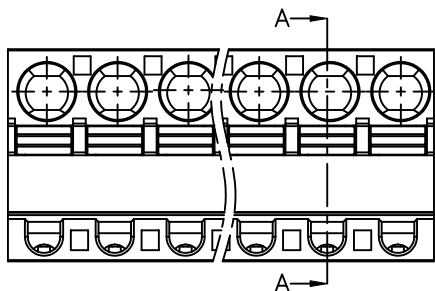
NOTES:

- MATERIALS
  - 1-1 HOUSING: THERMALPLASTIC RESIN, UL 94V-0 RATED.
  - 1-2 INSULATING LEVER: THERMALPLASTIC RESIN, UL 94V-0 RATED.
  - 1-3 WIRE GUARD : STAINLESS STEEL.
  - 1-4 TERMINAL: COPPER ALLOY, TIN PLATED.
- PRODUCT SPECIFICATION REFER TO FCI GS-12-625.
- PRODUCT PACKING SPECIFICATION REFER TO FCI GS-14-1394.
- FCI, SAFETY CERTIFICATE LOGO AND SERIES NAME TO BE SHOWN ON PRODUCT SURFACE.
- THE PRODUCTS WHERE THE PART NUMBER END IN "LF" MEET THE EUROPEAN UNION DIRECTIVE AND OTHER COUNTRY REGULATIONS AS DESCRIBED IN GS-22-008.

mat'l. code		surface ASME Y14.5 ✓		tolerance ASME Y14.5		projection		product family	
ltr		ecn no		dr		date		TERMINAL BLOCK	
A		T11-0004		WL		011811		title	
B		T-005306		WL		082311		TERMINAL BLOCK PLUGGABLE SIGNAL PLUG, DOWNSIDE CONTACT WITHOUT FLANGE	
		angles		tolerances unless otherwise specified		MM		dwg no	
		X°±1'		X.X±0.5		[INCH]		sheet 1 of 3	
				X.XX±0.1		scale		size	
				dr WENDY CHEN 122710				A4	
				enrg JASON HSU 122710				20020038	
				chr JASON HSU 122710				type	
				appd JASON HSU 122710				CUSTOMER Drawing	
sheet index		revision sheet		B 1		B 2		B 3	

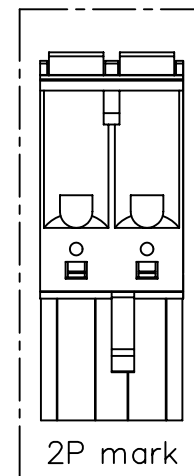
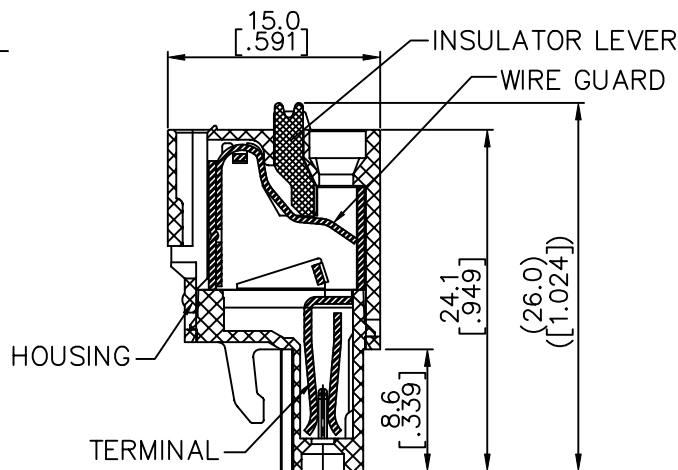
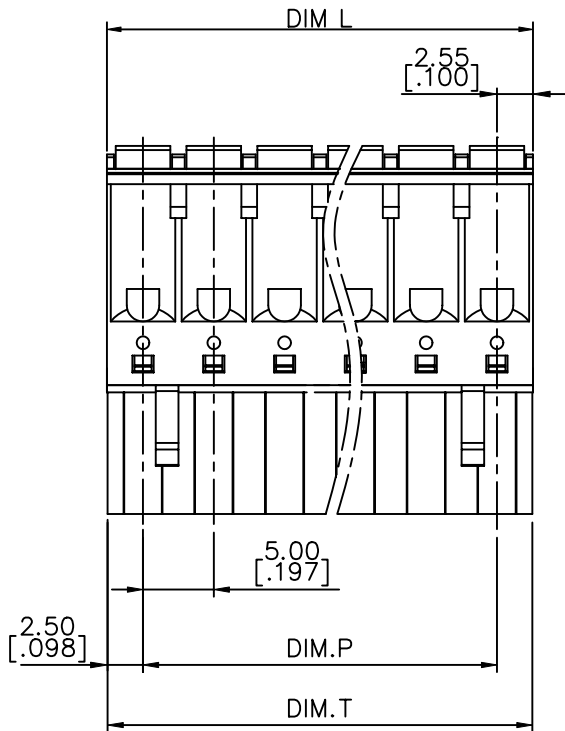


PRODUCT NUMBER	SERIES NAME	PITCH
20020038-GXXXXXL	35-500	5.00 mm



N = Number of poles  
 DIM. L = (N x 5.0 [.197]) + 0.1 [.004]  
 DIM. P = (N - 1) x 5.0 [.197]  
 DIM. T = N x 5.0 [.197]

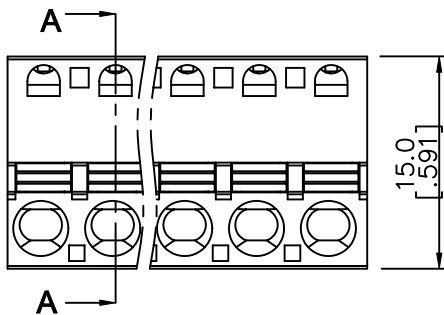
POLES	Dim.L & P & T
2-6p	±0.15 [.006]
7-12p	±0.20 [.008]
13-18p	±0.25 [.010]
19-24p	±0.30 [.012]



mat'l. code		surface ASME Y14.5 ✓	tolerance ASME Y14.5	projection [Symbol]	product family TERMINAL BLOCK
ltr	ecn no	dr	date	title TERMINAL BLOCK PLUGGABLE SIGNAL PLUG, DOWNSIDE CONTACT WITHOUT FLANGE	
B				angles X ± 1°	scale MM [INCH]
				tolerances unless otherwise specified	
				X ± 0.5	
				X.X ± 0.3	
				X.XX ± 0.1	
		dr	WENDY CHEN	122710	dwg no
		enr	JASON HSU	122710	sheet 2 of 3
		chr	JASON HSU	122710	size
		appd	JASON HSU	122710	20020038
					A4
sheet index	revision sheet				type CUSTOMER Drawing

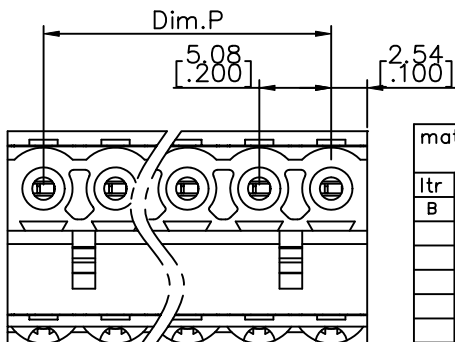
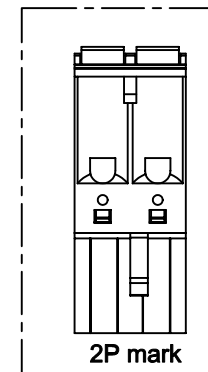
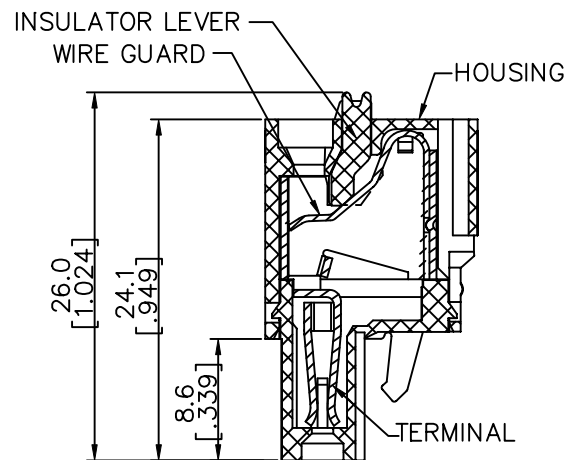
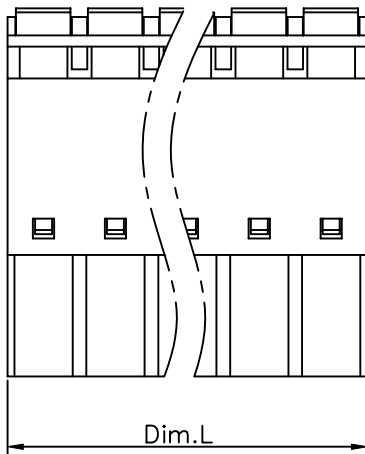
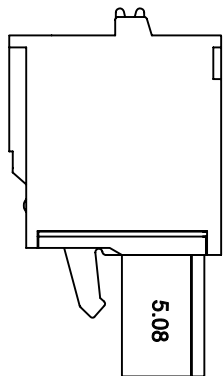


PRODUCT NUMBER	SERIES NAME	PITCH
20020038-HXXXXXLf	35-508	5.08 mm



N = Number of poles  
 DIM. L=(N×5.08 [.200])  
 DIM. P=(N-1)×5.08 [.200]

POLES	DIM. L & P
2-6p	±0.15 [.006]
7-12p	±0.25 [.010]
13-18p	±0.30 [.012]
19-24p	±0.40 [.016]



mat'l. code		surface ASME Y14.5	tolerance ASME Y14.5	projection 	product family TERMINAL BLOCK
ltr	ecn no	dr	date	title TERMINAL BLOCK PLUGGABLE SIGNAL PLUG, DOWNSIDE CONTACT WITHOUT FLANGE	
B				angles X±1°	scale MM [INCH]
				tolerances unless otherwise specified	dwg no 20020038
		dr	WENDY CHEN	122710	sheet 3 of 3 size A4
		enr	JASON HSU	122710	type CUSTOMER Drawing
		chr	JASON HSU	122710	
		appd	JASON HSU	122710	
sheet index	revision sheet				

