



Chipsmall Limited consists of a professional team with an average of over 10 year of expertise in the distribution of electronic components. Based in Hongkong, we have already established firm and mutual-benefit business relationships with customers from,Europe,America and south Asia,supplying obsolete and hard-to-find components to meet their specific needs.

With the principle of “Quality Parts,Customers Priority,Honest Operation,and Considerate Service”,our business mainly focus on the distribution of electronic components. Line cards we deal with include Microchip,ALPS,ROHM,Xilinx,Pulse,ON,Everlight and Freescale. Main products comprise IC,Modules,Potentiometer,IC Socket,Relay,Connector.Our parts cover such applications as commercial,industrial, and automotives areas.

We are looking forward to setting up business relationship with you and hope to provide you with the best service and solution. Let us make a better world for our industry!



Contact us

Tel: +86-755-8981 8866 Fax: +86-755-8427 6832

Email & Skype: info@chipsmall.com Web: www.chipsmall.com

Address: A1208, Overseas Decoration Building, #122 Zhenhua RD., Futian, Shenzhen, China





PRODUCT NUMBER
20020035-XXXXXXLF

20020035-□ □ □ □ B 0 □ L F

PITCH

G: 5.00 mm
H: 5.08 mm

POLES

02: 2 POLES
03: 3 POLES
.....
24: 24 POLES

LF : DENOTED RoHS COMPATIBLE

1 : STANDARD PRODUCT
W/ BOX PACKING

PROPERTY TABLE			
FCI SERIES NAME		35-500	35-508
PITCH (mm)		5.00	5.08
VOLTAGE RATING (VAC)		300	300
CURRENT RATING (A)		10	10
APPLICABLE WIRE RANGE (AWG)	1-WIRE	12~26	12~26
	2-WIRE	NA	NA
WIRE CROSS SECTION (mm ²)	SOLID	1-WIRE	2.5
		2-WIRE	NA
	STRANDED	1-WIRE	2.5
		2-WIRE	NA
OPENING CONTACT HOUSING(mm ²)		2.4x3.0	2.2x3.0
WIRE STRIP LENGTH(mm)		8~9	8~9
WITHSTANDING VOLTAGE (kV)		1.6	1.6
OPERATING TEMP. (°C)		-40~+115	-40~+115
POLES AVAILABLE		02~24	02~24
SAFETY CERTIFICATE			

HOUSING CODE

CODE	COLOR	AVAILABILITY
1	GREEN(RAL 6018/T)	STANDARD
2	BLACK	ON REQUEST ONLY
3	GREY(RAL 7004/P)	ON REQUEST ONLY
4	BLUE(RAL 5015/A)	ON REQUEST ONLY

NOTES:

- MATERIALS
 - 1-1 HOUSING: THERMALPLASTIC RESIN, UL 94V-0 RATED.
 - 1-2 INSULATING LEVER: THERMALPLASTIC RESIN, UL 94V-0 RATED.
 - 1-3 WIRE GUARD : STAINLESS STEEL.
 - 1-4 TERMINAL: COPPER ALLOY, TIN PLATED.
 - 1-5 SCREW: STEEL, ZINC PLATED.
- PRODUCT SPECIFICATION REFER TO FCI GS-12-625.
- PRODUCT PACKING SPECIFICATION REFER TO FCI GS-14-1394.
- FCI, SAFETY CERTIFICATE LOGO AND SERIES NAME TO BE SHOWN ON PRODUCT SURFACE.
- THE PRODUCTS WHERE THE PART NUMBER END IN "LF" MEET THE EUROPEAN UNION DIRECTIVE AND OTHER COUNTRY REGULATIONS AS DESCRIBED IN GS-22-008.

mat'l. code				surface ASME Y14.5 ✓ / tolerance ASME Y14.5		projection		product family TERMINAL BLOCK	
ltr	ecn no	dr	date	tolerances unless otherwise specified				title	
A	T11-0004	WL	011811	angles	X.±0.5	MM		TERMINAL BLOCK	
B	T-005306	WL	082311	tolerances	X.X±0.3	[INCH]		PLUGGABLE SIGNAL PLUG, DOWNSIDE CONTACT W/FLANGE	
				X*±1*	X.XX±0.1	scale		sheet 1 of 3 size	
				dr	WENDY CHEN	113010		dwg no	
				enr	JASON HSU	113010		20020035	
				chr	JASON HSU	113010		A4	
				appd	JASON HSU	113010		type CUSTOMER Drawing	
sheet index	revision sheet	B	B	B	B				
		1	2	3					



Copyright FCI.



FCIconnect.com

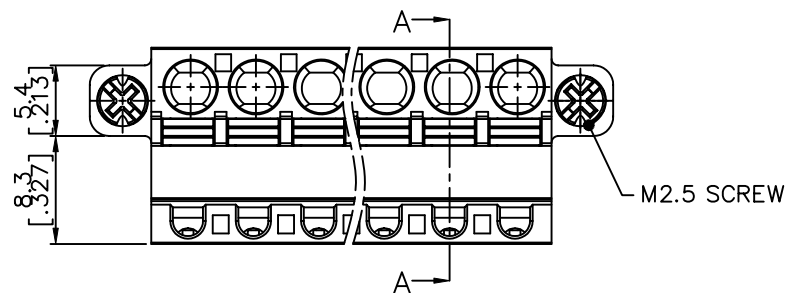


3



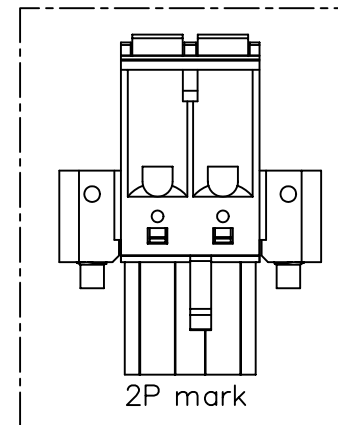
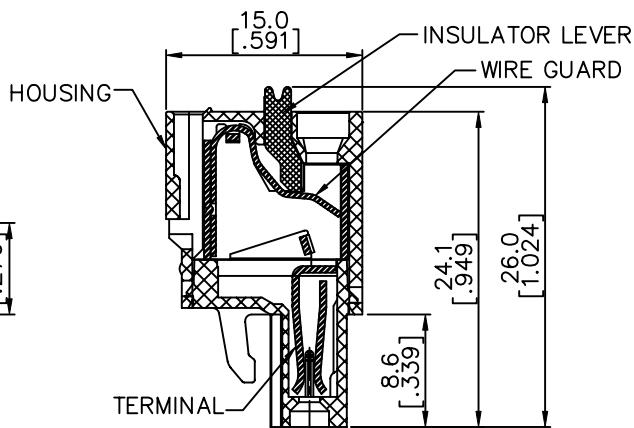
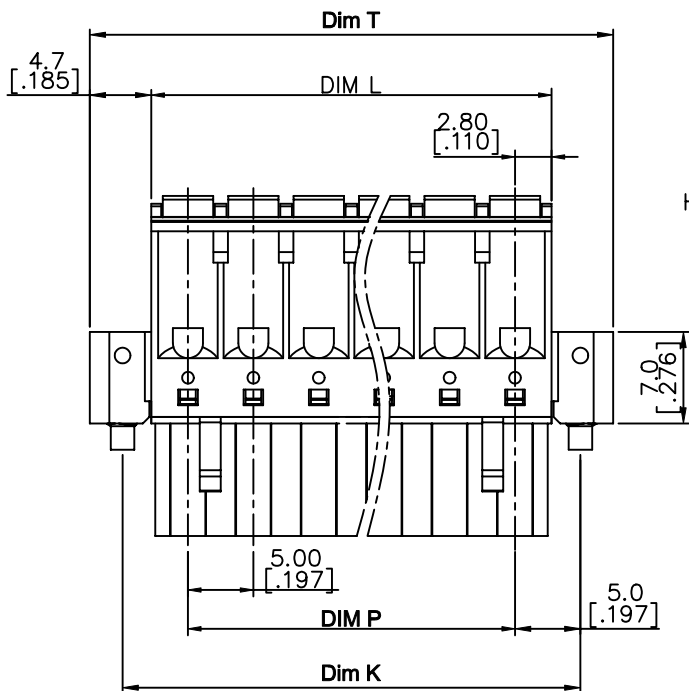
4

PRODUCT NUMBER	SERIES NAME	PITCH
20020035-GXXXXXXLF	35-500	5.00 mm



N = Number of poles
 DIM. L = $(N \times 5.00 [0.197]) + 0.6 [0.024]$
 DIM. P = $(N - 1) \times 5.00 [0.197]$
 DIM. T = $(N \times 5.00 [0.197]) + 10.02 [0.394]$
 DIM. K = $(N + 1) \times 5.00 [0.197]$

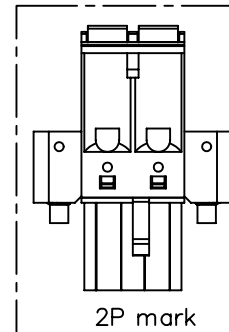
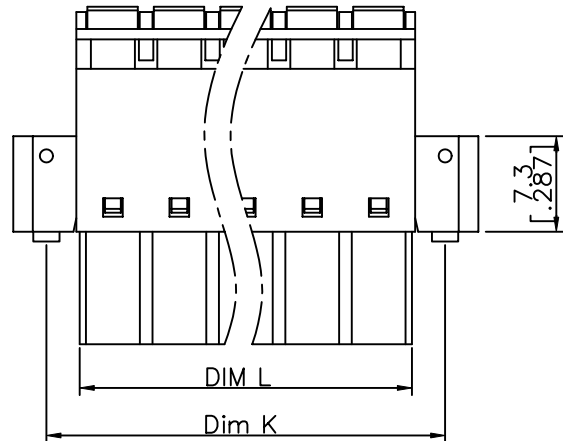
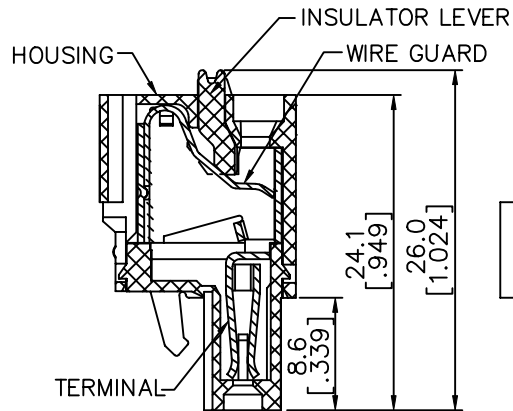
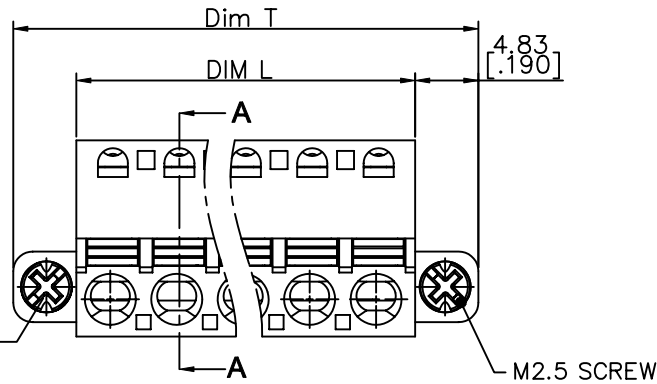
POLES	DIM. L & P	DIM. T & K
2-6p	$\pm 0.15 [0.006]$	$\pm 0.15 [0.006]$
7-12p	$\pm 0.20 [0.008]$	$\pm 0.25 [0.010]$
13-18p	$\pm 0.25 [0.010]$	$\pm 0.30 [0.012]$
19-24p	$\pm 0.30 [0.012]$	$\pm 0.40 [0.016]$



mat'l. code		surface ASME Y14.5	tolerance ASME Y14.5	projection 	product family TERMINAL BLOCK
ltr	ecn no	dr	date	title TERMINAL BLOCK PLUGGABLE SIGNAL PLUG, DOWNSIDE CONTACT W/FLANGE	
B				angles X \pm 1°	scale MM [INCH]
				dr	WENDY CHEN 113010
				enr	JASON HSU 113010
				chr	JASON HSU 113010
				appd	JASON HSU 113010
sheet index	revision sheet				FCI type CUSTOMER Drawing
					dwg no 20020035 sheet 2 of 3 size A4

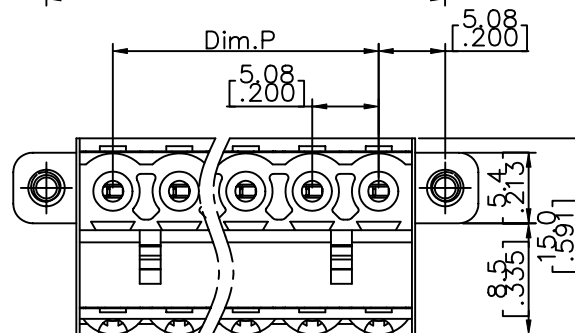


PRODUCT NUMBER	SERIES NAME	PITCH
20020035-HXXXXXLf	35-508	5.08 mm



N = Number of poles
 DIM. L = (N x 5.08 [.200]) + 0.5 [.020]
 DIM. P = (N - 1) x 5.08 [.200]
 DIM. T = (N x 5.08 [.200]) + T0.16 [.400]
 DIM. K = (N + 1) x 5.08 [.200]

POLES	DIM. L & P	DIM. T & K
2-6p	±0.15 [.006]	±0.15 [.006]
7-12p	±0.20 [.008]	±0.25 [.010]
13-18p	±0.25 [.010]	±0.30 [.012]
19-24p	±0.30 [.012]	±0.40 [.016]



mat'l. code		surface ASME Y14.5	tolerance ASME Y14.5	projection	product family TERMINAL BLOCK
ltr	ecn no	dr	date	tolerances unless otherwise specified	title
B				angles X ± 1°	TERMINAL BLOCK PLUGGABLE SIGNAL PLUG, DOWNSIDE CONTACT W/FLANGE
				MM [INCH]	scale
		dr	WENDY CHEN	113010	sheet 3 of 3 size
		enr	JASON HSU	113010	20020035
		chr	JASON HSU	113010	A4
		appd	JASON HSU	113010	type CUSTOMER Drawing
sheet index	revision sheet				

