



Chipsmall Limited consists of a professional team with an average of over 10 year of expertise in the distribution of electronic components. Based in Hongkong, we have already established firm and mutual-benefit business relationships with customers from,Europe,America and south Asia,supplying obsolete and hard-to-find components to meet their specific needs.

With the principle of “Quality Parts,Customers Priority,Honest Operation,and Considerate Service”,our business mainly focus on the distribution of electronic components. Line cards we deal with include Microchip,ALPS,ROHM,Xilinx,Pulse,ON,Everlight and Freescale. Main products comprise IC,Modules,Potentiometer,IC Socket,Relay,Connector.Our parts cover such applications as commercial,industrial, and automotives areas.

We are looking forward to setting up business relationship with you and hope to provide you with the best service and solution. Let us make a better world for our industry!



## Contact us

Tel: +86-755-8981 8866 Fax: +86-755-8427 6832

Email & Skype: info@chipsmall.com Web: www.chipsmall.com

Address: A1208, Overseas Decoration Building, #122 Zhenhua RD., Futian, Shenzhen, China





PRODUCT NUMBER  
20020036-XXXXXXLF

20020036 — □ □ □ □ B 0 □ L F

PITCH

C: 3.50 mm  
D: 3.81 mm  
H: 5.08 mm

POLES

02: 2 POLES  
03: 3 POLES  
.....  
24: 24 POLES

LF : DENOTED RoHS COMPATIBLE

1 : STANDARD PRODUCT  
W/ BOX PACKING

HOUSING CODE

CODE	COLOR	AVAILABILTY
1	GREEN(RAL 6018/T)	STANDARD
2	BLACK	ON REQUEST ONLY
3	GREY(RAL 7004/P)	ON REQUEST ONLY
4	BLUE(RAL 5015/A)	ON REQUEST ONLY

PROPERTY TABLE					
FCI SERIES NAME		35-350	35-381	35-508	
PITCH (mm)		3.50	3.81	5.08	
VOLTAGE RATING (VAC)		300	300	300	
CURRENT RATING (A)		8	8	10	
APPLICABLE WIRE RANGE (AWG)	1-WIRE	16~28	16~28	12~26	
	2-WIRE	NA	NA	NA	
WIRE CROSS SECTION (mm <sup>2</sup> )	SOLID	1-WIRE	1.5	1.5	2.5
		2-WIRE	NA	NA	NA
	STRANDED	1-WIRE	1.5	1.5	2.5
		2-WIRE	NA	NA	NA
OPENING CONTACT HOUSING(mm <sup>2</sup> )		1.6x1.6	2.4x1.7	2.2x2.7	
WIRE STRIP LENGTH(mm)		8~9	8~9	9~10	
WITHSTANDING VOLTAGE (kV)		1.6	1.6	1.6	
OPERATING TEMP. (°C)		-40~+115	-40~+115	-40~+115	
POLES AVAILABLE		02~24	02~24	02~24	
SAFETY CERTIFICATE					

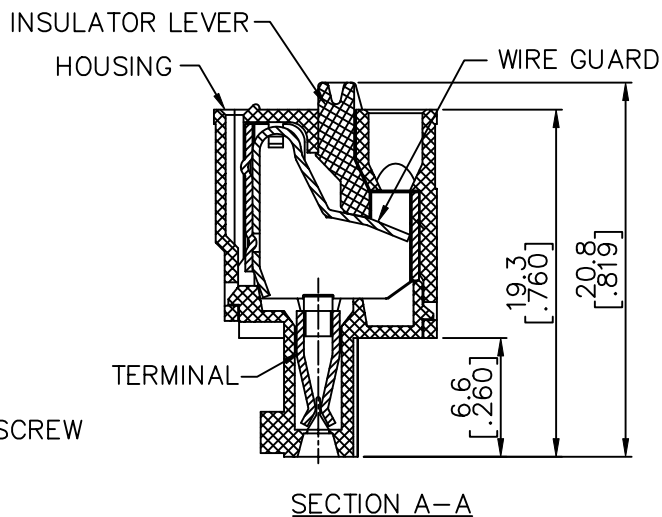
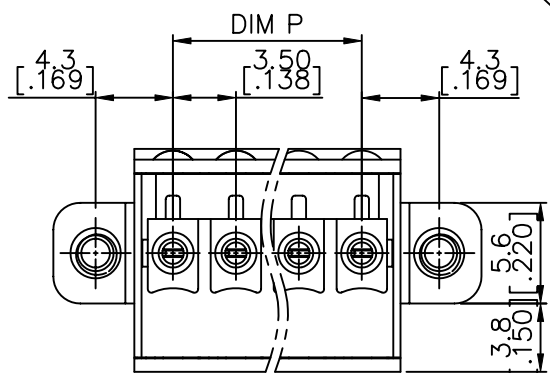
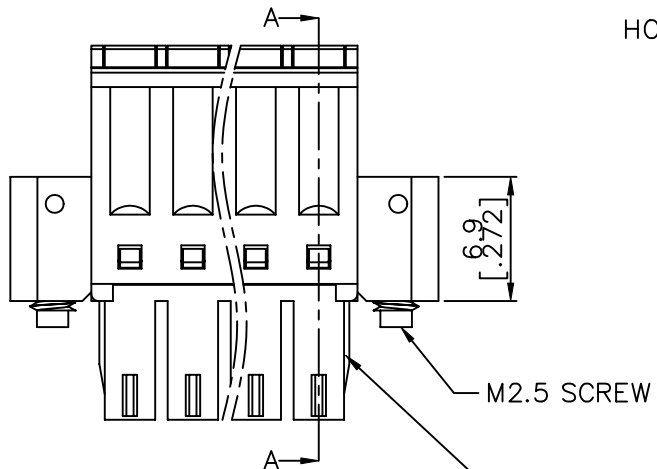
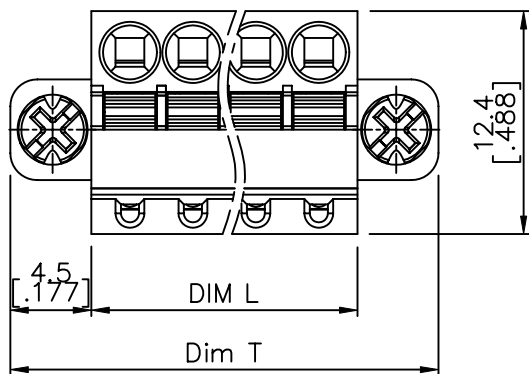
NOTES:

- MATERIALS
  - 1-1 HOUSING: THERMALPLASTIC RESIN, UL 94V-0 RATED.
  - 1-2 INSULATING LEVER: THERMALPLASTIC RESIN, UL 94V-0 RATED.
  - 1-3 WIRE GUARD : STAINLESS STEEL.
  - 1-4 TERMINAL: COPPER ALLOY, TIN PLATED.
  - 1-5 SCREW: STEEL, ZINC PLATED.
- PRODUCT SPECIFICATION REFER TO FCI GS-12-625.
- PRODUCT PACKING SPECIFICATION REFER TO FCI GS-14-1394.
- FCI, SAFETY CERTIFICATE LOGO AND SERIES NAME TO BE SHOWN ON PRODUCT SURFACE.
- THE PRODUCTS WHERE THE PART NUMBER END IN "LF" MEET THE EUROPEAN UNION DIRECTIVE AND OTHER COUNTRY REGULATIONS AS DESCRIBED IN GS-22-008.

mat'l. code		surface ASME Y14.5 ✓		tolerance ASME Y14.5		projection		product family	
ltr		ecn no	dr	date		tolerances unless otherwise specified		TERMINAL BLOCK	
A	T11-0004	WL		011811		X.±0.5		title	
B	T-005306	WL		082311		X.X±0.3		TERMINAL BLOCK	
				angles		X°±1'		PLUGGABLE SIGNAL PLUG, MIDDLESIDE CONTACT W/FLANGE	
						X.XX±0.1		scale	
				dr		WENDY CHEN 122210		dwg no	
				enr		JASON HSU 122210		sheet 1 of 4	
				chr		JASON HSU 122210		size	
				appd		JASON HSU 122210		A4	
sheet index		revision sheet		B 1		B 2		type	
				B 3		B 4		CUSTOMER Drawing	



PRODUCT NUMBER	SERIES NAME	PITCH
20020036-CXXXXXLf	35-350	3.50 mm



N = Number of poles  
 DIM. L = (N x 3.5 [.138]) + 0.8 [.031]  
 DIM. P = (N - 1) x 3.5 [.138]  
 DIM. T = N x 3.5 [.138] + 9.8 [.386]

POLES	DIM. L & P	DIM. T
2-6p	±0.10 [.004]	±0.15 [.006]
7-12p	±0.15 [.006]	±0.20 [.008]
13-18p	±0.20 [.008]	±0.30 [.012]
19-24p	±0.30 [.012]	±0.40 [.016]

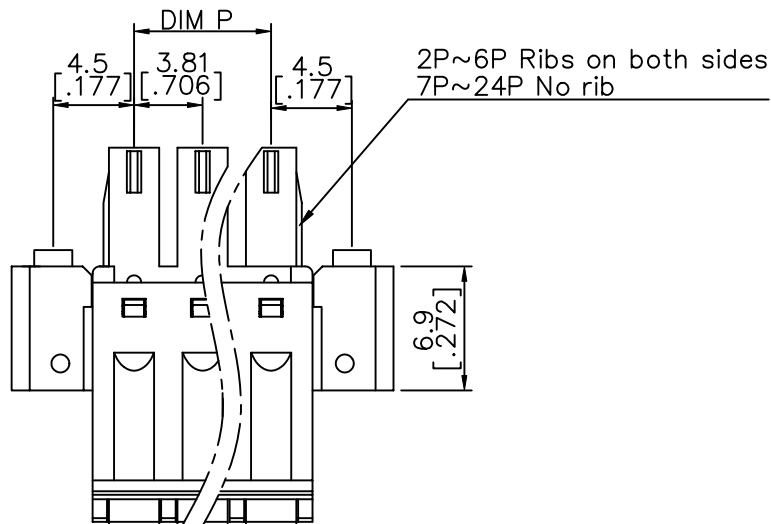
2P~6P Ribs on both sides  
 7P~24P No rib

mat'l. code		surface ASME Y14.5	tolerance ASME Y14.5	projection 	product family TERMINAL BLOCK
ltr	ecn no	dr	date	tolerances unless otherwise specified	title
B				angles X ± 0.5 X.X ± 0.3 X.XX ± 0.1	TERMINAL BLOCK PLUGGABLE SIGNAL PLUG, MIDDLESIDE CONTACT W/FLANGE
				scale	dwg no
		dr	WENDY CHEN	122210	sheet 2 of 4 size
		enr	JASON HSU	122210	20020036
		chr	JASON HSU	122210	A4
		appd	JASON HSU	122210	type
					CUSTOMER Drawing
sheet index	revision sheet				



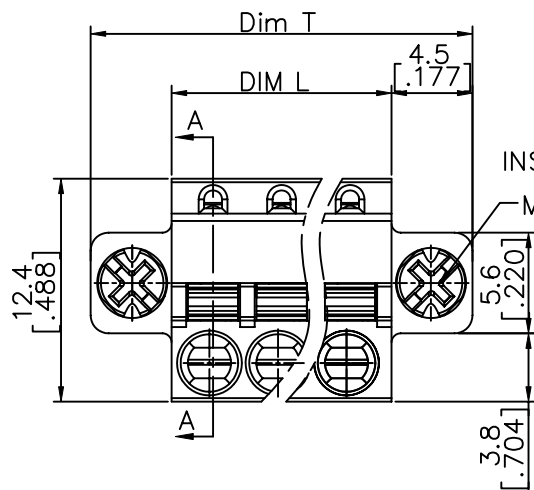


PRODUCT NUMBER	SERIES NAME	PITCH
20020036-DXXXXXLF	35-381	3.81 mm

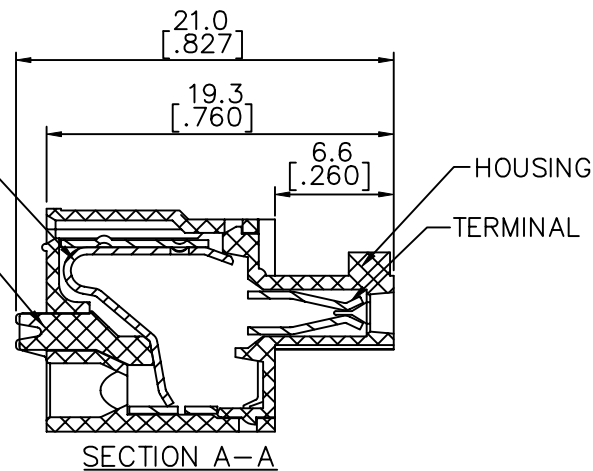


N = Number of poles  
 DIM. L=(N×3.81[.150])+0.8[.031]  
 DIM. P=(N-1)×3.81[.150]  
 DIM. T=N×3.81[.150]+9.8[.386]

POLES	DIM. L & P	DIM. T
2-6p	±0.15[.006]	±0.15[.006]
7-12p	±0.20[.008]	±0.20[.008]
13-18p	±0.30[.012]	±0.30[.012]
19-24p	±0.40[.016]	±0.40[.016]

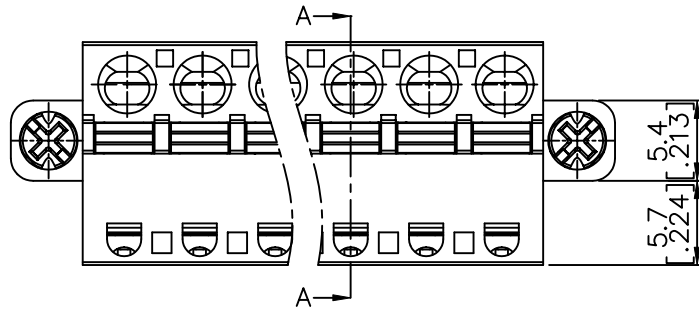


WIRE GUARD  
 INSULATOR LEVER  
 M2.5 SCREW



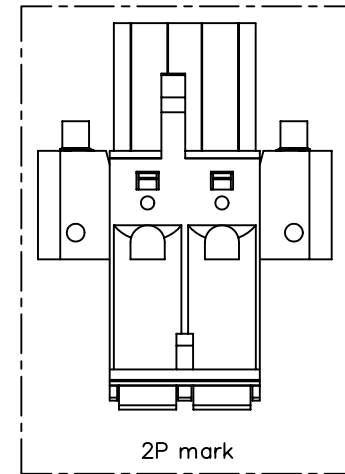
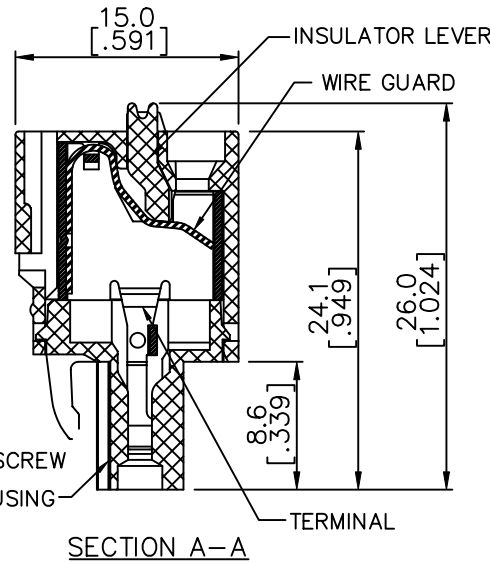
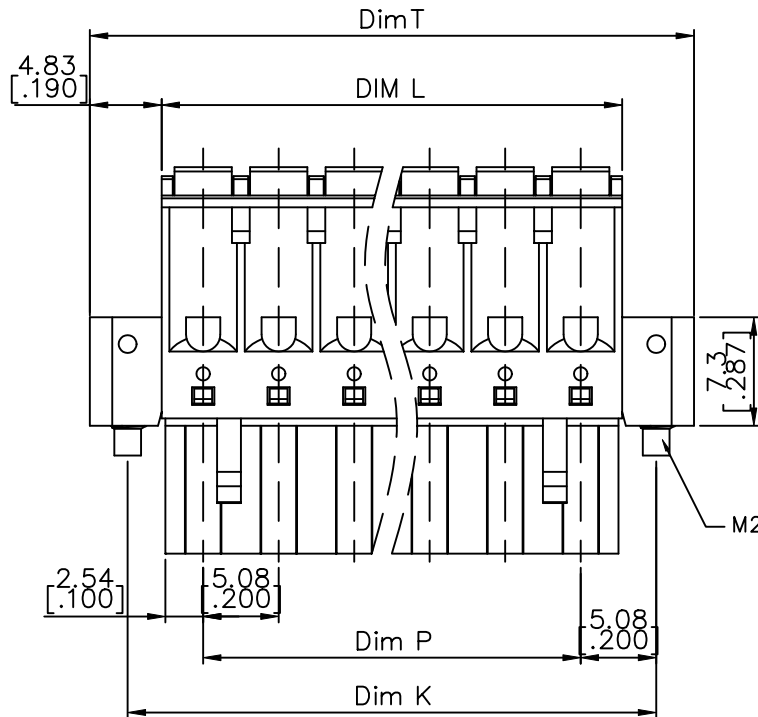
mat'l. code		surface ASME Y14.5 ✓	tolerance ASME Y14.5	projection 	product family TERMINAL BLOCK
ltr	ecn no	dr	date	title TERMINAL BLOCK PLUGGABLE SIGNAL PLUG, MIDDLESIDE CONTACT W/FLANGE	
B				angles X°±1'	scale MM [INCH]
				int	
				X.XX±0.1	dwg no 20020036
		dr	WENDY CHEN 122210		sheet 3 of 4 size A4
		enr	JASON HSU 122210		type CUSTOMER Drawing
		chr	JASON HSU 122210		
		appd	JASON HSU 122210		
sheet index	revision sheet				

PRODUCT NUMBER	SERIES NAME	PITCH
20020036-HXXXXXLF	35-508	5.08 mm



N = Number of poles  
 DIM. L=(N×5.08[.200])+0.5[.020]  
 DIM. P=(N-1)×5.08[.200]  
 DIM. T=N×5.08[.200]+10.16[.400]  
 DIM. K=(N+1)×5.08[.200]

POLES	Dim.L & P & T & K
2-6p	±0.15[.006]
7-12p	±0.20[.008]
13-16p	±0.30[.012]
17-24p	±0.40[.016]



mat'l. code		surface ASME Y14.5	tolerance ASME Y14.5	projection MM	product family TERMINAL BLOCK
ltr		ecn no dr date		title TERMINAL BLOCK PLUGGABLE SIGNAL PLUG, MIDDLESIDE CONTACT W/FLANGE	
B		angles X°±1°		scale	
		tolerances unless otherwise specified		MM	
		X.X±0.5		MM	
		X.XX±0.3		MM	
		X.XX±0.1		MM	
		dr WENDY CHEN 122210		FCI	
		enr JASON HSU 122210		dwg no 20020036	
		chr JASON HSU 122210		sheet 4 of 4 size A4	
		appd JASON HSU 122210		type CUSTOMER Drawing	
sheet index	revision sheet				