



Chipsmall Limited consists of a professional team with an average of over 10 year of expertise in the distribution of electronic components. Based in Hongkong, we have already established firm and mutual-benefit business relationships with customers from,Europe,America and south Asia,supplying obsolete and hard-to-find components to meet their specific needs.

With the principle of "Quality Parts,Customers Priority,Honest Operation,and Considerate Service",our business mainly focus on the distribution of electronic components. Line cards we deal with include Microchip,ALPS,ROHM,Xilinx,Pulse,ON,Everlight and Freescale. Main products comprise IC,Modules,Potentiometer,IC Socket,Relay,Connector.Our parts cover such applications as commercial,industrial, and automotives areas.

We are looking forward to setting up business relationship with you and hope to provide you with the best service and solution. Let us make a better world for our industry!



## Contact us

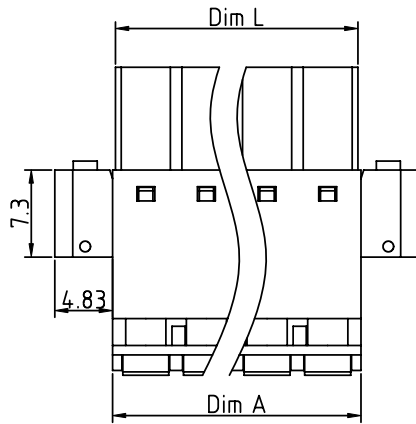
Tel: +86-755-8981 8866 Fax: +86-755-8427 6832

Email & Skype: info@chipsmall.com Web: www.chipsmall.com

Address: A1208, Overseas Decoration Building, #122 Zhenhua RD., Futian, Shenzhen, China



PRODUCT NUMBER	PITCH
HWxx50x200J0G	5.08 mm

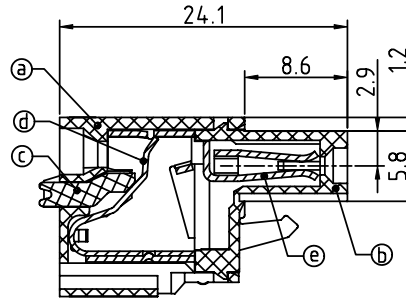
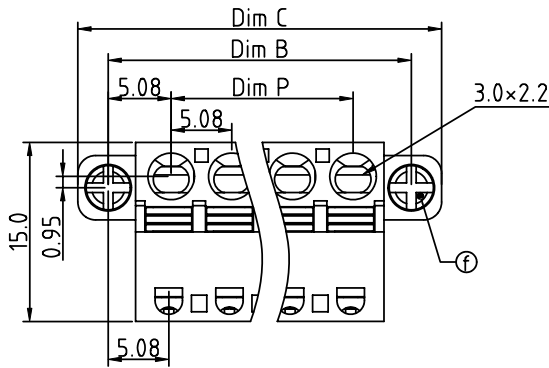
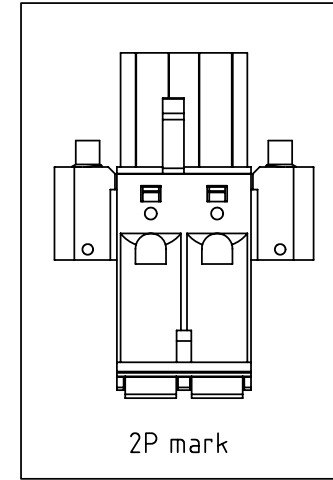


N=Number of Poles  
 Dim P=(N-1)×5.08  
 Dim L=N×5.08  
 Dim A=N×5.08+0.5  
 Dim B=(N-1)×5.08+10.16  
 Dim C=(N-1)×5.08+15.24

Poles	Dim L	Dim P	Dim A	Dim B	Dim C
2P-6P	±0.15	±0.10	±0.15	±0.10	±0.15
7P-12P	±0.20	±0.15	±0.20	±0.15	±0.20
13P-18P	±0.25	±0.20	±0.25	±0.20	±0.25
19P-24P	±0.30	±0.25	±0.30	±0.25	±0.30

PART NO.: HW xx 50 x 2 00J0 G

Solid block	No. of poles	Color	RoHS compliant (lead<4%) In copper Alloy
0	2	Black (RAL9005)	
02	2 poles	Red (RAL3001/D)	
03	3 poles	Orange(RAL2011/P)	
...	...	4 Yellow(RAL1018/A)	
5	5	Green(RAL6018/T)	
24	24 poles	6 Blue (RAL5015/A)	
		8 Grey(RAL7035/D)	
		9 White(RAL1102)	
		C Green(RAL6018/U)	

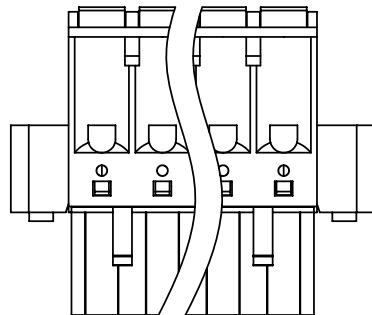


Material:

- Item@Top body:Thermoplastic ( UL94V-0 )
- Item@Bottom body:Thermoplastic ( UL94V-0 )
- Item@Terminal lever:Thermoplastic ( UL94V-0 ) Orange(RAL2011/P)
- Item@Spring clamp:Stainless Steel
- Item@Female contact:PhBz ( CuSn ) Tin plated
- Item@Flange screw:Steel M2.5 plated zinc

Electrical cULus

- Voltage rating:300V
- Current rating:10A
- Solid wire(AWG):12-26
- Stranded wire(AWG):12-26
- Wire strip length:8-9mm
- Withstanding Voltage:1.6KV
- Operating temperature: -40°C to +115°C
- Safety Approval:



mat'l. code		surface ASME Y14.5 ✓	tolerance ASME Y14.5	projection	product family	
ltr ecn no dr date		tolerances unless otherwise specified			TERMINAL BLOCK	
		angles	X.±0.5	MM	title	
		X*±1°	X.X±0.3	scale	TERMINAL BLOCK	
		dr	EVIN ZHONG 051514		SPRING CLAMP, PLUGGABLE PLUG, WITH FLANGE CONTACT ON DOWN SIDE	
		enr	EVIN ZHONG 051514		dwg no	
		chr	HANKE FENG 051514		sheet 1 of 1	size
		appd	SHI JUN 051514		HWxx50x200J0G	A4
sheet index	revision sheet	A	1		type	
					CUSTOMER Drawing	