



Chipsmall Limited consists of a professional team with an average of over 10 year of expertise in the distribution of electronic components. Based in Hongkong, we have already established firm and mutual-benefit business relationships with customers from,Europe,America and south Asia,supplying obsolete and hard-to-find components to meet their specific needs.

With the principle of "Quality Parts,Customers Priority,Honest Operation,and Considerate Service",our business mainly focus on the distribution of electronic components. Line cards we deal with include Microchip,ALPS,ROHM,Xilinx,Pulse,ON,Everlight and Freescale. Main products comprise IC,Modules,Potentiometer,IC Socket,Relay,Connector.Our parts cover such applications as commercial,industrial, and automotives areas.

We are looking forward to setting up business relationship with you and hope to provide you with the best service and solution. Let us make a better world for our industry!



## Contact us

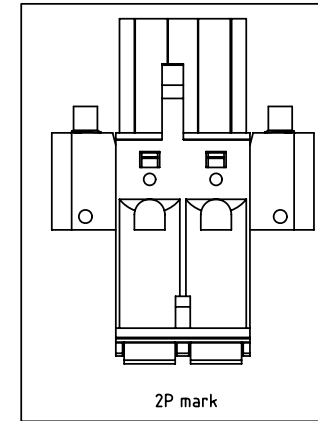
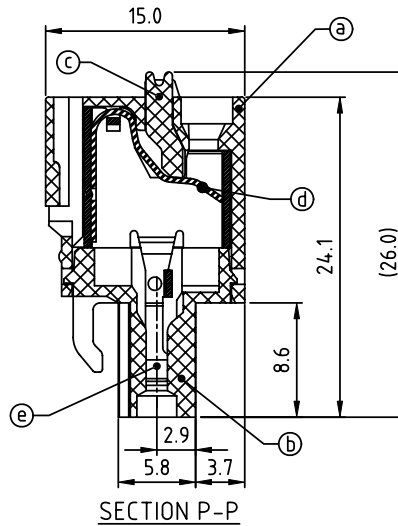
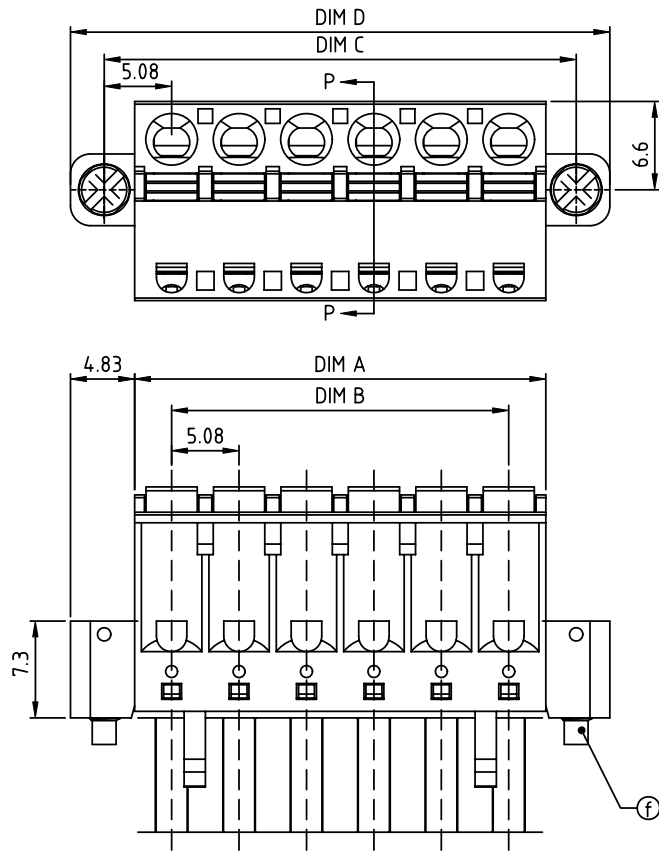
Tel: +86-755-8981 8866 Fax: +86-755-8427 6832

Email & Skype: info@chipsmall.com Web: www.chipsmall.com

Address: A1208, Overseas Decoration Building, #122 Zhenhua RD., Futian, Shenzhen, China



PRODUCT NUMBER	PITCH
HWxx50x500J0G	5.08 mm



Material:

- Item①Top body:Thermoplastic ( UL94V-0 )
- Item②Bottom body:Thermoplastic ( UL94V-0 )
- Item③Terminal lever:Thermoplastic ( UL94V-0 ) Orange(RAL2011/P)
- Item④Spring clamp:Stainless Steel
- Item⑤Female contact:PhBz ( CuSn ) Tin plated
- Item⑥Flange screw:Steel Zinc plating M2.5 solt "+/-"combination type

Electrical cULus

- Voltage rating:300V
- Current rating:10A
- Solid wire(AWG):12-26
- Stranded wire(AWG):12-26
- Wire strip length:9-10mm
- Withstanding Voltage:1.6KV
- Operating temperature:-40°C to +115°C

Dimension  
 DIM A=N×5.08+0.5  
 DIM B=(N-1)×5.08  
 DIM C=(N-1)×5.08+10.16  
 DIM D=(N-1)×5.08+15.24  
 N=Number of poles

POLES	Tolerance
2p-6p	±0.15
7p-12p	±0.20
13p-16p	±0.30
17p-24p	±0.40

PART NO.: HW xx 50 x 5 00J0 G

Solid block	No. of poles	Color	RoHS compliant (lead<4%) In copper Alloy
0	2	Black (RAL9005)	
2	3	Red (RAL3001/D)	
3	4	Orange(RAL2011/P)	
4	5	Yellow(RAL1018/A)	
5	6	Green(RAL6018/T)	
6	8	Blue (RAL5015/A)	
7	9	Grey(RAL7035/D)	
8	9	White(RAL1102)	
9	24	Green(RAL6018/U)	

mat'l. code		surface ASME Y14.5	tolerance ASME Y14.5	projection	product family TERMINAL BLOCK
ltr	ecn no	dr	date	tolerances unless otherwise specified	title TERMINAL BLOCK SPRING CLAMP, PLUGGABLE PLUG, WITH FLANGE CONTACT IN THE MIDDLE SIDE
				angles X±1°	scale
				dr EVIN ZHONG 051514	dwg no HWxx50x500J0G
				enrg EVIN ZHONG 051514	sheet 1 of 1 size A4
				chr HANKE FENG 051514	type CUSTOMER Drawing
				appd SHI JUN 051514	
sheet index	revision sheet	A	1		