



Chipsmall Limited consists of a professional team with an average of over 10 year of expertise in the distribution of electronic components. Based in Hongkong, we have already established firm and mutual-benefit business relationships with customers from,Europe,America and south Asia,supplying obsolete and hard-to-find components to meet their specific needs.

With the principle of “Quality Parts,Customers Priority,Honest Operation,and Considerate Service”,our business mainly focus on the distribution of electronic components. Line cards we deal with include Microchip,ALPS,ROHM,Xilinx,Pulse,ON,Everlight and Freescale. Main products comprise IC,Modules,Potentiometer,IC Socket,Relay,Connector.Our parts cover such applications as commercial,industrial, and automotives areas.

We are looking forward to setting up business relationship with you and hope to provide you with the best service and solution. Let us make a better world for our industry!



## Contact us

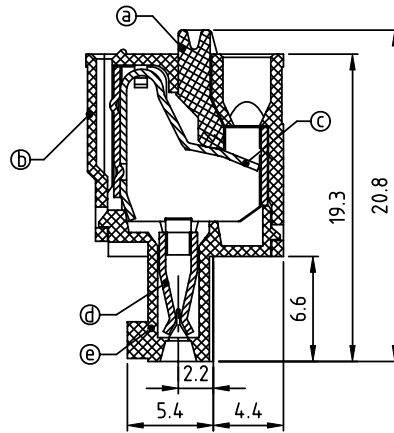
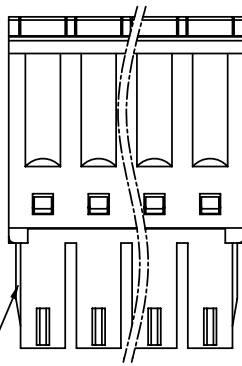
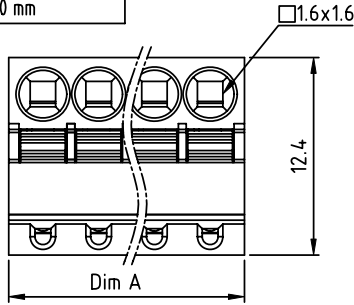
Tel: +86-755-8981 8866 Fax: +86-755-8427 6832

Email & Skype: info@chipsmall.com Web: www.chipsmall.com

Address: A1208, Overseas Decoration Building, #122 Zhenhua RD., Futian, Shenzhen, China



PRODUCT NUMBER	PITCH
HWxx10x000J0G	3.50 mm



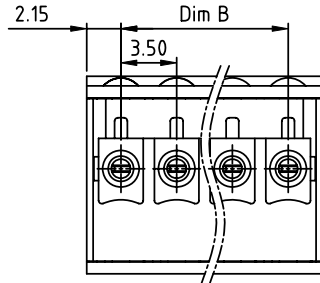
Material:

- Item (a) Terminal lever: Thermoplastic (UL94V-0) Orange(RAL2011/P)
- Item (b) Top body: Thermoplastic (UL94V-0)
- Item (c) Spring clamp: Stainless steel
- Item (d) Female contact: PhBz. ( CuSn ), Tin plated
- Item (e) Bottom body: Thermoplastic (UL94V-0)

Electrical:

- Voltage rating: 300 V
- Current rating: 8 A
- Wire range:
  - Solid wire(AWG): 16-28
  - Stranded wire(AWG): 16-28
- Wire strip length: 8-9 mm
- Withstanding Voltage: 1.6 KV
- Operating temperature: -40°C to +115°C
- Safety Approval: cULus

2p to 6p with wedge, above 7p without wedge (including 7p)



PART NO.: HW xx 1 0 x 0 00J 0 G

N = Number of poles  
 Dim A =  $N \times 3.50 + 0.80$   
 Dim B =  $(N - 1) \times 3.50$

Poles	Tolerance
2P-6P	±0.10
7P-12P	±0.15
13P-18P	±0.20
19P-24P	±0.30

Solid block	No. of poles	Color
0	2	Black (RAL9005)
02	2 poles	Red (RAL3001/D)
03	3 poles	Orange (RAL2011/P)
...	...	4 Yellow (RAL1018/A)
5	5 poles	Green (RAL6018/T)
24	24 poles	6 Blue (RAL5015/A)
8	8 poles	Grey (RAL7035/D)
9	9 poles	White (RAL1102)
C	C poles	Green (RAL6018/U)

RoHS compliant (lead < 4%)  
In copper Alloy

mat'l. code		surface ASME Y14.5 ✓	tolerance ASME Y14.5	projection 	product family TERMINAL BLOCK
ltr	ecn no	dr	date	tolerances unless otherwise specified	title TERMINAL BLOCK
				angles 	scale MM
				$X \pm 0.5$	SPRING CLAMP, PLUGGABLE PLUG
				$X.X \pm 0.3$	dwg no HWxx10x000J0G
				$X \pm 1^*$	sheet 1 of 1 size A4
		dr	EVIN ZHONG	051514	FCI logo
		enr	EVIN ZHONG	051514	type CUSTOMER Drawing
		chr	HANKE FENG	051514	
		appd	SHI JUN	051514	
sheet index	revision	A			
	sheet	1			