



Chipsmall Limited consists of a professional team with an average of over 10 year of expertise in the distribution of electronic components. Based in Hongkong, we have already established firm and mutual-benefit business relationships with customers from,Europe,America and south Asia,supplying obsolete and hard-to-find components to meet their specific needs.

With the principle of “Quality Parts,Customers Priority,Honest Operation,and Considerate Service”,our business mainly focus on the distribution of electronic components. Line cards we deal with include Microchip,ALPS,ROHM,Xilinx,Pulse,ON,Everlight and Freescale. Main products comprise IC,Modules,Potentiometer,IC Socket,Relay,Connector.Our parts cover such applications as commercial,industrial, and automotives areas.

We are looking forward to setting up business relationship with you and hope to provide you with the best service and solution. Let us make a better world for our industry!



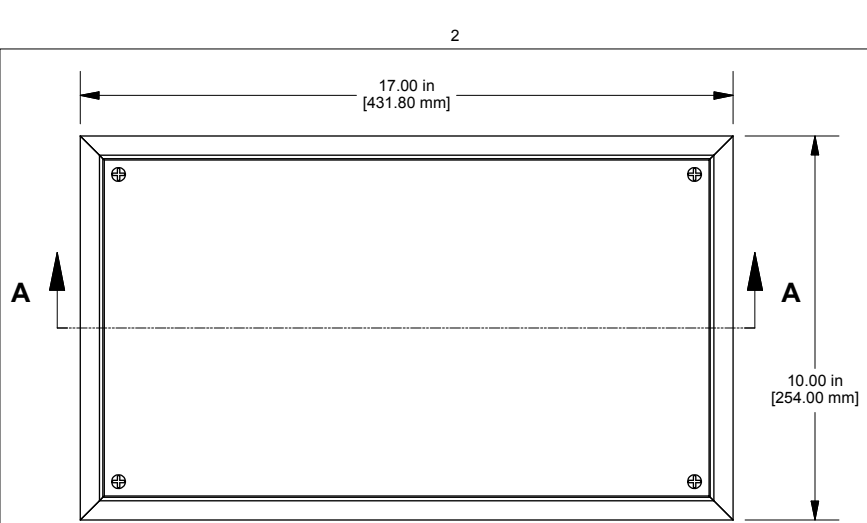
## Contact us

Tel: +86-755-8981 8866 Fax: +86-755-8427 6832

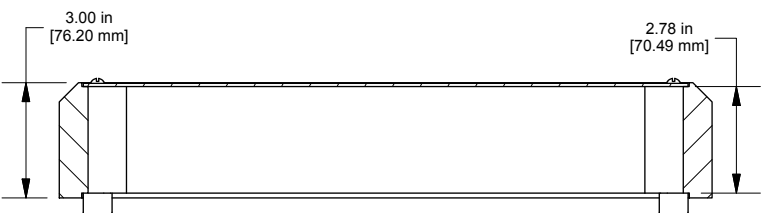
Email & Skype: info@chipsmall.com Web: www.chipsmall.com

Address: A1208, Overseas Decoration Building, #122 Zhenhua RD., Futian, Shenzhen, China

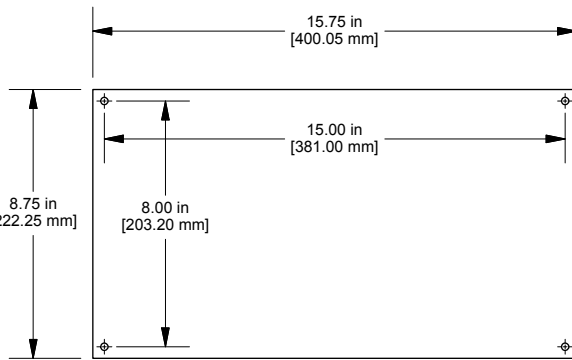




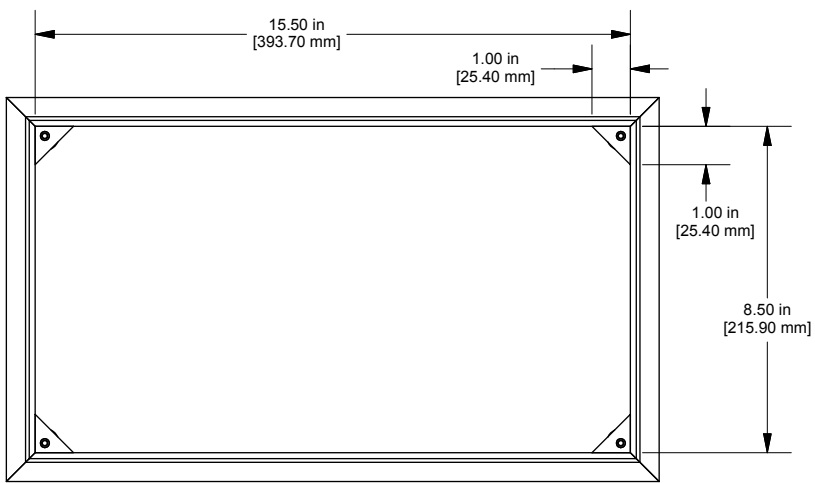
**Assembly - Top View**



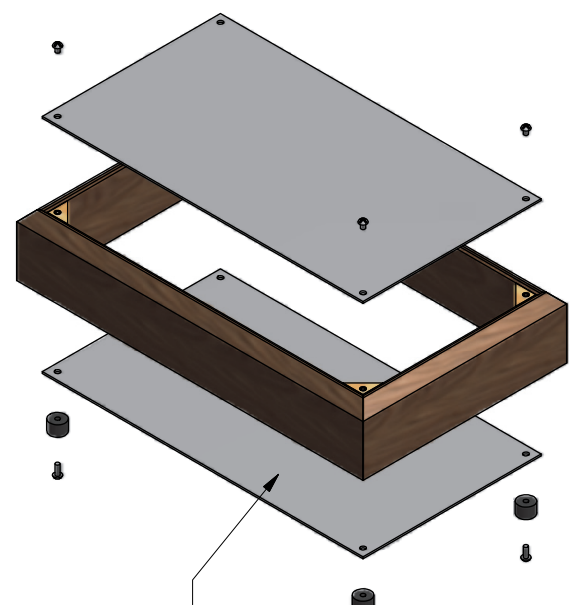
**SECTION A-A**



**Panel**



**Chassis Inside View**



**BOTTOM PANEL  
SOLD SEPARATELY**

NOTE	
Purchased Assembly Includes Solid Walnut Frame, Steel Or Aluminum Top Panel, Rubber Feet And 8 Assembly Screws. Bottom Panel Sold Separately	
PART NUMBERS	
WALNUT CHASSIS	
Assembled Chassis - 17" x 10"	CHASSIS17
ACCESSORIES	
FSPE628-507 8-32 INSERT	HWINSERT
#8-32 X 5/16 MS TRUSS PHIL 18-8	SC1440
HW CHASSIS RUBBER FT SET	SC1440-C
17" x 10" BOX PANEL (ALUMINUM)	COM56813-1

Enclosures can be Factory Modified ( Milling, Drilling, Printing etc. )  
Solid models of this enclosure available in STEP or IGES.  
Contact Factory [mjm@hammondmfg.com](mailto:mjm@hammondmfg.com)

**HAMMOND  
MANUFACTURING™**

**HWCHAS1710AL**

[www.hammondmfg.com](http://www.hammondmfg.com)