



Chipsmall Limited consists of a professional team with an average of over 10 year of expertise in the distribution of electronic components. Based in Hongkong, we have already established firm and mutual-benefit business relationships with customers from,Europe,America and south Asia,supplying obsolete and hard-to-find components to meet their specific needs.

With the principle of “Quality Parts,Customers Priority,Honest Operation,and Considerate Service”,our business mainly focus on the distribution of electronic components. Line cards we deal with include Microchip,ALPS,ROHM,Xilinx,Pulse,ON,Everlight and Freescale. Main products comprise IC,Modules,Potentiometer,IC Socket,Relay,Connector.Our parts cover such applications as commercial,industrial, and automotives areas.

We are looking forward to setting up business relationship with you and hope to provide you with the best service and solution. Let us make a better world for our industry!



Contact us

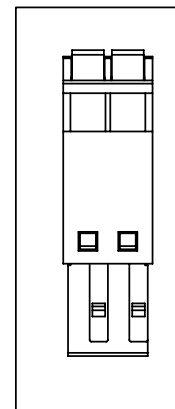
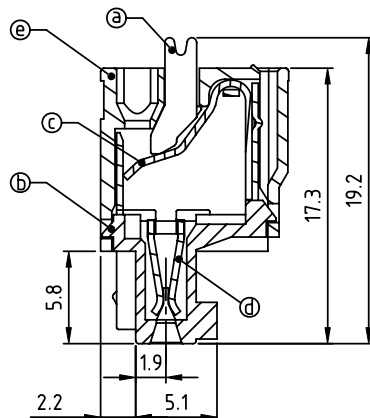
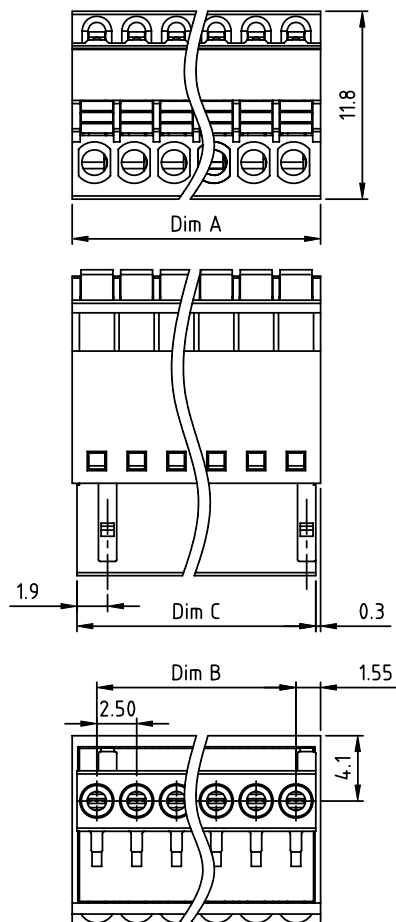
Tel: +86-755-8981 8866 Fax: +86-755-8427 6832

Email & Skype: info@chipsmall.com Web: www.chipsmall.com

Address: A1208, Overseas Decoration Building, #122 Zhenhua RD., Futian, Shenzhen, China



PRODUCT NUMBER	PITCH
HWxxB0x000J0G	2.50 mm



2P

Material:

- Item ① Insulator (lever): Thermoplastic (UL94 V-0) Orange (RAL2011/P)
- Item ② Bottom body: Thermoplastic (UL94 V-0)
- Item ③ Spring clamp: Stainless steel
- Item ④ Female contact: PhBz. Tin plated
- Item ⑤ Top body: Thermoplastic (UL94 V-0)

Electrical:

- Voltage rating: 150V
- Current rating: 4A
- Wire range:
- Solid wire (AWG): 20-28
- Stranded wire (AWG): 20-28
- Wire strip length: 7-8mm
- Withstanding Voltage: 1.3KV
- Operating temperature: -40°C to +115°C
- Safety Approval:

PART NO.: HW xx B 0 x 0 00J 0 G

N=NUMBER OF POLES

Dim A=N×2.50+0.60
Dim B=(N-1)×2.50
Dim C=N×2.50

Poles	Tolerance
2P-6P	±0.10
7P-12P	±0.15
13P-18P	±0.20
19P-24P	±0.30

	Color	RoHS compliant (lead<4%) In copper Alloy
Solid block	0 Black (RAL9005)	
No. of poles	2 Red (RAL3001/D)	
02 2 poles	3 Orange (RAL2011/P)	
03 3 poles	4 Yellow (RAL1018/A)	
...	5 Green (RAL6018/T)	
24 24 poles	6 Blue (RAL5015/A)	
	8 Grey (RAL7035/D)	
	9 White (RAL1102)	
	C Green (RAL6018/U)	

mat'l. code		surface ASME Y14.5 ✓	tolerance ASME Y14.5	projection	product family
ltr	ecn no	dr	date		TERMINAL BLOCK
				tolerances unless otherwise specified	title
				angles	TERMINAL BLOCK
				$X \pm 0.5$	SPRING CLAMP, PLUGGABLE PLUG
				$X.X \pm 0.3$	scale
				$X^* \pm 1^*$	MM
		dr	EVIN ZHONG	051514	dwg no
		enr	EVIN ZHONG	051514	sheet 1 of 1
		chr	HANKE FENG	051514	size
		appd	SHI JUN	051514	HWxxB0x000J0G
					A4
sheet index	revision	A			type
	sheet	1			CUSTOMER Drawing