



Chipsmall Limited consists of a professional team with an average of over 10 year of expertise in the distribution of electronic components. Based in Hongkong, we have already established firm and mutual-benefit business relationships with customers from,Europe,America and south Asia,supplying obsolete and hard-to-find components to meet their specific needs.

With the principle of "Quality Parts,Customers Priority,Honest Operation,and Considerate Service",our business mainly focus on the distribution of electronic components. Line cards we deal with include Microchip,ALPS,ROHM,Xilinx,Pulse,ON,Everlight and Freescale. Main products comprise IC,Modules,Potentiometer,IC Socket,Relay,Connector.Our parts cover such applications as commercial,industrial, and automotives areas.

We are looking forward to setting up business relationship with you and hope to provide you with the best service and solution. Let us make a better world for our industry!



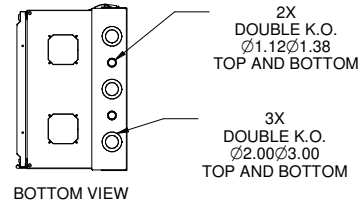
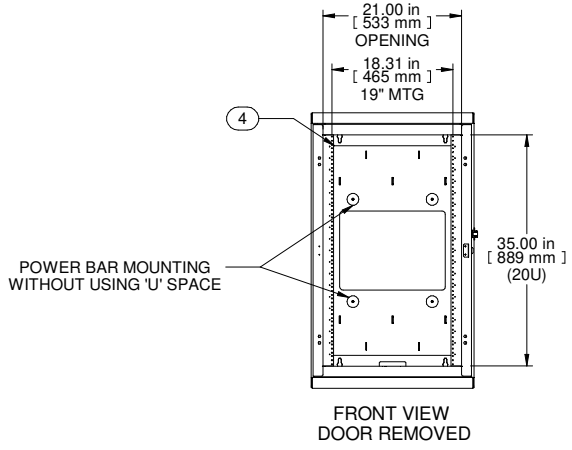
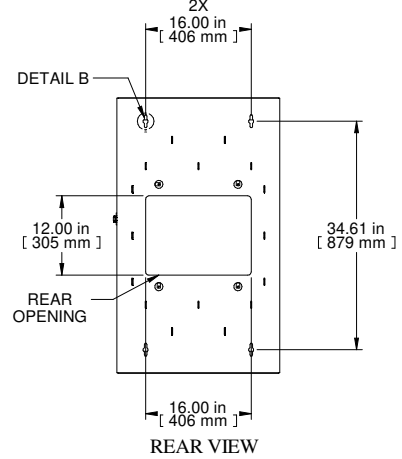
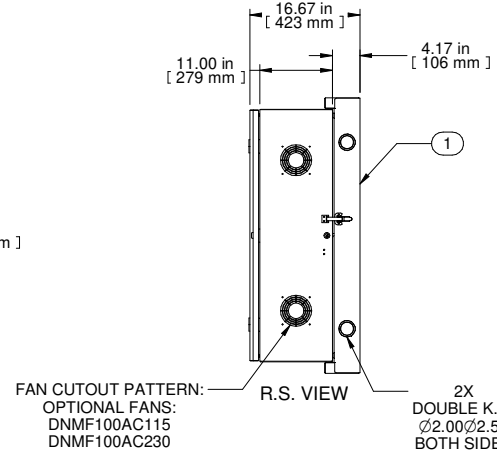
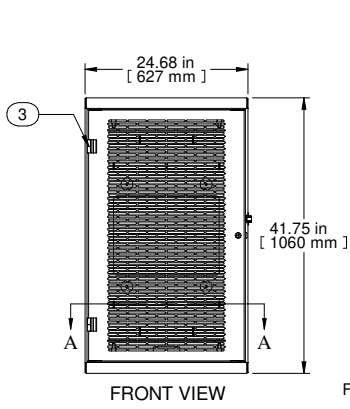
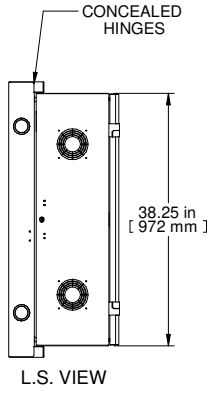
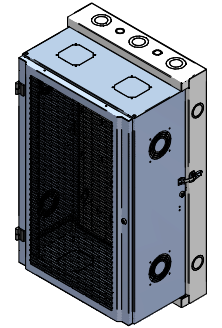
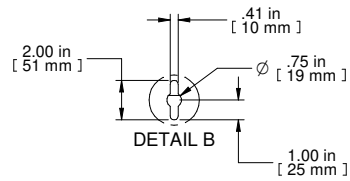
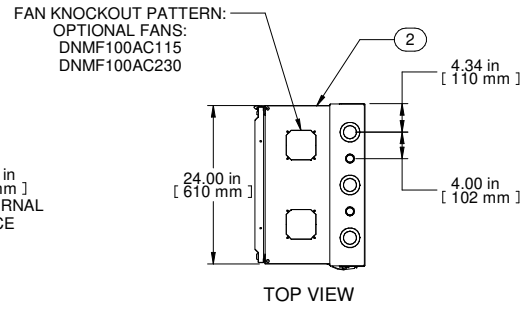
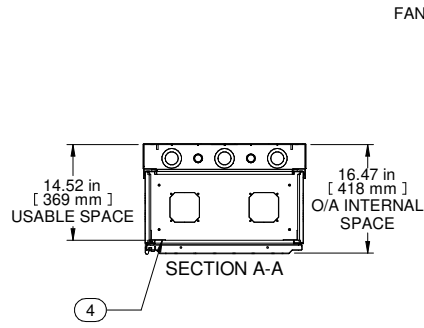
## Contact us

Tel: +86-755-8981 8866 Fax: +86-755-8427 6832

Email & Skype: info@chipsmall.com Web: www.chipsmall.com

Address: A1208, Overseas Decoration Building, #122 Zhenhua RD., Futian, Shenzhen, China





Item Number	Title	Quantity
1	HWM - REAR MOUNT ASSY	1
2	HWM - CENTRE SECTION	1
3	HWM - VENTED DOOR ASSY	1
4	19" TAPPED PANEL RAILS (PAIR)	1

PART NUMBERS		
HWM2420U11BK	PAINTED BLACK SAND TEXTURED	
	VENTED FRONT DOOR	

**NOTES**  
See Hammond Website for Additional Accessories

**Français**  
Pour tous les détails sur nos produits, svp veuillez consulter notre site [www.hammondmfg.com](http://www.hammondmfg.com)  
Data subject to change without notice. Isometric drawing not to scale. Les données sont sujettes à changement sans préavis.

**HAMMOND MANUFACTURING.**  
[www.hammondmfg.com](http://www.hammondmfg.com)

**PART NO. HWM2420U11BK**