



Chipsmall Limited consists of a professional team with an average of over 10 year of expertise in the distribution of electronic components. Based in Hongkong, we have already established firm and mutual-benefit business relationships with customers from,Europe,America and south Asia,supplying obsolete and hard-to-find components to meet their specific needs.

With the principle of “Quality Parts,Customers Priority,Honest Operation,and Considerate Service”,our business mainly focus on the distribution of electronic components. Line cards we deal with include Microchip,ALPS,ROHM,Xilinx,Pulse,ON,Everlight and Freescale. Main products comprise IC,Modules,Potentiometer,IC Socket,Relay,Connector.Our parts cover such applications as commercial,industrial, and automotives areas.

We are looking forward to setting up business relationship with you and hope to provide you with the best service and solution. Let us make a better world for our industry!



Contact us

Tel: +86-755-8981 8866 Fax: +86-755-8427 6832

Email & Skype: info@chipsmall.com Web: www.chipsmall.com

Address: A1208, Overseas Decoration Building, #122 Zhenhua RD., Futian, Shenzhen, China



Product Information

HWRD300 Series

802.11b/g/n Long Range Industrial Access Point



Features

- ❖ 128MB System Memory
- ❖ 16MB NOR Flash
- ❖ On-board 2.4GHz max 23dBm output power (per chain)
- ❖ IEEE 802.11n compliant & backward compatible with 802.11b/g
- ❖ 2 x 2 On-board radio up to 300Mbps physical data rate
- ❖ 2 x FE LAN RJ45 with Auto MDI/X
- ❖ Passive 24V Power Over Ethernet
- ❖ Integrated 48V IEEE 802.3af available as Option

Applications

- Dual Band, Dual Concurrent AP
- 802.11b/g/n+802.11a/n/ac AP
- Point to Point and Point to Multi-Point Wireless Bridge
- Wireless Base Station
- Wireless Customer-Premises Equipment (CPE)
- Support for Third Party 3G/LTE Radio Module

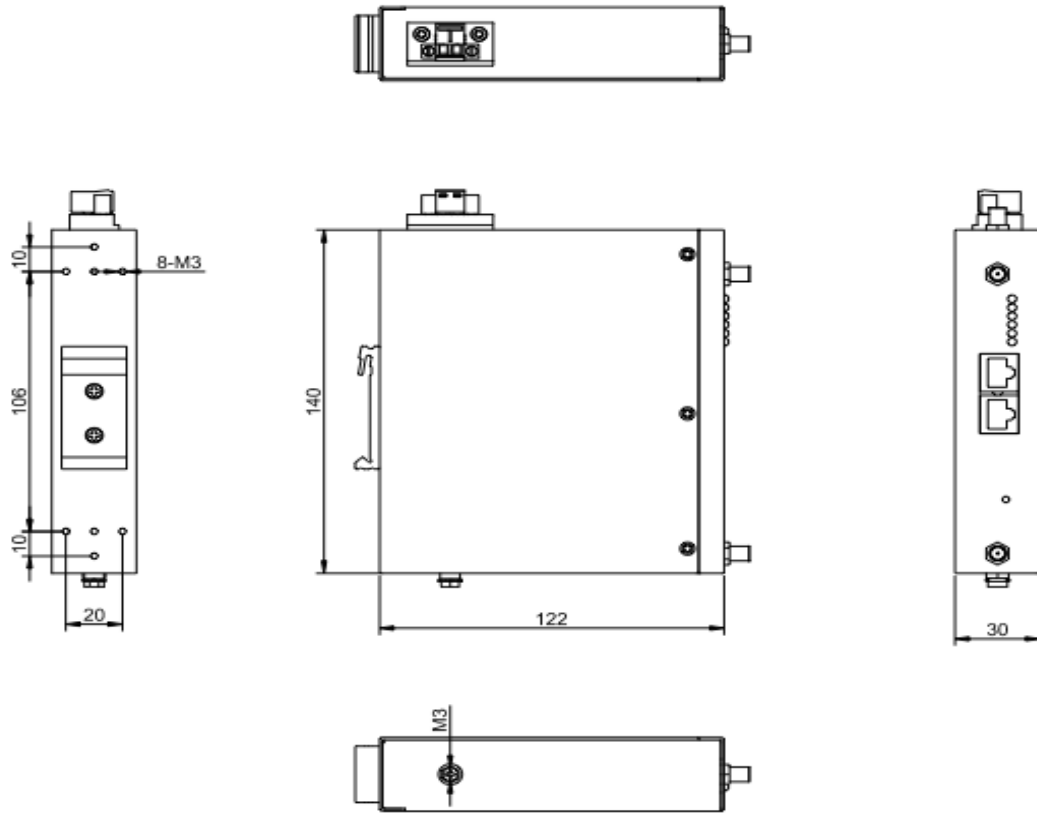
Specifications

System Memory	128MB DDR2
NOR Flash	16MB
Wireless	Built in 2.4GHz 802.11b/g/n at 26dBm (aggregate) 2x U.FL connectors
Interface	2x Fast Ethernet Port (Auto MDI-X) 1x JTAG 14 Pin Connector1 1x Serial Port 4 Pin Connector2
Reset Button	Yes
LED	6x LED Indicators
Power over Ethernet	Passive PoE 24V (LV version), IEEE 802.3af/at or Passive PoE 36-56V (HV version)
DC Power	1x DC Jack Connector: 12-24V (LV version), 24-56V (HV version)
Power Consumption	6.9 Watt (Max)
Certification	FCC & CE Certification, RoHS Compliance
Environmental	Temperature: Operating: Operating: -20~70°C, Storage: -40~90°C, Humidity (non-condensing): Operating: 5% to 95%, Storage: Max. 90%
Other Features	Surge Suppressor, Watchdog Timer

RF Performance Table

	Data Rate	TX Power (per chain)	TX Power (2 chains)	Tolerance		Data Rate	RX Sensitivity	Tolerance
2.4GHz 802.11b	1Mbps	23dBm	26dBm	±2dB	2.4GHz 802.11b	1Mbps	-94dBm	±2dB
	2Mbps	23dBm	26dBm	±2dB		2Mbps	-92dBm	±2dB
	5.5Mbps	23dBm	26dBm	±2dB		5.5Mbps	-90dBm	±2dB
	11Mbps	23dBm	26dBm	±2dB		11Mbps	-89dBm	±2dB
	6Mbps	23dBm	26dBm	±2dB		6Mbps	-95dBm	±2dB
	9Mbps	23dBm	26dBm	±2dB		9Mbps	-94dBm	±2dB
	12Mbps	23dBm	26dBm	±2dB		12Mbps	-94dBm	±2dB
	18Mbps	23dBm	26dBm	±2dB		18Mbps	-93dBm	±2dB
2.4GHz 802.11g	24Mbps	23dBm	26dBm	±2dB	2.4GHz 802.11g	24Mbps	-90dBm	±2dB
	36Mbps	21dBm	24dBm	±2dB		36Mbps	-85dBm	±2dB
	48Mbps	20dBm	23dBm	±2dB		48Mbps	-79dBm	±2dB
	54Mbps	19dBm	22dBm	±2dB		54Mbps	-75dBm	±2dB
	MCS 0	22dBm	25dBm	±2dB		MCS 0	-94dBm	±2dB
	MCS 1	21dBm	24dBm	±2dB		MCS 1	-93dBm	±2dB
	MCS 2	21dBm	24dBm	±2dB		MCS 2	-90dBm	±2dB
	MCS 3	21dBm	24dBm	±2dB		MCS 3	-87dBm	±2dB
2.4GHz 802.11n HT20	MCS 4	20dBm	23dBm	±2dB	2.4GHz 802.11n HT20	MCS 4	-84dBm	±2dB
	MCS 5	19dBm	22dBm	±2dB		MCS 5	-79dBm	±2dB
	MCS 6	18dBm	21dBm	±2dB		MCS 6	-79dBm	±2dB
	MCS 7	17dBm	20dBm	±2dB		MCS 7	-75dBm	±2dB
	MCS 0	22dBm	25dBm	±2dB		MCS 0	-88dBm	±2dB
	MCS 1	21dBm	24dBm	±2dB		MCS 1	-87dBm	±2dB
	MCS 2	21dBm	24dBm	±2dB		MCS 2	-85dBm	±2dB
	MCS 3	21dBm	24dBm	±2dB		MCS 3	-83dBm	±2dB
2.4GHz 802.11n HT40	MCS 4	20dBm	23dBm	±2dB	2.4GHz 802.11n HT40	MCS 4	-80dBm	±2dB
	MCS 5	19dBm	22dBm	±2dB		MCS 5	-76dBm	±2dB
	MCS 6	18dBm	21dBm	±2dB		MCS 6	-73dBm	±2dB
	MCS 7	17dBm	20dBm	±2dB		MCS 7	-70dBm	±2dB

Dimension Drawings



Units:mm

Ordering Information

HWRD300	2.4G Single Channel 23dBm (11b/g/n), -20~70°C operating temperature
---------	---